



# WASHOE COUNTY

*Integrity Communication Service*

[www.washoecounty.us](http://www.washoecounty.us)

## STAFF REPORT

**BOARD MEETING DATE: July 20, 2021**

**DATE:** June 9, 2021

**TO:** Board of County Commissioners

**FROM:** Dan Cahalane, Planner, Planning and Building Division, Community Services Department, 328-3628, [dcahalane@washoecounty.us](mailto:dcahalane@washoecounty.us)

**THROUGH:** Mojra Hauenstein, Arch., Planner, Division Director, Planning & Building, Community Services Dept., 328-3619, [mhauenstein@washoecounty.us](mailto:mhauenstein@washoecounty.us)

**SUBJECT:** Public Hearing: Second reading and adoption of an ordinance amending the Washoe County Code at Chapter 110 (Development Code) within Articles 304 and 902 by amending various definitions in order to better define the Continuum of Care Facility use type as a commercial use type; clarify that the application of residential density does not apply to Continuum of Care Facilities; specifically exempt Continuum of Care Facilities from the definition of “dwelling” and “dwelling unit”; and create a definition for Continuum of Care Unit; and other matters necessarily connected therewith and pertaining thereto. (All Commission Districts.)

---

### **SUMMARY**

The Washoe County Board of County Commissioners (Board) is asked to hold the second reading and adoption of an ordinance amending the Washoe County Code Chapter 110 (Development Code) within Articles 304 and 902 by amending various definitions in order to better define the Continuum of Care Facility use type as a commercial use type; clarify that the application of residential density does not apply to Continuum of Care Facilities; specifically exempt Continuum of Care Facilities from the definition of “dwelling” and “dwelling unit”; and create a definition for Continuum of Care Unit.

Washoe County Strategic Objective supported by this item: Stewardship of our community.

### **PREVIOUS ACTION**

On June 8, 2021, the Board held the first reading of an ordinance (Bill no. 1859) amending the Washoe County Code Chapter 110 (Development Code) within Articles 304 and 902 by amending various definitions in order to better define the Continuum of Care Facility use type as a commercial use type; clarify that the application of residential density does not apply to Continuum of Care Facilities; specifically exempt Continuum of Care Facilities from the definition of “dwelling” and “dwelling unit”; and create a definition for Continuum of Care Unit; and set the public hearing for second reading and possible adoption of the ordinance for July 13, 2021. The meeting was postponed to July 20, 2021.

**AGENDA ITEM # \_\_\_\_\_**

On May 4, 2021, the Washoe County Planning Commission (PC) reviewed the proposed changes to Washoe County Code Chapter 110, Articles 304 and 902, and voted unanimously to recommend approval of Development Code Amendment WDCA21-0003 with no modifications.

On March 10, 2021, staff conducted a neighborhood meeting to solicit public feedback on the proposed language.

### **BACKGROUND**

Washoe County is experiencing increased demand for Continuum of Care Facilities use types. However, the increased demand has revealed contradictions between the residential densities allowed in regulatory zones where the Continuum of Care Facilities use type is permissible with an approved Special Use Permit.

The proposed development code amendment rectifies this contradiction by clarifying the definition of Continuum of Care Facilities use types and the application of residential density to commercial use types.

### **Proposed Amendments**

The proposed code amendments for Chapter 110 (Development Code), Articles 304 and 902, have been provided in Attachment A and is summarized below:

#### Article 304 Use Classification System:

- Removal of residential density from the definition of Continuum of Care Facilities, Seniors.
- Specifying the commercial nature of Continuum of Care Facilities and the types of services that a facility must have to be classified as a Continuum of Care Facility.

#### Article 902 Definitions:

- Clarification that “Density” and “Residential Density” is applicable strictly to residential use types.
- Exclusion of Continuum of Care facilities from the definition of “Dwelling”.
- Clarification that the definition of “Dwelling Units” is applicable strictly to residential use types.
- Defining Continuum of Care Unit for use of regulating this activity.

### **FISCAL IMPACT**

No fiscal impact.

### **RECOMMENDATION**

It is recommended that the Board conduct a second reading and adopt the ordinance as provided as Attachment A.

### **POSSIBLE MOTION**

Should the Board agree with staff's recommendation, a possible motion would be:

“Move to adopt Ordinance Number (*insert ordinance number as provided by the County Clerk*) which sets forth an ordinance amending the Washoe County Code at Chapter 110 (Development Code) within Articles 304 and 902 by amending various definitions in order to better define the Continuum of Care Facility use type as a commercial use type; clarify that the application of residential density does not apply to Continuum of Care Facilities; specifically exempt Continuum of Care Facilities from the definition of “dwelling” and “dwelling unit”; and create a definition for Continuum of Care Unit; and other matters necessarily connected therewith and pertaining thereto.”

Attachments:

- A. Draft Ordinance (Working Copy)
- B. Draft Minutes of May 4, 2021 Planning Commission Meeting
- C. Planning Commission Signed Resolution 21-04
- D. Planning Commission Staff Report and Attachments for WDCA21-0003
- E. Draft Ordinance (Clean Copy)

DRAFT: April 20, 2021

WORKING COPY  
INFORMATION ONLY

REGULAR TEXT: NO CHANGE IN LANGUAGE

~~STRIKEOUT TEXT: DELETE LANGUAGE~~

**UNDERLINE TEXT: NEW LANGUAGE**

\*\*\*\*\*

Notice: Per NRS 239B.030, this document does not contain personal information as defined in NRS 603A.040

**Summary: AMENDS WASHOE COUNTY CODE CHAPTER 110 (DEVELOPMENT CODE) ARTICLES 304 AND 902 TO BETTER DEFINE THE CONTINUUM OF CARE USE TYPE**

BILL NO. \_\_\_\_\_

ORDINANCE NO. \_\_\_\_\_

Title:

An ordinance amending the Washoe County Code at Chapter 110 (Development Code) within Articles 304 and 902 by amending various definitions in order to better define the Continuum of Care Facility use type as a commercial use type; clarify that the application of residential density does not apply to Continuum of Care Facilities; specifically exempt Continuum of Care Facilities from the definition of "dwelling" and "dwelling unit"; and create a definition for Continuum of Care Unit; and other matters necessarily connected therewith and pertaining thereto.

WHEREAS:

- A. This Commission desires to amend Articles 304 and 902 of the Washoe County Development Code (Chapter 110) in order to better define the Continuum of Care Facility use type as a commercial use type, clarify that the application of residential density does not apply to Continuum of Care Facilities, and better define "dwelling," "dwelling unit" and "continuum of care unit."

**DRAFT: April 20, 2021**

- B. The Washoe County Planning Commission initiated the proposed amendments to Washoe County Code Chapter 110, Development Code, by Resolution Number 21-04 on May 4, 2021; and
- C. The amendments and this ordinance were drafted in concert with the District Attorney, and the Planning Commission held a duly noticed public hearing for WDCA21-0003 on May 4, 2021, and adopted Resolution Number 21-04 recommending adoption of this ordinance; and
- D. Following a first reading and publication as required by NRS 244.100(1), and after a duly noticed public hearing, this Commission desires to adopt this Ordinance; and
- E. This Commission has determined that this ordinance is being adopted pursuant to requirements set forth in Chapter 278 of NRS, therefore it is not a "rule" as defined in NRS 237.060 requiring a business impact statement.

THE BOARD OF COUNTY COMMISSIONERS OF WASHOE COUNTY DOES HEREBY ORDAIN:

SECTION 1. Article 304 of the Development Code, Chapter 110 of the Washoe County Code, is hereby amended as follows:

## *Article 304*

# ***USE CLASSIFICATION SYSTEM***

---

### **Sections:**

<b>110.304.00</b>	<b>Purpose</b>
<b>110.304.05</b>	<b>Classification Rules</b>
<b>110.304.10</b>	<b>Authority and Responsibility</b>
<b>110.304.15</b>	<b>Residential Use Types</b>
<b>110.304.20</b>	<b>Civic Use Types</b>
<b>110.304.25</b>	<b>Commercial Use Types</b>
<b>110.304.30</b>	<b>Industrial Use Types</b>
<b>110.304.35</b>	<b>Agricultural Use Types</b>

DRAFT: April 20, 2021

**Section 110.304.00 Purpose.** The purpose of this article, Article 304, Use Classification System, is to classify uses according to a limited number of use types on the basis of common functional, product or compatibility characteristics, thereby providing a basis for regulation of uses in accordance with criteria which are directly relevant to the public interest. These provisions shall apply throughout the Development Code.

**Section 110.304.05 Classification Rules.** Uses will be classified into use types based upon the descriptions in Section 110.304.15 through Section 110.304.35, inclusive. The classifications shall comply with the provisions of this section.

- (a) Types of Uses Regulated. Only principal uses are included within the use classification system. Accessory uses and temporary uses are regulated by Article 306, Accessory Uses and Structures, and Article 310, Temporary Uses and Structures, respectively.
- (b) Typical Uses within Use Types. The description of the use types in this article often contain usual and customary uses classified within that use type. These usual and customary uses are examples and are not meant to include all uses that may properly be classified within the use type.
- (c) Classifying New Uses. New uses shall be classified into use types based upon the description of the use types and upon characteristics similar to other uses already classified within the use type, subject to the applicable provisions of subsection (d) of the section. The North American Industry Classification System shall be used to help define new uses when deemed appropriate by the Director of Community Development.
- (d) Classifying Several Uses on the Same Parcel. The principal uses conducted on a single parcel shall be classified separately.

*[Amended by Ord. 875, provisions eff. 8/3/93; Ord. 1433, provisions eff. 3/5/10.]*

**Section 110.304.10 Authority and Responsibility.** The Director of Community Development shall have the following authority and responsibilities with respect to the use classification system:

- (a) Classifying Uses. The Director of Community Development shall have the authority to classify uses according to use types or to determine that a use does not fit under any use type and, therefore, is not permitted. The classification of a use is an administrative decision without notice and hearing, except that an applicant can appeal the decision pursuant to Article 808, Administrative Permits.
- (b) List of Uses. The Director of Community Development shall develop and maintain an administrative list of common uses and the use types into which they are classified.

**Section 110.304.15 Residential Use Types.** Residential use types include the occupancy of living accommodations on a wholly or primarily non-transient basis but exclude institutional living arrangements providing twenty-four-hour skilled nursing or medical care and those providing forced residence, such as asylums and prisons.

- (a) Family Residential. The family residential use type refers to the occupancy of living quarters by one (1) or more families. The following are family residential use types:
  - (1) Attached Accessory Dwelling Unit. An attached accessory dwelling unit is a portion of or an addition to a single family main dwelling that has been designed or configured to be used as a separate and independent dwelling unit. An attached accessory dwelling unit includes, at a minimum, permanent kitchen and

DRAFT: April 20, 2021

bathroom (i.e. a toilet) facilities, but may also include living, sleeping, and eating facilities, all separated from the main unit by walls or ceilings and accessed through a lockable exterior or interior door. The attached accessory dwelling unit shall not exceed forty (40) percent of the total square footage of the main dwelling unit or 1,000 square feet, whichever is smaller. The square footage of garages, crawl spaces, cellars, attics, or basements not designed for human occupancy shall not be included when calculating the total square footage of the main dwelling unit, unless such areas have been legally converted into habitable space. An attached accessory dwelling may be created by converting part of, or adding on to, an existing single family main dwelling. To be considered attached, the accessory dwelling unit must abut (i.e. be on the opposite side of a wall or ceiling) the habitable space of the main dwelling, or the ceiling of a garage attached to the main dwelling. Incidental and accessory features such as trellises, decks, patios, breezeways, or tool sheds will not be considered as establishing an attached structure/dwelling. Typical uses include guest rooms, guest apartments and "granny flats."

- (2) Detached Accessory Dwelling Unit. A detached accessory dwelling unit refers to a dwelling unit on the same lot as the main dwelling unit, but which is physically separated from the main dwelling unit. A detached accessory dwelling unit is designed and configured to provide independent living facilities for one or more persons, and includes, at a minimum, permanent kitchen and bathroom (i.e. a toilet) facilities, but which may also include living, sleeping, and eating facilities. Except in the Medium Density Suburban (MDS) Regulatory Zone, a detached accessory dwelling unit shall not exceed fifteen hundred (1,500) square feet or fifty (50) percent of the total square footage of the main dwelling unit, whichever is smaller. In the Medium Density Suburban (MDS) Regulatory Zone, the detached accessory dwelling unit shall not exceed eight hundred (800) square feet or fifty (50) percent of the total square footage of the main dwelling unit, whichever is smaller. The square footage of garages, crawl spaces, cellars, attics, or basements not designed for human occupancy shall not be included when calculating the total square footage of the main dwelling unit, unless such areas have been legally converted into habitable space. Typical uses include guest houses, second units, "granny flats" and caretaker's quarters.
- (3) Detached Accessory Structure. A detached accessory structure refers to a building or structure on the same lot as the main residential structure and devoted to a use incidental to that main residential structure. A detached accessory structure is not designed, configured, or used for human habitation. The detached accessory structure may be connected to water and wastewater systems subject to the recordation of a deed restriction prohibiting the use of the structure as a dwelling unit. Installation of both a kitchen (as defined in Article 902) and a toilet in a detached accessory structure shall render the structure as a dwelling unit and subject to the accessory dwelling unit provisions. Typical uses include storage buildings and sheds, barns and detached garages.
- (4) Duplex. Duplex refers to the use of a parcel for two (2) dwelling units in a single structure.
- (5) Multi-Family. Multi-family refers to the use of a parcel for three (3) or more dwelling units within one (1) or more buildings, including condominium developments.

DRAFT: April 20, 2021

- (6) Single Family, Attached. Single family, attached refers to two (2) or more dwelling units constructed with a common or abutting wall with each located on its own separate parcel.
- (7) Single Family, Detached. Single family, detached refers to the use of a parcel for only one (1) dwelling unit.
- (b) Manufactured Home Parks. Manufactured home parks use type refers to the occupancy of a dwelling unit defined as a mobile home or a manufactured home and which is located in a site defined as a manufactured home park.
- (c) Group Home. Group home use type refers to the occupancy of a single family dwelling by and the care for a group of ten (10) or fewer persons on a weekly or longer basis who are not defined as a family. The number of persons who reside in a group home excludes any caregivers and their family who also reside in the single family residence.
  - (1) This term includes specifically the following uses:
    - (i) Residential facility for groups; or
    - (ii) Home for individual residential care;
    - (iii) Halfway house for recovering alcohol or drug abusers;
    - (iv) Group foster home.
  - (2) The term group home does not include a child care institution or a facility for transitional living for released offenders.

*[Amended by Ord. 875, provisions eff. 8/3/93; Ord. 959, provisions eff. 7/26/96; Ord. 1088, provisions eff. 1/28/00; Ord. 1156, provisions eff. 3/22/02; Ord. 1451, provisions eff. 1/1/11; Ord. 1485, provisions eff. 3/27/12.]*

**Section 110.304.20 Civic Use Types.** Civic use types include the performance of utility, educational, cultural, medical, protective, governmental and other uses which are strongly vested with public or social importance.

- (a) Administrative Services. Administrative services use type refers to consulting, record keeping, clerical or public contact services that deal directly with the citizen, together with incidental storage of necessary equipment and vehicles.
- (b) Child Care. Child care use type refers to the use of a building or a portion thereof for the daytime care of individuals under eighteen (18) years of age. Child care use types are subject to the regulations and permission of the Washoe County Department of Social Services. This use type includes nursery schools, preschools, daycare centers and similar uses, but excludes those classified under education. The following are child care use types:
  - (1) Family Daycare. Family daycare refers to daycare services provided for six (6) or fewer full-time children, including those of the child care facility licensee who are under the age of seven (7) years, except that care may also be provided for up to three (3) additional part-time children for three (3) hours before school and three (3) hours after school, but only during periods when schools are in session, subject to the regulations and permission of the Washoe County Department of Social Services.



DRAFT: April 20, 2021

- (2) Large-Family Daycare. Large-family daycare refers to daycare services provided for more than six (6) full-time children, including those of the child care facility licensee who are under the age of seven (7) years.
- (3) Child Daycare. Child daycare refers to services providing non-medical care to any number of children in need of personal services or supervision, on less than a twenty-four (24) hour basis, but excluding services provided in a private dwelling.
- (c) Community Center. Community center use type refers to recreational, social or multi-purpose uses within buildings with no fixed seats and occupancy limited to five hundred (500) or fewer. Typical uses include public or private, non-commercial clubs.
- (d) Community Garden. Community garden use type refers to an area of land managed and maintained by a group to grow and harvest food crops, non-food crops (such as native plants), or ornamental crops (such as flowers), for personal or group use, consumption, or donation. Commercial sale of any crops produced in the community garden is prohibited. A community garden may be established in any regulatory zone subject to the following conditions:
  - (1) A signed affidavit shall be submitted to the division stating that the property owners, or the owners designated agent, agree to the proposed use. All liability considerations are the responsibility of the property owner and the users of the property.
  - (2) A site plan shall be submitted to the division showing the areas to be cultivated, the location of any structures associated with the use, access points, how and where water will be obtained, and parking locations (if applicable).
  - (3) Structures smaller than or equal to two-hundred (200) square feet may be established on-site to support operation and maintenance of the community garden, provided they are located at least five (5) feet from any property line, do not block any easements, and do not impede sight visibility from or onto public streets. All tools, equipment, chemicals, or fertilizers stored on site shall be within a locked structure.
  - (4) Activities at the garden site shall be limited to daylight hours. The use of motorized equipment is limited to the hours of 8 a.m. to 5 p.m. No exterior lighting or illumination shall occur.
  - (5) Once all outdoor crops have been harvested for the current growing season, the area utilized shall be cleaned of any dead vegetation or supporting materials within thirty (30) days of the final harvest or by November 15, whichever comes first. Tilling of the dead vegetation back into the soil is allowed and meets this requirement.
- (e) Convalescent Services. Convalescent services use type refers to provision of bed care and in-patient services for persons requiring regular medical attention, but excludes a facility providing surgical or emergency medical services and a facility providing care for alcohol or drug addiction.
- (f) Cultural and Library Services. Cultural and library services use type refers to non-profit, museum-like preservation and exhibition of objects of permanent interest in one or more of the arts and sciences, gallery exhibition of works of art or library collection of books, manuscripts, etc., for study and reading.
- (g) Education. Education use type refers to educational services provided by public, private or parochial institutions, but excludes uses classified under commercial education services. Typical

**DRAFT: April 20, 2021**

uses include elementary, junior high, and senior high schools, and junior colleges. Curriculum must be approved by the State Department of Education. This use type does not refer to home schooling of children who live on-site.

- (1) Private School Facilities. Private School Facilities use type refers to educational services for the education of the children of the community that are funded primarily by means other than tax revenue.
  - (2) Public School Facilities. Public School Facilities use type refers to educational services for the education of the children of the community that are funded primarily with tax revenue.
- (h) Group Care Facility. Group care facility use type refers to an establishment that provides housing and living environment on a weekly or longer basis, for a group of persons not defined as a family or a group home. These facilities may provide life skill training, living assistance and supervised care service, but excludes medical treatment or uses classified under hospital services. This term includes specifically the following types of uses:
- (1) Child Care Institution;
  - (2) Facility for transitional living for released offenders;
  - (3) Group home use types which accommodate more persons that permitted as a group home.
- (i) Hospital Services. Hospital services use type refers to medical, psychiatric or surgical services for sick or injured persons primarily on an in-patient basis, including ancillary facilities for out-patient and emergency medical services, diagnostic services, training, research, administration and services to patients, employees or visitors.
- (j) Major Services and Utilities.
- (1) Utility Services. Utility services use type refers to the provision of electricity, water or other liquids, or gas, through wires, pipes or ditches through utility services involving major structures that have flexibility in location. Typical uses include natural gas transmission lines and substations, petroleum pipelines, and irrigation water ditches.
  - (2) Major Public Facilities. Major public facilities use type refers to public facilities that provide a significant service and have a substantial impact on the community. Typical uses are sanitary landfills, airports, and detention and correction facilities.
- (k) Nature Center. Nature center use type refers to an area set aside for the public viewing and display of indigenous or exotic wildlife and/or indigenous or exotic plant life on either a for-profit or non-profit basis in a structured setting. Typical uses include zoos, wildlife sanctuaries, arboretums and gardens.
- (l) Parks and Recreation. Parks and recreation use type refers to publicly owned parks or private not for profit recreation facilities and open space facilities within the recreation areas. These may be operated by a concessionaire. The following are park and recreation use types:
- (1) Active Recreation. Active recreation refers to public park recreational uses that may have a potential impact on the area or adjacent land uses. Uses include

DRAFT: April 20, 2021

participant sports and developed family recreational areas. Typical uses include group picnicking, tennis courts, swimming pools, softball diamonds, group campgrounds, and community centers operated by a public entity.

- (2) Passive Recreation. Passive recreation refers to public park recreational uses that have no or a minimal impact on the area and adjacent land uses. Uses include hiking, nature study, wildlife refuge, fishing and viewing. No active uses, such as group picnicking, camping and sporting activities, are included.
- (m) Postal Services. Postal services use type refers to mailing services, excluding major processing, as provided by the United States Postal Service, including branch post offices and public and private facilities.
- (n) Public Parking Services. Public parking services use type refers to parking services involving building and lots which may be privately and/or publicly owned and operated and is assigned to meet a parking demand. Commercial parking is that which is not designated for any identified use.
- (o) Public Service Yard. Public service yard use type refers to the use of a property operated by a governmental agency for the purposes of storing equipment and materials and includes ancillary office and meeting space for public service projects. A public service yard is limited to operations involving public road construction, road maintenance, snow removal and operations supporting public parks construction and maintenance.
- (p) Religious Assembly. Religious assembly use type refers to religious services involving public assembly such as customarily occurs in synagogues, temples and churches.
- (q) Safety Services. Safety services use type refers to public safety and emergency services, including police and fire protection services, and emergency medical and ambulance services.

*[Amended by Ord. 875, provisions eff. 8/3/93; Ord. 895, provisions eff. 1/24/94; Ord. 1023, provisions eff. 7/1/98; Ord. 1088, provisions eff. 1/28/00; Ord. 1156, provisions eff. 3/22/02; Ord. 1368, provisions eff. 6/20/08; Ord. 1433, provisions eff. 3/5/10; Ord. 1485, provisions eff. 3/27/12; Ord. 1540, provisions eff. 9/5/14; Ord. 1623, provisions eff. 9/21/18.]*

**Section 110.304.25 Commercial Use Types.** Commercial use types include the distribution and sale or rental of goods, and the provision of services other than those classified as civic or industrial use types. All permanent commercial uses are required to operate from a commercial structure.

- (a) Administrative Offices. Administrative offices use type refers to offices or private firms or organizations which are primarily used for the provision of executive, management or administrative services. Typical uses include administrative offices and services including travel, secretarial services, telephone answering, photo-copying and reproduction, and business offices of public utilities, organizations and associations, or other use classifications when the service rendered is that customarily associated with administrative office services.
- (b) Adult Characterized Business. Adult characterized business use type refers to uses defined in Washoe County Code, Chapter 25.
- (c) Animal Sales and Services. Animal sales and services use type refers to establishments or places of business primarily engaged in animal-related sales and services. Animals kept as domestic pets or as accessory uses to a residential use are regulated by the

DRAFT: April 20, 2021

accessory use provisions of Article 330, Domestic Pets and Livestock. The following are animal sales and services use types:

- (1) Commercial Kennels. Commercial kennels refers to kennel services for dogs, cats and similar animals. Typical uses include commercial animal breeding with four (4) or more animals (dogs), boarding kennels, pet motels, or dog training centers. Commercial kennels require a parcel size minimum of two-and-one-half (2.5) acres regardless of the regulatory zone within which it is located.
  - (2) Commercial Stables. Commercial stables refers to boarding or raising of three (3) or more horses, but excludes horses used primarily for agricultural operations which are classified under animal production. Typical uses include commercial stables, riding clubs and riding instruction facilities.
  - (3) Grooming and Pet Stores. Grooming and pet stores refers to grooming or selling of dogs, cats and similar small animals. Typical uses include dog bathing and clipping salons, pet grooming shops, or pet stores and shops.
  - (4) Pet Cemeteries. Pet cemeteries refers to services involving the preparation of dead animals for burial and the keeping of animal bodies on cemetery grounds as well as cremation of dead animals. Regardless of the regulatory zone in which it is located, a pet cemetery must be located on a parcel at least two-and-one-half (2.5) acres in size. Cremation of dead animals shall take place in an area designated only for the cremation of pets and which complies with any applicable federal or state statute or regulation or local ordinance.
  - (5) Veterinary Services, Agricultural. Veterinary services, agricultural refers to veterinary services specializing in the care and treatment of large animals. Veterinary services for small animals including pet clinics, dog and cat hospitals, or animal hospitals may be included to provide full veterinary services. Veterinary services, agriculture requires a parcel size minimum of two-and-one-half (2.5) acres regardless of the regulatory zone within which it is located. Typical uses include veterinary offices for livestock.
  - (6) Veterinary Services, Pets. Veterinary services, pets refers to veterinary services for small animals. Typical uses include pet clinics, dog and cat hospitals, or animal hospitals.
  - (7) Dog Training Services. Dog training services use type means the training of dogs with their owners or owners' designee, where both owner and dog participate in dog training classes.
- (d) Automotive and Equipment. Automotive and equipment use type refers to establishments or places of business primarily engaged in automotive-related or heavy equipment sales or services. The following are automotive and equipment use types:
- (1) Automotive Repair. Automotive repair refers to repair of automobiles and the sale, installation and servicing of automobile equipment and parts. Typical uses include muffler shops, automobile repair garages or automobile glass shops.
  - (2) Automotive Sales and Rentals. Automotive sales and rentals refers to on-site sales and/or rentals of automobiles, non-commercial trucks, motorcycles, motor homes and trailers together with incidental maintenance. Typical uses include

DRAFT: April 20, 2021

automobile dealers, car rental agencies, or recreational vehicle sales and rental agencies.

- (3) Cleaning. Cleaning refers to washing and polishing of automobiles. Typical uses include automobile laundries or car washes.
  - (4) Commercial Parking. Commercial parking refers to parking of operable motor vehicles on a temporary basis within a privately owned off-street parking area with or without a fee. Commercial parking is that which is not designated for any identified use. Typical uses include commercial parking lots or garages.
  - (5) Equipment Repair and Sales. Equipment repair and sales refers to repair of motor vehicles such as aircraft, boats, recreational vehicles, trucks, etc.; the sale, installation and servicing of automobile equipment and parts; and body repair, painting and steam cleaning. Typical uses include truck transmission shops, body shops, storage of manufactured homes, motor freight maintenance groups or agricultural equipment sales.
  - (6) Fabricated Housing Sales. Fabricated housing sales refers to the sales of new and used modular housing, manufactured homes and/or mobile homes; and ancillary minor repair of modular housing, manufactured homes and/or mobile homes sold from the same location as the new or used units. Typical uses include mobile homes sales lots and minor repairs of units sold on site that do not include changes in walls and do not include changes in undercarriage plumbing or support systems.
  - (7) Storage of Operable Vehicles. Storage of operable vehicles refers to storage of operable vehicles, recreational vehicles and boat trailers. Typical uses include storage areas within personal storage facilities and storage yards for commercial vehicles.
  - (8) Truck Stops. Truck stops refers to businesses engaged in the sale of fuel and lubricants primarily for trucks, routine repair and maintenance of trucks, and associated uses such as selling food and truck accessories.
- (e) Building Maintenance Services. Building maintenance services use type refers to establishments primarily engaged in the provision of maintenance and custodial services to firms rather than individuals. Typical uses include janitorial, landscape maintenance or window cleaning services.
- (f) Commercial Centers. Commercial centers use type refers to a group of unified commercial establishments built on a site which is planned, developed, owned and managed as an operating unit. The following are commercial center use types:
- (1) Neighborhood Centers. Neighborhood centers refers to sales of convenience goods (foods, drugs and sundries) and personal services, those which meet the daily needs of an immediate neighborhood trade area. A neighborhood center typically includes convenience retail and services a population of 2,500 to 40,000 people, typically has a service area radius of one-half to one-and-one-half miles, and has a typical range of 15,000 to 50,000 square feet of gross leasable area.
  - (2) Community Centers. Community centers refers to shopping establishments containing some services of the neighborhood center plus other services providing a greater depth and range of merchandise than contained in the

DRAFT: April 20, 2021

neighborhood center. A community center may be built around a department store or a variety store as the major tenant. A community center generally serves a trade area population of 40,000 to 50,000 people, typically has a service area radius of one to three miles, and has a typical range of 50,000 to 150,000 square feet of gross leasable area.

- (3) Regional Centers. Regional centers refers to centers that provide shopping goods, general merchandise, apparel, furniture and home furnishings in full depth and variety. They usually are built around more than one department store. Typical design uses the pedestrian mall, either open or enclosed, as a connector between major anchor stores. A regional center serves as a major commercial center for the entire region and typically has more than 150,000 square feet of gross leasable area.
- (g) Commercial Educational Services. Commercial educational services use type refers to educational services provided by private institutions or individuals with the primary purpose of preparing students for jobs in trade or profession. Typical uses include business and vocational schools, music schools and hair styling schools.
- (h) Commercial Recreation. Commercial recreation use type refers to commercial establishments or places of business primarily engaged in the provision of sports, entertainment or recreation for participants or spectators. The following are commercial recreation use types:
  - (1) Commercial Campground Facilities/RV Park. Commercial campground facilities/RV park refers to areas and services for two (2) or more campsites, accommodating camping vehicles and tents, which are used by the general public as temporary living quarters for recreational purposes. Typical uses include recreational vehicle campgrounds.
  - (2) Destination Resorts. Destination resorts refers to commercial enterprises for recreation that can include lodging. Typical uses include ski resorts, dude ranches, and hunting and fishing lodges.
  - (3) Indoor Entertainment. Indoor entertainment refers to predominantly spectator uses conducted within an enclosed building. Typical uses include motion picture theaters, meeting halls and dance halls.
  - (4) Indoor Sports and Recreation. Indoor sports and recreation refers to predominantly participant sports conducted within an enclosed building. Typical uses include bowling alleys, billiard parlors, ice and roller skating rinks, indoor racquetball courts and athletic clubs.
  - (5) Limited Gaming Facilities. Limited gaming facilities refers to establishments which contains no more than fifteen (15) slot machines (and no other game or gaming device) where the operation of the slot machine is incidental to the primary business of the establishment.
  - (6) Marinas. Marinas refers to docking, storage, rental and minor repair of recreational and fishing boats. Typical uses include recreational boat marinas and boat rental establishments.
  - (7) Outdoor Entertainment. Outdoor entertainment refers to predominantly spectator-type uses conducted in open or partially enclosed or screened

DRAFT: April 20, 2021

- facilities. Typical uses include sports arenas, racing facilities and amusement parks.
- (8) Outdoor Sports and Recreation. Outdoor sports and recreation refers to predominantly participant sports conducted in open or partially enclosed or screened facilities. Typical uses include driving ranges, miniature golf courses, golf courses, swimming pools and tennis courts.
- (9) Outdoor Sports Club. Outdoor sports club refers to sports clubs using agricultural land or open space for hunting, shooting or fishing purposes. Typical uses include duck clubs, hunting clubs, skeet clubs and rifle ranges.
- (10) Unlimited Gaming Facilities. Unlimited gaming facilities refers to an establishment which contains fifteen (15) or more electronic gaming devices or operation of other gaming devices as authorized by the State of Nevada.
- (i) Communication Facilities. Communication facilities use type refers to establishments primarily engaged in the transmission and/or receiving of electromagnetic waves. Typical uses include television stations, radio stations, satellite dishes, antennas and wireless communication facilities. Refer to Article 324, Communication Facilities, for subcategories of communication facilities.
- (j) Construction Sales and Services. Construction sales and services use type refers to establishments or places of business primarily engaged in construction activities and incidental storage, as well as the retail or wholesale sale from the premises, of materials used in the construction of buildings or other structures. This use type does not include retail sales of paint, fixtures and hardware, or those uses classified as one of the automotive and equipment use types. This use type does not refer to actual construction sites. Typical uses include tool and equipment rental, or sales and building material stores.
- (k) Continuum of Care Facilities, Seniors. Continuum of care facilities for seniors use type refers to **commercial** establishments that provide ~~range~~ housing, activities and **twenty-four-hour skilled nursing or medical care** health services to allow for adults to age in place. ~~Residential density~~ **The number of continuum of care units** and parking standards shall be determined **through** in the special use permit process; ~~all~~ other development standards shall apply. Facilities may include independent living, assisted living, nursing care, and hospice care, as well as accessory housing for staff, and medical facilities and services for residents.
- (l) Convention and Meeting Facilities. Convention and meeting facilities use type refers to establishments which primarily provide convention and meeting facilities. Typical uses include convention facilities and wedding chapels.
- (m) Data Center. Data Center use type refers to establishments or places of business primarily engaged in the storage/housing of equipment, such as computers, servers, switches, routers, data storage devices, and related equipment for the purpose of storing, managing, processing, and exchanging of digital data and information.
- (n) Eating and Drinking Establishments. Eating and drinking establishments use type refers to establishments or places of business primarily engaged in the sale of prepared food and beverages for on-premises consumption, but excludes those uses classified under the liquor sales use type. The following are eating and drinking establishments use types:

DRAFT: April 20, 2021

- (1) Convenience. Convenience refers to establishments or places of business primarily engaged in the preparation and retail sale of food and beverages, have a short customer turnover rate (typically less than one hour), and may include sales of alcoholic beverages. Typical uses include drive-in and fast-food restaurants, ice cream parlors, sandwich shops and delicatessens.
- (2) Full Service. Full service refers to establishments or places of business primarily engaged in the sale of prepared food and beverages on the premises, which generally have a customer turnover rate of one hour or longer, and which include sales of alcoholic beverages at the table or at a bar as an accessory or secondary service. Typical uses include full-service restaurants.
- (o) Financial Services. Financial services use type refers to establishments primarily engaged in the provision of financial and banking services. Typical uses include banks, savings and loan institutions, loan and lending activities, and check cashing facilities.
- (p) Funeral and Interment Services. Funeral and interment services use type refers to provision of services involving the care, preparation or disposition of human dead. The following are funeral and interment services use types:
  - (1) Cemeteries. Cemeteries refers to undertaking services and services involving the keeping of bodies provided on cemetery grounds. Typical uses include crematoriums, mausoleums and columbariums.
  - (2) Undertaking. Undertaking refers to services involving the preparation of the dead for burial and arranging and managing funerals. Typical uses include funeral homes or mortuaries.
- (q) Gasoline Sales and Service Stations. Gasoline sales and service stations use type refers to retail sales of petroleum products from the premises of the establishment and incidental sale of tires, batteries, replacement items, lubricating services and minor repair services. Typical uses include automobile service stations.
- (r) Helicopter Services. Helicopter services use type refers to areas used by helicopter or steep-gradient aircraft. The following are helicopter services use types:
  - (1) Heliport. Heliport refers to areas used by helicopters or by other steep-gradient aircraft, which includes passenger and cargo facilities, maintenance and overhaul, fueling service, storage space, tie-down space, hangers and other accessory buildings, and open space.
  - (2) Helistop. Helistop refers to areas on a roof or on the ground used by helicopters or steep-gradient aircraft for the purpose of picking up or discharging passengers or cargo, but not including fueling service, maintenance or overhaul.
- (s) Liquor Manufacturing. Liquor manufacturing refers to the brewing, distillation, making, and/or manufacture of intoxicating liquors on the premises of the establishment. The resulting liquor products may be sold at retail to the public for on-site consumption and/or for off-site consumption. The liquor products may also be sold to licensed importer and/or wholesaler liquor dealers, with or without sales to the public. Liquor manufacturing may be in conjunction with another commercial use type, such as a full service eating and drinking establishment. Typical uses include brew pubs, breweries, craft distilleries, and wine makers.



DRAFT: April 20, 2021

- (t) Liquor Sales. Liquor sales use type refers to retail sales of alcoholic beverages, as defined in Chapter 30 of County Code (Intoxicating Liquor and Gaming Licenses and Regulations), to the public. The following are liquor sales use types:
- (1) Off-Premises. Off-premises refers to the retail sale of alcoholic beverages to the public for off-site consumption, but excludes uses classified under the retail sales use type. Typical uses include stores that sell packaged liquor.
  - (2) On-Premises. On-premises refers to the retail sale of alcoholic beverages to the public for on-site consumption, but excludes uses classified under the eating and drinking establishments use type. Typical uses include bars, taverns, cabarets, and casino service bars.
- (u) Lodging Services. Lodging services use type refers to establishments primarily engaged in the provision of lodging on a less-than-weekly basis within incidental food, drink, and other sales and services intended for the convenience of guests, but excludes those classified under residential group home and commercial recreation. The following are lodging services use types:
- (1) Bed and Breakfast Inns. Bed and breakfast inns refers to single family dwellings with guest rooms (no cooking facilities in guest rooms) where, for compensation, meals and lodging are provided.
  - (2) Condominium Hotel. Condominium hotel refers to temporary residences for transient guests, primarily persons who have residence elsewhere, with access to each room through an interior hall and lobby or outside porch or landing, and when the hotel rooms are owned as separate real estate; and the remainder of the property including amenities, open space, etc. is either owned in common by the hotel room owners and managed by an association, or owned by a separate entity in which a fee for use of the amenities, open space, etc. may or may not be charged the hotel room owners.
  - (3) Hostels. Hostels refers to supervised transient facilities offering dormitory type lodging, usually with a minimum of facilities.
  - (4) Hotels and Motels. Hotels and motels refers to temporary residences for transient guests, primarily persons who have residence elsewhere, with access to each room through an interior hall and lobby or outside porch or landing.
  - (5) Vacation Time Shares. Vacation time shares refers to real properties that are subject to a time share program.
- (v) Marijuana Establishments. A marijuana establishment, as defined and authorized by NRS 453A and NRS 453D, refers to commercial establishments, facilities, or places of business primarily engaged in the cultivation, production, acquisition, testing, supply, sale or distribution of marijuana products and related supplies and services, either for medical or adult recreational use. All marijuana establishments must be licensed by the Department of Taxation ("Department"). A business may be licensed with the Department to act as more than one of the marijuana establishment use types listed below in subsections one (1) through five (5). The following are marijuana establishment use types:
- (1) Marijuana Cultivation Facility. A marijuana cultivation facility, as defined by NRS 453A and/or 453D, refers to a business licensed as either a medical marijuana cultivation facility or as a marijuana cultivation facility, or both, which is authorized to cultivate, process, and package marijuana, to have marijuana tested by a marijuana testing facility,

DRAFT: April 20, 2021

and to sell marijuana to retail marijuana stores, to marijuana product manufacturing facilities, and to other marijuana cultivation facilities, but not to consumers.

- (2) Marijuana Product Manufacturing Facility. A marijuana product manufacturing facility, as defined by NRS 453A and/or 453D, refers to a business licensed as a facility for the production of edible marijuana products or marijuana-infused products, and/or as a marijuana product manufacturing facility, which is authorized to purchase marijuana, manufacture, process, and package marijuana and marijuana products, and sell marijuana and marijuana products to other marijuana product manufacturing facilities and to retail marijuana stores, but not to consumers.
- (3) Marijuana Testing Facility. A marijuana testing facility, as defined by NRS 453A and/or 453D, refers to a business licensed as a medical marijuana independent testing laboratory and/or as a marijuana testing facility, which is authorized to test marijuana and marijuana products, including for potency and contaminants.
- (4) Retail Marijuana Store/Medical Dispensary. A retail marijuana store/medical dispensary, as defined by NRS 453A and/or 453D, refers to a business licensed as either a medical marijuana dispensary or as a retail marijuana store, or both, which is authorized to purchase marijuana from marijuana cultivation facilities, to purchase marijuana and marijuana products from marijuana product manufacturing facilities and retail marijuana stores, and to sell marijuana and marijuana products to consumers. In order to operate as a retail marijuana store / medical dispensary for adult recreational use, the business must retain State licensure as a medical marijuana dispensary to continue business operations in the unincorporated County.
- (5) Marijuana Distributor. A marijuana distributor, as defined by NRS 453D and WCC 25.708(2), refers to a business licensed to transport marijuana from a marijuana establishment to another marijuana establishment. A marijuana distributor license provides for the transport of both medical and recreational (adult use) marijuana, marijuana products and/or marijuana paraphernalia to marijuana establishments located within the unincorporated County.
  - (a) A retail marijuana store / medical dispensary is not required to obtain a marijuana distributor license to transport marijuana or marijuana products directly to consumers.
  - (b) Marijuana distributors will only transport marijuana, marijuana products and/or marijuana paraphernalia following the provisions of NRS Chapter 453D and NAC Chapter 453D.
  - (c) Wholesale intoxicating liquor dealers licensed pursuant to NRS Chapter 369 applying for a marijuana distributor license must possess a valid and current County Importer / Wholesaler intoxicating liquor license.
  - (d) A marijuana distributor business is not allowed as a home-based business.
- (w) Medical Services. Medical services use type refers to establishments primarily engaged in the provision of personal health services ranging from prevention, diagnosis and treatment, or rehabilitation services provided by physicians, dentists, nurses and other health personnel as well as the provision of medical testing and analysis services, but excludes those classified as any civic use type. Typical uses include medical offices, dental laboratories, health maintenance organizations, immediate care facilities or sports medicine facilities.

DRAFT: April 20, 2021

- (x) Nursery Sales. Nursery sales use type refers to the sales of plants, flowers and related nursery items. The following are nursery sales use types:
  - (1) Retail. Retail refers to retail sale of plants and flowers and related nursery items. Typical uses include retail nurseries and home garden stores.
  - (2) Wholesale. Wholesale refers to wholesaling of plants and flowers, with incidental retail sales. Typical uses include wholesale nurseries.
  
- (y) Personal Services. Personal services use type refers to establishments primarily engaged in the provision of informational, instructional, personal improvement and similar services of a non-professional nature, but excludes services classified as commercial recreation or lodging services. Typical uses include photography studios, driving schools or weight loss centers.
  
- (z) Personal Storage. Personal storage use type refers to storage services primarily for personal effects and household goods within an enclosed storage area having individual access, but excludes workshops, hobby shops, manufacturing or commercial activity. Typical uses include mini-warehouses.
  
- (aa) Professional Services. Professional services use type refers to establishments which provide professional services to individuals or businesses, but excludes offices servicing walk-in customers which are classified under the administrative offices use type. Typical uses include law offices, real estate offices, insurance offices and architectural firms.
  
- (bb) Recycle Center. Recycle center use type refers to facilities for the collection, as a commercial enterprise, of household recyclables such as newspapers, bottles and cans. Recycle centers do not include recycle facilities existing as a part of a refuse pickup service or recycle bins used for donations to non-profit organizations. The following are recycle center use types:
  - (1) Full Service Recycle Center. Full service recycle center refers to large, fully attended recycle centers accepting paper, plastic and glass household recyclables and may include processing or sorting of the recyclables.
  - (2) Remote Collection Facility. Remote collection facility refers to a center for the acceptance, by redemption or purchase, of recyclable materials from the public. Such a facility does not process the recyclables on site. Typical uses include reverse vending machines.
  - (3) Residential Hazardous Substance Recycle Center. Residential hazardous substance recycle center refers to specialized recycling centers that receive household hazardous substances such as household paint, household cleaners and automobile engine oil.
  
- (cc) Repair Services, Consumer. Repair services, consumer use type refers to establishments primarily engaged in the provision of repair services to individuals and households rather than firms, but excludes automotive repair. Typical uses include appliance repair shops, apparel repair firms or instrument repair firms.
  
- (dd) Retail Sales. Retail sales use type refers to retail sales of commonly used goods and merchandise, either free-standing or within a commercial center, but excludes those uses classified under other use types. The following are retail sales use types:

DRAFT: April 20, 2021

- (1) Convenience. Convenience refers to establishments which provide a limited number of frequently or recurrently needed personal items or services for residents of an immediate neighborhood. Typical uses include convenience stores, small grocery stores, barber shops, beauty parlors, dry cleaners and self-service laundromats.
  - (2) Specialty Stores. Specialty stores refers to establishments which provide a variety of retail or personal services needs for residents in the larger community area. Typical uses include supermarkets, super drugs stores, clothing boutiques, antiques, bookstores, furniture stores and auto parts.
  - (3) Comparison Shopping Centers. Comparison shopping centers refers to retail establishments that provide a wide variety of retail and personal services that cater to the regional needs. Typical uses include full-line department stores and warehouse-styled retail outlets.
- (ee) Secondhand Sales. Secondhand sales use type refers to establishments primarily engaged in the sale of goods and merchandise which are not being sold for the first time, but excludes those classified as animal sales and services and automotive and equipment. Typical uses include secondhand stores and thrift shops.
- (ff) Transportation Services. Transportation services use type refers to establishments which provide private transportation of persons and goods. Typical uses include taxi services and commercial postal services.
- (gg) Winery. The Winery use type refers to a facility comprising the building(s) or space used to make wine as an alcoholic beverage obtained by the fermentation of the natural content of fruits or other agricultural products containing sugar. A winery includes crushing of fruit, fermenting, bottling, blending, bulk and bottle storage, aging, shipping and receiving of wine making materials, laboratory equipment, associated maintenance equipment, and administrative office functions related to the operation of the winery. A winery may or may not have a vineyard associated with it and may include a public tasting room and the sale of merchandise related directly to the winery. A winery may only sell at retail by the bottle or serve by the glass, on its premises, wine produced, blended, or aged on site by the winery subject to any limitations set forth in NRS 597.240.

A winery may be established as a stand-alone principal use type or in combination with residential or other authorized use types. The growing of grapes for use in a winery use type or in wine making is classified as Crop Production, a separate Agricultural Use Type. Wine making in the urban, commercial or industrial regulatory zones, or in conjunction with the manufacture of other types of intoxicating liquor, is classified as Liquor Manufacturing, a separate Commercial Use Type. Any allowed winery use type requires the issuance of the appropriate Washoe County business and liquor licenses pursuant to Chapters 25 and 30 of this Code. The business license application process for an allowed winery shall include the noticing of all adjacent property owners within 500 feet of the subject parcel, homeowners associations or Architectural Control Committees that are registered with the Building and Safety Division which have an interest in the subject parcel, and any properties that share a privately maintained access road to the subject parcel. Review and approval of a business license application to establish a winery shall include, at a minimum, review by the Washoe County Health District, the fire department of jurisdiction, and any General Improvement District with jurisdiction.

Winery with Special Events. Except in the Suburban Residential regulatory zone, a winery approved through an Administrative Permit may include, as part of the

DRAFT: April 20, 2021

Administrative Permit application, provisions for conducting recurring special events as ancillary uses to the principal Winery use. "Special event" means an assembly of less than 100 persons on any one day of the event. Such recurring special events may include, but are not limited to, weddings, tours, promotional events, entertainment (indoor or outdoor), wine and food pairings, and craft fairs. Recurring special events proposed in conjunction with a Winery use must be included in the Administrative Permit application authorizing the Winery use. New or amended proposals for special events shall require either an amendment to the existing Administrative Permit (i.e. Amendment of Conditions) or a separate application for a Temporary Special Event Business License pursuant to Chapter 25 of this Code through the Business License division.

*[Amended by Ord. 875, provisions eff. 8/3/93; Ord. 906, provisions eff. 7/27/94; Ord. 1004, provisions eff. 1/30/98; Ord. 1023, provisions eff. 7/1/98; Ord. 1097, provisions eff. 7/28/00; Ord. 1179, provisions eff. 12/6/02; Ord. 1238, provisions eff. 6/4/04; Ord. 1288, provisions eff. 3/24/06; Ord. 1347, provisions eff. 11/2/07; Ord. 1433, provisions eff. 3/5/10; Ord. 1481, provisions eff. 2/3/12; Ord. 1497, provisions eff. 10/5/12; Ord. 1527, provisions eff. 4/18/14; Ord. 1712, provisions eff. 6/27/14, Ord 1586, provisions eff. 10/7/16; Ord. 1616, provisions eff 4/20/18.]*

**Section 110.304.30 Industrial Use Types.** Industrial use types include the on-site production of goods by methods not agricultural in nature, including certain accessory uses.

- (a) **Aggregate Facilities.** Aggregate facilities use type refers to the extraction and processing of sand, gravel and rock from the ground. Typical uses include sand and gravel pit and ancillary uses such as concrete and asphalt batch plants.
- (b) **Caretaker's Residence.** Caretaker's residence refers to a permanent on-site residential unit for an industrial use. The purpose of this unit is to provide security for the industrial use and the site on which it is located. It shall be occupied only while a valid business license for an industrial use is in effect and only by an employee of the company which operates the industrial use and at no time shall it be rented to any party other than someone directly employed by the industrial use operator. The caretaker's residence and industrial use are permitted to share access to the site. A caretaker's residence should provide a permanent kitchen, toilet facilities, sleeping, eating, and living facilities, all separate from the industrial use, and must be permitted by all applicable state and local agencies. Two (2) standard parking spaces shall be reserved for use by the residents of the caretaker's residence. The floor area of the unit shall not exceed two thousand (2,000) square feet. A minimum lot size of one (1) acre is required. Any solid fuel burning device is prohibited. Upon cessation of the industrial use, the use of the caretaker's residence must cease. The following are caretaker's residence use types:
  - (1) **Attached.** Caretaker's residence attached must be attached to or located within the main structure for the industrial use. Only one (1) caretaker's residence is permitted per structure, regardless of the number of businesses located in that structure. Only one (1) caretaker's residence is permitted per employer and per parcel, regardless of the number of businesses located on that parcel.
  - (2) **Detached.** Caretaker's residence detached must be sited within the developed industrial area, and must be visually integrated with the industrial use. Only one (1) caretaker's residence is permitted per employer and per parcel, regardless of the number of businesses located on that parcel.
- (c) **Custom Manufacturing.** Custom manufacturing use type refers to the on-site production of goods by hand manufacturing or artistic endeavor which involves only the use of hand tools or domestic mechanical equipment and the incidental sale of these goods directly to

DRAFT: April 20, 2021

consumers. Typical uses include ceramic studios, custom cabinet making, candle making shops and custom jewelry manufacturers.

- (d) Energy Production. Energy production use type refers to the commercial production of electricity.
  - (1) Non-Renewable Energy Production. Non-Renewable energy production use type refers to the commercial production of energy utilizing any non-renewable source of energy.
  - (2) Renewable Energy Production. Renewable energy production use type refers to the commercial production of energy utilizing solar, geothermal, wind, hydroelectric, and biomass sources of energy.
- (e) General Industrial. General industrial use type refers to the on-site production of goods other than those that are agricultural or extractive in nature, but excludes those uses classified under custom manufacturing and high technology use types. The following are general industrial use types:
  - (1) Limited. Limited refers to production processes which use already manufactured components to assemble, print or package a product such as cloth, paper, plastic, leather, wood, glass or stones, but not including such operations as paper, saw or planing mills, steel, iron or other metalworks, rolling mills, or any manufacturing uses involving primary production of commodities from raw materials. By the nature of the activity performed and/or the scale of operation, these uses can be located near residential or commercial uses with minimal impact to adjacent uses. Typical uses include apparel manufacturing, paper products finishing, furniture production and production of fabricated metal products.
  - (2) Intermediate. Intermediate refers to production processes which can be located near residential or commercial uses only if special control measures are taken to mitigate the land use conflicts which can result from such operations. Typical uses include production of food substances, household appliance manufacturing, prefabrication of manufactured buildings, and major repair/reconstruction and storage of fabricated housing.
  - (3) Heavy. Heavy refers to production processes which should not be located near residential or commercial uses due to the intensive nature of the industrial activity and/or the scale of operation. These uses may be located near other manufacturing uses exhibiting similar characteristics although special control measures may be required for some extremely intensive operations to ensure compatibility with similar industrial uses. Typical uses include motor vehicle assembly, sawmills, textile dyeing, leather tanning, hazardous chemical production, petroleum refining, primary metal processing, storage of manufactured homes and production of explosives or propellants.
- (f) High Technology Industry. High technology industry use type refers to the research, development and controlled production of high-technology electronic, industrial or scientific products. Typical uses include biotechnology firms and computer component manufacturers.
- (g) Inoperable Vehicle Storage. Inoperable vehicle storage use type refers to premises devoted to the parking and/or storage of inoperable vehicles. Typical uses include

DRAFT: April 20, 2021

buildings, storage yards, and auto wrecking facilities devoted to the parking and/or storage of inoperable vehicles.

- (h) Laundry Services. Laundry services use type refers to establishments primarily engaged in the provision of large scale laundering, dry cleaning or dyeing services other than those classified as personal services. Typical uses include laundry agencies, diaper services or linen supply services.
- (i) Mining Operations. Mining operations use type refers to the extraction and processing of rocks and minerals from the ground, but excludes uses classified under the petroleum gas extraction use type. Typical uses include the mining of precious metals and industrial minerals.
- (j) Petroleum Gas Extraction. Petroleum gas extraction use type refers to the extraction of oil and natural gas from the ground and the temporary storage of oil at the well site. Typical uses include oil and gas wells.
- (k) Salvage Yards. Salvage yards use type refers to the collection, storage or sale of rags, scrap metal or discarded material; or the collection, dismantling, storage, salvaging or demolition of vehicles, machinery or other materials. Typical uses include junkyards and auto wrecking facilities.
- (l) Wholesaling, Storage and Distribution. Wholesaling, storage and distribution use type refers to establishments or places of business primarily engaged in wholesaling, storage and bulk sale distribution including, but not limited to, open-air handling of material and equipment other than live animals and plants. The following are wholesaling, storage and distribution use types:
  - (1) Light. Light refers to wholesaling, storage and warehousing services within enclosed structures. Typical uses include wholesale distributors, storage warehouses, or moving and storage firms.
  - (2) Heavy. Heavy refers to distribution and handling of materials and equipment. Typical uses include monument sales, stone yards or open storage yards.

*[Amended by Ord. 906, provisions eff. 7/27/94; Ord. 1039, provisions eff. 11/1/98; Ord. 1433, provisions eff. 3/5/10; Ord. 1443, provisions eff. 7/26/10; Ord. 1494, provisions eff. 8/9/12; Ord. 1504, provisions eff. 3/8/13.]*

**Section 110.304.35 Agricultural Use Types.** Agricultural use types include the on-site production of plant and animal products by agricultural methods.

- (a) Agricultural Processing. Agricultural processing use type refers to the processing of foods and beverages from agricultural commodities, but excludes animal slaughtering. Typical uses include canning of fruits and vegetables, processing of dairy products, and the production of prepared meats from purchased carcasses.
- (b) Agricultural Sales. Agricultural sales use type refers to the sale of agricultural supplies such as feed, grain and fertilizers. Typical uses include feed and grain stores.
- (c) Animal Production. Animal production use type refers to raising of animals or production of animal products, such as eggs or dairy products, on an agricultural or commercial basis, but excluding commercial slaughtering. Typical uses include grazing, ranching, dairy farming, poultry farming and aquaculture.

DRAFT: April 20, 2021

- (d) Animal Slaughtering, Agricultural. Agricultural animal slaughtering use type refers to the slaughtering of animals to be used in making meat products on the same premises.
- (e) Animal Slaughtering, Commercial. Commercial animal slaughtering use type refers to the slaughtering of animals to be sold to others or to be used in making meat products on the same premises. Typical uses include slaughter houses.
- (f) Animal Slaughtering, Mobile. Mobile animal slaughtering use type refers to the slaughtering of animals to be sold to others or to be used in making meat products, within a fully-enclosed mobile slaughtering facility approved by the US Food and Drug Administration, for a duration of not more than fourteen (14) days off-site on any one parcel within a calendar year. Typical uses include mobile commercial slaughtering units.
- (g) Crop Production. Crop production use type refers to raising and harvesting of tree crops, row crops or field crops on an agricultural or commercial basis, including packing and processing.
- (h) Forest Products. Forest products use type refers to commercial timber harvesting uses and facilities. Typical uses include production of forest products, sawmills and lumber camps.
- (i) Game Farms. Game farms use type refers to boarding or breeding of exotic animals generally considered as wild or not normally domesticated.
- (j) Produce Sales. Produce sales use type refers to the on-site sale of farm produce and/or shell eggs from property owned, rented or leased by the farmers who grow or produce all or part of the farm produce or shell eggs offered for sale. Typical uses include produce stands, and fruit and vegetable stands.
  - (1) Only products grown or produced on-site may be sold. A minimum lot size of forty (40) acres is required to establish produce sales as an allowed use in the General Rural (GR) regulatory zone. A valid business license pursuant to Chapter 25 of County Code must be obtained prior to any sales.
  - (2) Temporary produce sales, for a maximum duration of thirty (30) days in any one (1) calendar year, are allowed in all regulatory zones; however, a valid business license pursuant to Chapter 25 of County Code must be obtained prior to any sales.

*[Amended by Ord. 1023, provisions eff. 7/1/98; Ord. 1433, provisions eff. 3/5/10; Ord. 1540, provisions effective 9/5/14.]*

SECTION 2. Article 902 of the Development Code, Chapter 110 of the Washoe County Code, is hereby amended as follows:

## **Article 902**

# **DEFINITIONS**

---

**Sections:**



DRAFT: April 20, 2021

110.902.00	Purpose
110.902.05	Applicability
110.902.10	Rules of Interpretation
110.902.15	General Definitions

**Section 110.902.00 Purpose.** The purpose of this article, Article 902, Definitions, is to promote consistency and precision in the interpretation of the Development Code.

**Section 110.902.05 Applicability.** The meaning and construction of words and phrases as set forth therein shall apply throughout the Development Code, except where the context of such words and phrases clearly indicates a different meaning or construction. Definitions contained in the adopted version of the International Building Code shall be applicable except when in conflict with definitions contained in the Development Code, in which case the Development Code definitions shall control. Additional definitions which apply only within one article or section may be contained within that article or section.

*[Amended by Ord. 1356, provisions eff. 12/21/07.]*

**Section 110.902.10 Rules of Interpretation.** The following general rules of interpretation shall apply to the textual provisions of the Development Code:

- (a) **Article and Section References.** "Article" means an article of the ordinance codified in this Development Code unless some other ordinance is specifically mentioned. "Section" means a section of the ordinance codified in this Development Code unless some other ordinance is specifically mentioned. "Subsection" means a subsection of the section in which the term occurs unless some other section is specifically mentioned.
- (b) **Definitions.** The Director of Community Development shall have the authority to determine the applicable definition source (e.g. Webster's Collegiate Dictionary, International Building Code, International Fire Code, etc.) in the event of a conflict.
- (c) **Headings.** Section and subsection headings contained herein shall not be deemed to govern, limit, modify or in any manner affect the scope, meaning or intent of any provision of this Development Code.
- (d) **Illustrations.** In case of any differences of meaning or implication between the text of any section or article and any illustration, the text shall control.
- (e) **Gender.** The masculine gender includes the feminine and neuter.
- (f) **Number.** The singular number includes the plural, and the plural the singular.
- (g) **Tense.** The present tense includes the past and future tenses, and the future tense includes the present tense.
- (h) **Oath and Affirmation.** "Oath" includes "affirmation."
- (i) **Shall and May.** "Shall" is mandatory and "may" is permissive.
- (j) **Signature or Subscription and Mark.** "Signature" or "subscription" includes "mark" when the signer or subscriber cannot write, such signer's or subscriber's name being written near the mark by a witness who writes his own name near the signer's or subscriber's name; but a signature or subscription by mark can be acknowledged or can serve as a

DRAFT: April 20, 2021

signature or subscription to a sworn statement only when two (2) witnesses so sign their own names thereto.

- (k) Statutory References. Whenever reference is made to any portion of the ordinance codified in this Development Code, or of any other ordinance of this County or of any law of this state, the reference applies to all amendments and additions now or hereafter made.

*[Amended by Ord. 873, provisions eff. 6/7/93; Ord. 1356, provisions eff. 12/21/07.]*

**Section 110.902.15 General Definitions.** Unless otherwise specified, the following definitions shall be applicable throughout the Development Code:

A-Weighted Sound Level. "A-weighted sound level" means the sound pressure level in decibels as measured on a sound level meter using the A-weighting filter network. Sounds measured with an A-weighted filter are abbreviated dba or db(a).

Accessory Structure. "Accessory structure" means a subordinate structure, the use of which is incidental to that of the main structure or potential main structure, or main dwelling.

Accessway. "Accessway" means vehicular ingress and egress to a property or use.

Adequate Public Facilities Management. "Adequate public facilities management" means a method for ensuring that the infrastructure necessary to support a development project will be available concurrently with the impacts of that development, without causing the level of service provided by said infrastructure to fall below adopted standards.

Affordable Housing. "Affordable housing" means housing which is affordable to low-income households (not exceeding eighty (80) percent of the County median income) or moderate-income households (not exceeding one-hundred twenty (120) percent of County median income).

Agricultural Building. "Agricultural building" is a structure designed and constructed to store farm implements and equipment or hay, grain, poultry, livestock, fruit and other agricultural products. Cold storage warehouses are not agricultural buildings. An agricultural building shall not be used for human habitation; processing, treating, packaging agricultural products; or as a place used by the public. The term shall not include dwellings, but does include greenhouses.

Approved Access. "Approved access" means a way or means of approach to a parcel from either an abutting public road or from a private road, street or right-of-way approved by the County.

Area of Shallow Flooding. "Area of shallow flooding" means a designated AO or AH Zone on the Flood Insurance Rate Maps. The base flood depths range from 1 to 3 feet, a clearly defined channel does not exist, the path of flooding is unpredictable and indeterminate, and velocity flow may be evident.

Area Plan. "Area plan" means plans adopted by Washoe County which cover specific subareas of the unincorporated County. These plans provide basic information on the natural features, resources and physical constraints that affect the development of the planning area. They also specify detailed land use designations which are then used to review specific development proposals and to plan services and facilities.

Arterial. "Arterial" means a main highway that is a through street.

Attached Accessory Dwelling Unit. "Attached accessory dwelling unit" means a portion of or an addition to a single family main dwelling that has been designed or configured to be used as a separate and

**DRAFT: April 20, 2021**

independent dwelling unit. An attached accessory dwelling unit includes, at a minimum, permanent kitchen and bathroom (i.e. a toilet) facilities, but may also include living, sleeping, and eating facilities, all separated from the main unit by walls or ceiling and accessed through a lockable exterior or interior door. The attached accessory dwelling unit shall not exceed forty (40) percent of the total square footage of the main dwelling unit or one thousand (1,000) square feet, whichever is smaller. The square footage of garages, crawl spaces, cellars, attics, or basements not designed for human occupancy shall not be included when calculating the total square footage of the main dwelling unit, unless such areas have been legally converted into habitable space. An attached accessory dwelling may be created by converting part of, or adding on to, an existing single family main dwelling. To be considered attached, the accessory dwelling unit must abut (i.e. be on the opposite side of a wall or ceiling) the habitable space of the main dwelling, or the ceiling of a garage attached to the main dwelling. Incidental and accessory features such as trellises, decks, patios, breezeways, or tool sheds will not be considered as establishing an attached structure/dwelling. Attached accessory dwellings are often referred to as guest rooms, guest apartments and "granny flats."

Base Flood Calculation. "Base flood calculation" means a flood having a one (1) percent chance of being equaled or exceeded in any given year. See "Flood, One Hundred (100) Year."

Basement. "Basement" means the portion of a building between floor and ceiling, which is partly below and partly above grade, but so located that the vertical distance from grade to the floor below is less than the vertical distance from grade to ceiling.

Bed and Breakfast Establishment. "Bed and breakfast establishment" means a single-family dwelling containing not more than five (5) guest rooms (no cooking facilities in guest rooms) where, for compensation, meals and lodging are provided.

Berm. "Berm" means a mound or embankment of earth.

Billboard. "Billboard" means an outdoor advertisement making a material or services known, such advertisement being remote from the point of sale of such material or service.

Board. "Board" refers to the Board of County Commissioners of Washoe County.

Boardinghouse. "Boardinghouse" means a building or portion thereof (not a motel) where, for compensation, meals and lodging are provided for more than three (3) guests.

Breezeway. A "breezeway" means a covered walkway, passageway, or corridor that has at least one (1) side entirely or partially open (except for necessary supporting columns), is not intended nor designed as habitable space, and which may or may not be connected to a structure.

Building. "Building" means any structure having a permanent foundation, a roof supported by columns or walls and used for the enclosure of persons, animals or chattels, but not including a trailer (mobile home) or tent.

Building Envelope. "Building envelope" means the area to be occupied by any structure and associated development.

Building Height. "Building height" is the vertical distance above a reference datum measured to the highest point of the coping of a flat roof or to the deck line of a mansard roof or to the average height of the highest gable of a pitched or hipped roof. As illustrated in Figure 110.902.15.BH1, the reference datum shall be selected by either of the following, whichever yields a greater height of building:

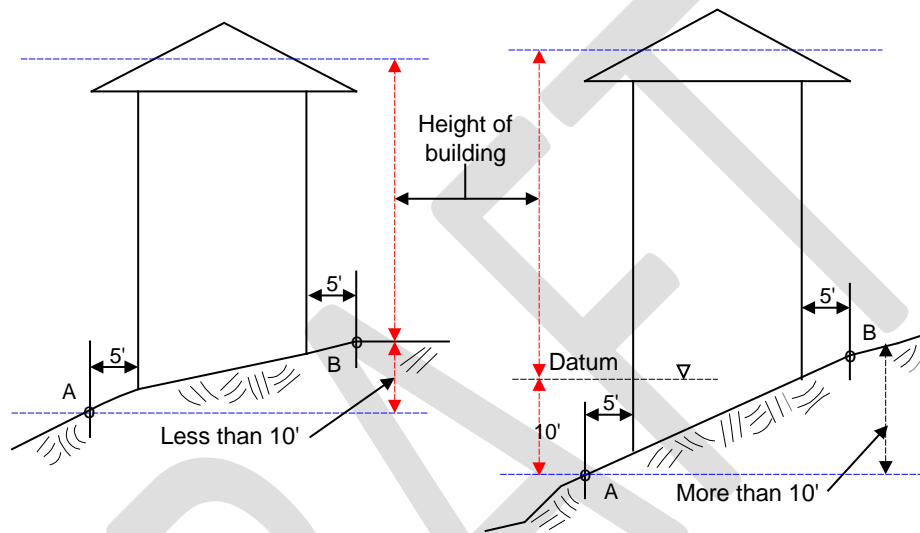
DRAFT: April 20, 2021

- (a) The elevation of the highest adjoining sidewalk or ground surface within a five (5) foot horizontal distance of the exterior wall of the building when such sidewalk or ground surface is not more than ten (10) feet above lowest grade.
- (b) An elevation ten (10) feet higher than the lowest grade when the sidewalk or ground surface described in Item 1 above is more than ten (10) feet above lowest grade.

The height of a stepped or terraced building is the maximum height of any segment of the building.

Figure 110.902.15.BH1

**DETERMINATION OF BUILDING HEIGHT IN FEET**



Source: International Building Code Interpretation Manual.

**Building Intensity.** "Building intensity" refers to the bulk and concentration of physical development of uses permitted in a district. Lot coverage and height are examples of measures of building intensity.

**Cargo Container.** "Cargo Container" means an Intermodal Container, Sea-land Container, ISO Container, or Conex Box that is not designed for independent or "In-tow Trailer" highway use, and that was originally designed and constructed as a standardized, reusable storage and shipping vessel to be loaded on a truck, rail car or ship.

**Cellar.** "Cellar" means the portion of a building between floor and ceiling which is wholly or partially below grade and so located that vertical distance from grade to the floor below is equal to or greater than the vertical distance from grade to ceiling.

**Certificated Water Rights.** "Certificated water rights" means the right to put surface water or groundwater to beneficial use that is identified by a record document issued by the Nevada State Engineer after satisfactory proof of "perfection of application" for a permitted water right has been filed in accordance with NRS Chapter 533.

**Child Care Institution.** "Child care institution" means a facility which provides care and shelter during the day and night and provides developmental guidance to sixteen (16) or more children who do not routinely return to the homes of their parents or guardians. Such an institution may also provide, without limitation:

**DRAFT: April 20, 2021**

- (a) Education to the children according to a curriculum approved by the Department of Education;
- (b) Services to children who have been diagnosed as severely emotionally disturbed as defined in NRS 433B.080, including, without limitation, services relating to mental health and education; or
- (c) Emergency shelter to children who have been placed in protective custody pursuant to Chapter 432B of NRS.

Climatic Adaptive Planting Material. "Climatic adaptive planting material" means vegetation which is adapted to the climate or microclimate of the planting site and can flourish given the soil and water environment surrounding its roots. Microclimates, large bodies of water, soil drainage, soil pH, adequate moisture, the presence of soil salts, and both summer and winter wind affect a plant's ability to grow and survive.

Cluster or Clustered Development. See "Common Open Space Development."

Collector. "Collector" means the highest order of residential streets.

Commercial Coach. "Commercial coach" means structure without motive power which is designed and equipped for human occupancy for industrial, professional or commercial purposes.

Commercial Vehicle. "Commercial vehicle" means any vehicle designed, maintained or used for business, commercial, construction or industrial purposes that infringes on the residential character of residential districts; or for the transportation of property in furtherance of commercial enterprise; or having more than two (2) axles on the road; or, any vehicle in excess of eight thousand (8,000) pounds unladen weight. Commercial vehicles includes, but is not limited to: a cement truck, commercial tree-trimming equipment, construction equipment, dump truck, garbage truck, panel truck, semi-tractor, semi-trailer, stake bed truck, step delivery van, tank truck, tar truck, and other vehicles customarily used for commercial purposes.

Commission. "Commission" means the Washoe County Planning Commission.

Common Interest Community. "Common interest community" means real estate in which a person, by virtue of ownership of a unit, is obligated to pay for real estate other than that unit. "Ownership of a unit" does not include holding a leasehold interest of less than twenty (20) years in a unit, including options to renew.

Common Open Space Development. "Common open space development" means a technique whereby minimum lot sizes may be reduced below the regulatory zone requirements for residential and commercial use types, if compensating amounts of open space are provided within the same development (also called "cluster development"). This type of development allows for structures to be grouped on smaller lots, provided the total density for the development is not exceeded.

Company Town. "Company town" means employee housing and supporting commercial, office, recreational, professional, administrative and other ancillary uses associated with the functioning of an isolated industrial, mining, energy production, utilities, resorts or agricultural based use. This development may occur on a single parcel or multiple parcels.

Consistency. "Consistency" means free from variation or contradiction.

Constraints. "Constraints" mean limitations or actions which cannot be taken or which must be taken.

**DRAFT: April 20, 2021**

Construct. "Construct" includes "erect," "reconstruct," "alter," "move in" and "move upon."

Contiguous Parcel of Land. "Contiguous parcel of land" means a parcel of land either abutting directly on the boundary or separated by a street, alley, public right-of-way, creek, river or the right-of-way of a railroad or other public service corporation of another parcel of land.

**Continuum of Care Unit – A unit that is within a continuum of care facility that includes living and sleeping facilities as defined by the Development Code, the International Building Code, and/or the National Manufactured Home and Safety Standards Act.**

Corner Lot. See "Lot, Corner."

Cost. "Cost" means the price paid or what is given up in order to acquire, produce, accomplish or maintain anything.

County. "County" refers to the unincorporated area of Washoe County, Nevada.

County Standards. "County standards" means improvement standards set forth in this Development Code or adopted by the Board of County Commissioners.

Cross-Section. "Cross-section" is a drawing or photograph showing a cutting through something, especially at right angles to its axis. A cross section of a roadway usually indicates the width of the street, the number of lanes, and the width of any median, parkways, sidewalks and bicycle lanes.

Cumulative Impact. "Cumulative impact" means an effect which is a result of several related projects. Each increment from each project may not be noticeable but cumulative impacts may be noticeable when all increments are considered.

Cut. "Cut" means shaping of the land surface by removing soil, rock or other materials.

Decibel. "Decibel" means a unit for describing the amplitude of sound, equal to twenty (20) times the logarithm to the base ten (10) of the ratio of the pressure of the sound measured to the reference pressure, which is twenty (20) micropascals (20 micronewtons per square meter).

Density or Residential Density. "Density" or "residential density" means the number of dwelling units per gross acre for residential uses **as defined in Article 304, Use Classification System.**

Density Bonus. "Density bonus" means an increase in residential density over and above the density specified in the Development Code. A "density bonus unit" is one of the additional housing units built as a result of granting a density bonus.

Destination Resort. "Destination resort" is a self-contained development that provides for visitor-oriented accommodations and developed recreational facilities in a setting with high natural amenities. Visitor-oriented accommodations are overnight lodging and facilities designed for visitors, not permanent residents, and overnight lodging excludes RV and mobile home parks. Visitor accommodations must include meeting rooms and restaurants.

Detached Accessory Dwelling Unit. "Detached accessory dwelling unit" means a dwelling unit on the same lot as the main dwelling unit, but which is physically separated from the main dwelling unit. A detached accessory dwelling unit is designed and configured to provide independent living facilities for one or more persons, and includes, at a minimum, permanent kitchen and bathroom (i.e. toilet) facilities, but which may also include living, sleeping, and eating facilities. Except in the Medium Density Suburban (MDS) Regulatory Zone, a detached accessory dwelling unit shall not exceed fifteen hundred (1,500) square feet or fifty (50) percent of the total square footage of the main unit, whichever is smaller. In the

**DRAFT: April 20, 2021**

Medium Density Suburban (MDS) Regulatory Zone, the detached accessory dwelling unit shall not exceed eight hundred (800) square feet or fifty (50) percent of the total square footage of the main dwelling unit, whichever is smaller. The square footage of garages, crawl spaces, cellars, attics, or basements not designed for human occupancy shall not be included when calculating the total square footage of the main dwelling unit, unless such areas have been legally converted into habitable space. Detached accessory dwelling unit are also commonly referred to as guest houses, second units, detached "granny flats" and caretaker's quarters.

Detached Accessory Structure. Except as provided for under Section 110.306.15, "detached accessory structure" means a building or structure on the same lot as the main residential structure and devoted to a use incidental to that main residential structure. A detached accessory structure is not designed, configured, or used for human habitation. The detached accessory structure may be connected to water and wastewater systems subject to the recordation of a deed restriction prohibiting the use of the structure as a dwelling unit. Installation of both a kitchen and a toilet in a detached accessory structure shall render the structure as a dwelling unit and subject to the accessory dwelling unit provisions contained in Article 306, Accessory Uses and Structures. Typical uses include storage buildings, sheds, barns, and detached garages.

Development. "Development" means any man-made change to improved or unimproved real estate including the construction of buildings or other structures, mining, dredging, filling, grading, paving, excavation, drilling operations or storage of equipment or materials.

Development Agreement. "Development agreement" means an agreement entered into by Washoe County and any person having a legal or equitable interest in land concerning the development of that land, pursuant to NRS Chapter 278.

Development Code. "Development Code" refers to Chapter 110 of the Washoe County Code which incorporates all County development-related ordinances and standards to ensure conformity with the Master Plan.

Division into Large Parcels. "Division into large parcels" means division of land if each proposed lot is at least forty (40) acres in area including roads and easements or at least one-sixteenth (1/16) of a section as described by a government land office.

Dog Training Center. "Dog training center" means a facility where dogs are boarded and trained for a long-term period of time.

Dog Training Services. "Dog training services" means the training of dogs with their owners or owners' designee, where both owner and dog participate in dog training.

Domestic Water. "Domestic water" means water supplied to individual dwellings and other land uses which is suitable for drinking.

Dormitory/Bunkhouse. "Dormitory/bunkhouse" means a building or a portion of a building where, for compensation or a benefit of employment, meals and lodging are provided.

Drainage, Natural. "Natural drainage" means any channel, swale or depression which conducts water as part of the natural drainage pattern of a site.

Driveway, Residential. "Residential driveway" means a private paved or unpaved area used for ingress or egress of vehicles, and allowing access extending from a property line to a building or other structure or facility on the subject parcel.

DRAFT: April 20, 2021

Dwelling. "Dwelling" means any building or portion thereof used exclusively for residential purposes but does not include hotels, clubs, boardinghouses or rooming houses, fraternity or sorority houses, **continuum of care facilities**, or institutions.

Dwelling Unit. "Dwelling unit" means any building or portion thereof, including a fabricated home or portion thereof, which contains at a minimum permanent kitchen and bathroom (i.e. a toilet) facilities **for residential use types as defined in Article 304, Use Classification System**, but which may also include living, sleeping, and eating facilities as required by the Development Code, the International Building Code, and/or the National Manufactured Home and Safety Standards Act.

Electronic Notice. "Electronic notice" means any notice required by law that is transmitted via electronic means and which provides a method of verifying receipt to the sender that the receiver has received the notice. Electronic includes, but is not limited to, e-mail, facsimile transmission that identify the receiver and have a time and date stamp.

Endangered Species. "Endangered species" means any species listed as such in the Federal Register which is in danger of extinction throughout all or a significant portion of its range.

Engineer. "Engineer" means a Nevada registered engineer pursuant to NRS Chapter 625.

Ephemeral Stream. "Ephemeral stream" means a stream that flows only in direct response to precipitation, and thus discontinues its flow during dry seasons. Such flow is usually of short duration. Most of the dry washes of more arid regions may be classified as ephemeral streams.

Erosion. "Erosion" means the detachment and movement of soil from the land surface by wind, water or gravity.

Fabricated Home. "Fabricated home" means a dwelling unit fabricated in an off-site manufacturing facility for installation or assembly at the building site. Fabricated homes include modular homes, manufactured homes and mobile homes. The term "fabricated home" does not include a "recreational vehicle."

Facility for Transitional Living for Released Offenders. "Facility for transitional living for released offenders" means a residence that provides housing and a living environment for persons who have been released from prison and who require assistance with reintegration into the community, other than such a residence that is operated or maintained by a state or local government or an agency thereof. The term does not include a halfway house for recovering alcohol and drug abusers or a facility for the treatment of abuse of alcohol or drugs. As used in this section, person who has been released from prison means:

- (a) A parolee.
- (b) A person who is participating in:
  - (1) A judicial program pursuant to NRS 209.4886 or 213.625; or
  - (2) A correctional program pursuant to NRS 209.4888 or 213.371.
- (c) A person who is supervised by the Division of Parole and Probation of the Department of Public Safety through residential confinement.
- (d) A person who has been released from prison by expiration of his or her term of sentence.

Family. "Family" means one (1) or more persons related by blood, marriage or legal adoption, or a group of six (6) or fewer unrelated persons and two additional persons who act as house parents or guardians, living together in a dwelling unit.



**DRAFT: April 20, 2021**

Fence. "Fence" means a wall or barrier constructed of boards, masonry, wire or any other material for the purpose of enclosing space or separating parcels of land. The term "fence" does not include retaining walls, but does include fence gates and gateposts.

Fill. "Fill" means shaping of the land surface by depositing soil, rock or other materials.

Final Map. "Final map" means the map or recording instrument for subdivisions of land as described in Article 610. A final map may also be used to record an approved parcel map at the option of either the subdivider or the County.

Fire Management. "Fire management" means activities required for the protection of resources and values from fire, or the use of fire to meet land management goals and objectives.

Flood or Flooding. "Flood" or "flooding" means a general and temporary condition of partial or complete inundation of normally dry land areas from the overflow of inland waters; or the unusual and rapid accumulation of runoff of surface waters from any source.

Flood, One Hundred (100) Year. "One hundred (100) year flood" also called the "base flood" means a flood having a one (1) percent chance of being equaled or exceeded in any given year. The boundaries of the one hundred (100) year flood include both the floodway and the flood fringe areas as shown on the Federal Emergency Management Agency (FEMA) Flood Insurance Rate Maps.

Flood Boundary and Floodway Maps (Floodway). "Flood Boundary and Floodway Maps" means the official maps on which the Federal Insurance Administration has delineated both the areas of flood hazard and the floodway.

Flood Elevation. "Flood elevation" means the elevation of the water surface of the base flood based on the National Geodetic Vertical Datum (NGVD) of 1929.

Flood Elevation, Increase In. "Increase in flood elevation" means an increase in flood elevation of more than one (1) foot at any point.

Flood Fringe. "Flood fringe" means the area of the one hundred (100) year flood, exclusive of the floodway, as shown on the Flood Insurance Rate Maps, and any area determined by the Floodplain Administrator to have a one (1) percent or greater probability of flood in a given year.

Flood Hazard Areas. "Flood hazard areas" means the area designated by the Federal Emergency Management Agency as being flooded by the base flood, and is designated as "Zone A, AO, AH, AE and A99" on the Flood Insurance Rate Maps.

Flood Height. "Flood height" means the depth of the floodwater during the one hundred (100) year flood, computed as the difference between the elevation of the one hundred (100) year floodwater surface and the elevation ground surface at a given point in the flooded area.

Flood Insurance Rate Maps (FIRM). "Flood Insurance Rate Maps" means the official maps on which the Federal Insurance Administration has delineated the flood hazard area, the limited flooding area and the risk premium zones applicable to the community.

Flood Insurance Study (FIS). "Flood Insurance Study" means the official report provided by the Federal Emergency Management Agency that includes flood profiles, the Flood Insurance Rate Maps, the Flood Boundary and Floodway Maps, and the water surface elevation of the base flood.

Floodplain. "Floodplain" means any land area susceptible to being inundated by water from any source.

**DRAFT: April 20, 2021**

Floodplain Administrator. "Floodplain Administrator" means the person appointed to administer and implement the provisions of Article 416 of this Development Code.

Floodplain Management. "Floodplain management" means the operation of an overall program of corrective and preventive measures for reducing flood damage.

Floodproofing. "Floodproofing" means any combination of structural and nonstructural additions, changes or adjustments to structures which reduce or eliminate flood damage to real estate or improved property, water and sanitary facilities, structures and their contents.

Floodway. "Floodway" means the channel of a river or other watercourse and the adjacent land areas that must be reserved in order to discharge the base flood without cumulatively increasing the water surface elevation more than one (1) foot. The floodway is delineated on the Flood Boundary and Floodway Maps.

Floor Area Ratio (FAR). "Floor area ratio" means the ratio of floor area permitted on a lot to the size of the lot. For example, a permitted FAR of 6.0 on a 10,000 square foot lot would allow a building with a total floor area of 60,000 square feet.

Front Line. "Front line" means the narrowest lot dimension fronting on a street.

Front Yards. See "Yard, Front."

Fuel Management. "Fuel management" means treating or controlling any vegetative material which adversely affects meeting fire management direction based upon resource management goals and objectives.

Fuelbreak. "Fuelbreak" means a strip of land, strategically placed for fighting anticipated fires, where hazardous fuels have been replaced with less burnable fuels (like grass). They divide fire-prone areas into smaller parcels for easier fire control and provide access for fire fighting.

Fuels. "Fuels" mean any material capable of sustaining or carrying a wildfire, usually natural material both live and dead.

Gaming. "Gaming" means any legally constituted gambling enterprise authorized under the laws of the State of Nevada other than slot machines when such machines are operated incidentally to the conduct of a licensed retail business.

Geothermal Resource. "Geothermal resource" means the natural heat of the earth and the energy associated with the natural heat, pressure and all dissolved or entrained minerals, but excluding hydrocarbons and helium, that may be obtained from the medium used to transfer that heat.

Governing Body. "Governing body" refers to the Washoe County Board of County Commissioners, unless otherwise clearly indicated.

Government Patent Easement. "Government patent easement" means an easement granted through a patent by the federal government for a public purpose, generally for public access and utility purposes.

Grade. "Grade" is the lowest point of elevation of the finished surface of the ground, paving or sidewalk within the area between the building and the property line or, when the property line is more than 5 feet from the building, between the building and a line 5 feet from the building.

Gradient. "Gradient" is the slope of a lot measured as the difference in elevation of finished grade between the midpoint of the front property line and the farthest opposite point of the lot depth.

**DRAFT: April 20, 2021**

Grading. "Grading" means removal of trees and shrubs with surface soil grading for smoothness.

Greenbelt. "Greenbelt" means an area where measures such as fuel management, land use planning and development standards are applied to mitigate fire, flood and erosion hazard. More traditionally, an irrigated landscaped buffer zone between development and wildlands, usually put to additional uses (e.g. golf course, park, etc.).

Gross Density. "Gross density" is the ratio of the total number of units to the total site area.

Ground Cover. "Ground cover" means low, dense-growing plants such as shrubs or vines, or inert materials such as rock or bark used to cover bare ground.

Ground Water Recharge. "Ground water recharge" means the infiltration of water into the earth. It may increase the total amount of water stored underground or only replenish the groundwater supply depleted through pumping or natural discharge. The natural or intentional infiltration of surface water into the Zone of Saturation (i.e. into the Ground Water). Also, the inflow of water to a ground water reservoir (Zone of Saturation) from the surface. Infiltration of precipitation and its movement to the water table is one form of natural recharge.

Group Foster Home. "Group foster home" means a natural person, partnership, firm, corporation or association who provides full-time care for seven (7) to fifteen (15) children who are:

- (a) Under eighteen (18) years of age;
- (b) Not related within the first degree of consanguinity or affinity to any natural person maintaining or operating the home; and received, cared for, and
- (c) Maintained for compensation or otherwise, including the provision of permanent free care.

Halfway House for Recovering Alcohol and Drug Abusers. "Halfway house for recovering alcohol and drug abusers" means a residence that provides housing and a living environment for recovering alcohol and drug abusers and is operated to facilitate their reintegration into the community, but does not provide any treatment for alcohol or drug abuse. The term does not include a facility for transitional living for released offenders.

Hallway. "Hallway" means a completely enclosed corridor, passageway, or other similar enclosed space that connects two (2) separate rooms, or ingress and egress points, and which is not intended nor designed as habitable space. A hallway shall not be used to connect two (2) separate dwelling units.

Hedge. "Hedge" means a dense row of plant material, such as shrubs, which are arranged to form a boundary or screen.

Highest Existing Grade. "Highest existing grade" means the highest natural elevation of the ground surface prior to construction next to the proposed walls of a structure.

Hillside Development. "Hillside development" means any development including individual lots which has slopes greater than fifteen (15) percent on twenty (20) percent or more of the site.

Historic Structure. "Historic structure" means any structure that is:

- (a) Listed individually in the National Register of Historic Places (a listing maintained by the Department of the Interior) or preliminarily determined by the Secretary of the Interior as meeting the requirements for individual listing on the National Register;

**DRAFT: April 20, 2021**

- (b) Certified or preliminarily determined by the Secretary of the Interior as contributing to the historic significance of a registered historic district or a district preliminarily determined by the Secretary of the Interior to qualify as a registered historic district;
- (c) Individually listed on a state inventory of historic places in states with historic preservation programs which have been approved by the Secretary of the Interior; or
- (d) Individually listed on a local inventory of historic places in communities with historic preservation programs that have been certified either:
  - (1) By an approved state program as determined by the Secretary of the Interior; or
  - (2) Directly by the Secretary of the Interior in states without approved programs.

Home for Individual Residential Care. "Home for individual residential care" means a home in which a natural person furnishes food, shelter, assistance and limited supervision, for compensation, to not more than two (2) persons with mental retardation or with disabilities or who are aged or infirm, unless the persons receiving those services are related within the third degree of consanguinity or affinity to the person providing those services. The term does not include:

- (a) A halfway house for recovering alcohol and drug abusers; or
- (b) A home in which supported living arrangement services are provided to assist individuals in maximizing his independence, including without limitation training and habitation services.

Hoop House/High Tunnel. "Hoop House" or "High Tunnel" means an enclosure that is used to cover and protect crops from sun, wind, excessive rainfall, or cold, to extend the growing season in an environmentally safe manner and having a life span of approximately 5 years. The coverings for these enclosures utilize flexible, not rigid materials.

Hotel. "Hotel" means a building occupied or intended to be occupied, for compensation, as the temporary residence for transient guests, primarily persons who have residence elsewhere, with an interior hall and lobby.

House Construction Factory. "House construction factory" means a building used for the construction of a single or multiple family dwelling, or the assembly of prefabricated single or multiple family dwelling components, or a combination of the above-described procedures, which results in a completed single or multiple family dwelling that can be transported to a lot for which service has been provided and which has been improved to accommodate the installation of the dwelling.

Household. "Household" means the person or persons occupying a housing unit.

Impervious Surface. "Impervious surface" means the surface through which water cannot penetrate, such as a roof, road, sidewalk or paved parking area.

Incorporated City. "Incorporated city" means a city incorporated under the laws of the State of Nevada.

Infrastructure. "Infrastructure" means the basic facilities such as roads, schools, power plants, transmission lines, transportation and communication systems on which the continuance and growth of a community depends.

Inoperable Vehicle. "Inoperable vehicle" means a vehicle, as defined by NRS 482.135, which:

**DRAFT: April 20, 2021**

- (a) Does not display current license plates (from any state) registered to the vehicle; and,
- (b) Is visibly damaged, wrecked, dismantled, in serious disrepair, deteriorating (rusting, rotting) or missing major components, or is being salvaged, parted out, prepared for crushing, shredding or scrapping; and,
- (c) Is not awaiting disposition instructions as a result of a collision.

Interior Lot. See " Lot, Interior."

Junkyard. "Junkyard" means any space for storage, abandonment or sale of junk, scrap material or similar waste, including the dismantling, demolition or abandonment of automobiles, other vehicles, machinery or parts. Junkyard shall be synonymous with salvage yard.

Kitchen. "Kitchen" means a room or space within a room equipped with such electrical or gas hook up that would enable the installation of a range, oven, or like appliance using 220/40 volts or natural gas (or similar fuels, such as propane) for the preparation of food, and also containing either or both a refrigerator and sink for the washing and/or disposal of food.

Landscaped Buffer. "Landscaped buffer" means an area of landscaping which separates two (2) distinct land uses, or a land use and a public right-of-way, and which acts to soften or mitigate the effects of one (1) land use on the other.

Landscaping. "Landscaping" means an area devoted to and maintained with a mixture of existing or new native or exotic plants such as turf, groundcover, shrubs, flowers, vines and trees, as well as additional complementary decorative features such as rocks, decorative pavement, fountains, pools, sculpture and decorative wall.

Ldn. "Ldn" means the average equivalent A-weighted sound level during a 24-hour day obtained by adding ten decibels to the hourly noise levels measured during the night (10:00 p.m. to 7:00 a.m.). In this way, Ldn takes into account the lower tolerance of people for noise during nighttime periods. Ldn noise level measurements are typically plotted onto a map to identify noise contours around a significant noise generator (e.g. freeways, airports, etc.).

Limited Gaming. "Limited gaming" means gaming enterprises authorized by the State Gaming Control Board whereby any person or gaming establishment may be issued a limited gaming license or have such conditions placed on a gaming license as necessary to protect the public interest.

Livestock. "Livestock" means:

- (a) All cattle or animals of the bovine species;
- (b) All horses, mules, burros and asses or animals of the equine species;
- (c) All goats or animals of the caprine species;
- (d) All swine or animals of the porcine species; and
- (e) All sheep or animals of the ovine species.

Loading Space. "Loading space" means an off-street space or berth on the same lot with a building or contiguous to a group of buildings for the temporary parking of vehicles while handling merchandise or materials.

**DRAFT: April 20, 2021**

Lot. "Lot" means a distinct part or parcel of land divided with the intent to transfer ownership or for building purposes, which abuts upon a permanent means of access and is assigned a single parcel number by the Washoe County Assessor's Office.

Lot, Corner. "Corner lot" means a lot situated at the intersection of two (2) or more streets or a lot that abuts one (1) street that changes directions, curves or turns around the lot with an interior angle of 135 degrees or less.

Lot, Interior. "Interior lot" means either (a) a lot bounded by a street on only one (1) side; or, (b) a lot situated at the intersection of (2) streets having an interior angle of one hundred thirty-five (135) degrees or more; or, (c) a lot that has continuous street frontage on only one (1) street and when the curvature of the lot along the street frontage exceeds one hundred thirty-five (135) degrees or more.

Lot, Through. "Through lot" means a lot bounded by two (2) streets that do not intersect at the boundaries of the lot.

Lot Coverage. "Lot coverage" is a measure of intensity of land use which represents the portion of a site that is impervious (i.e. does not absorb water). This portion includes, but is not limited to, all areas covered by buildings, parking structures, driveways, roads, sidewalks, and any areas of concrete asphalt. In the case of lumberyards, areas where lumber is stored also constitutes impervious surfaces.

Lot Depth. "Lot depth" is the distance between the front and rear lot lines measured in the mean direction of the side lines.

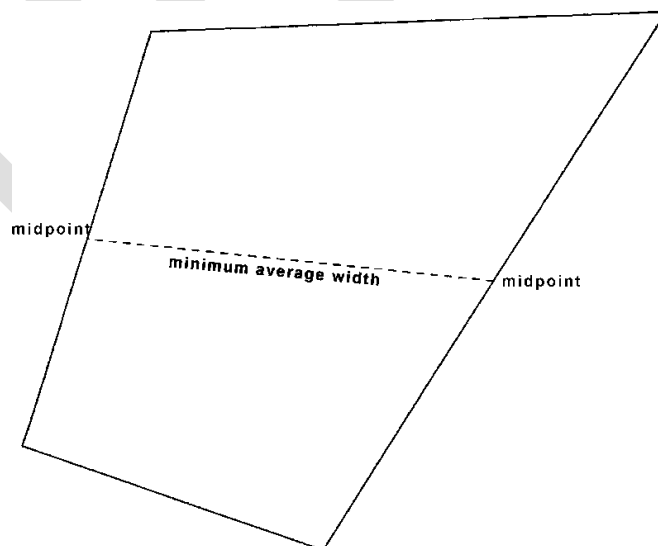
Lot Size. "Lot size" is the total square footage of a lot.

Lot Width. "Lot width" may be determined in one of the following three ways:

- (a) The distance between the side lot lines measured at right angles to the lot depth at a point midway between the front and rear line (see Figure 110.902.15LW1);

Figure 110.902.15.LW1

**DISTANCE BETWEEN SIDE LOT LINES**



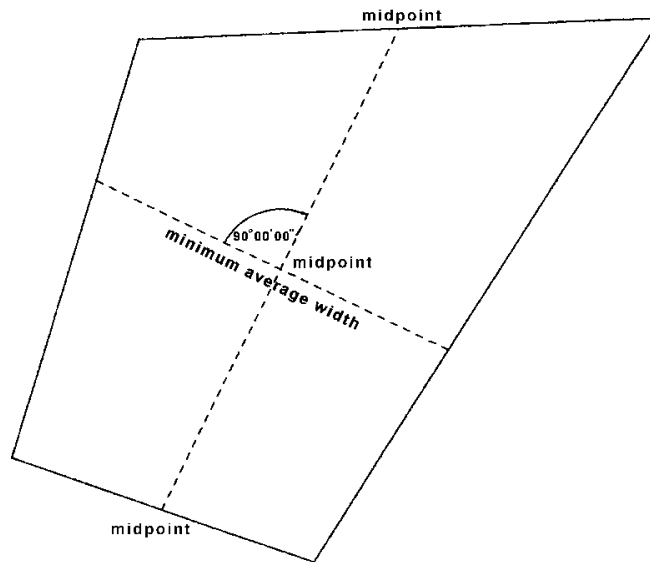
Source: George Lindesmith, PLS.

DRAFT: April 20, 2021

- (b) The distance between the midpoints of the side lot lines (see Figure 110.902.15LW2); or  
Figure 110.902.15.LW2

**DISTANCE BETWEEN MIDPOINTS**

---

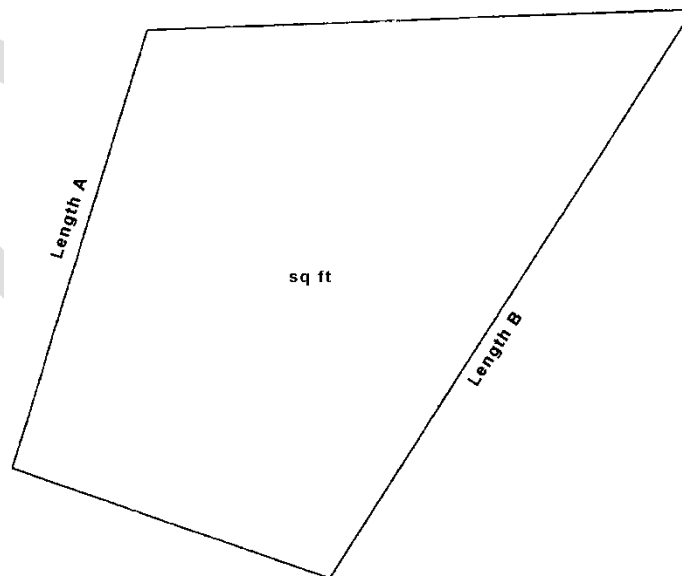


Source: George Lindesmith, PLS.

- (c) Area/Average Depth = Average Width (see Figure 110.902.15LW3).  
Figure 110.902.15.LW3

**AREA/AVERAGE WIDTH**

---



$$\text{Area/Average Depth} = \text{Average Width}$$
$$\text{Area Sq Ft} / \frac{\text{Length A} + \text{Length B}}{2} = \text{Average Width}$$

**DRAFT: April 20, 2021**

---

Source: George Lindesmith, PLS.

Lowest Floor. "Lowest floor" means the lowest floor of the lowest enclosed area (including basement). An unfinished or flood resistant enclosure, usable solely for parking of vehicles, building access or storage, in an area other than a basement area is not considered a building's lowest floor, provided that such enclosure is not built so as to render the structure in violation of the applicable non-elevation design requirements.

Main Building. "Main building" means a building devoted to the principal use of the lot on which it is situated.

Major Subdivision. "Major subdivision" means a subdivision which contains five (5) or more lots, parcels, sites, units, plots or interests.

Manufactured Home. "Manufactured home" is a dwelling unit fabricated in an off-site manufacturing facility for installation or assembly at the building site, bearing the label certifying that it is built in compliance with the Federal Manufactured Housing Construction and Safety Standards in effect on the date of manufacture. A manufactured home is further defined by Nevada Revised Statute (NRS 489.113). A manufactured home is not a mobile home, nor a modular home.

Manufactured Home Park Site. "Manufactured home park site" is the entire tract of land used for a manufactured home park.

Manufactured Home Space. "Manufactured home space" is the area in a manufactured home park that is rented or leased to the occupant or occupants of a manufactured home.

Manufactured Home Subdivision. "Manufactured home subdivision" is a subdivision designed and/or intended for the sale of lots for siting manufactured homes.

Master Plan. "Master Plan" means the Washoe County Master Plan including both countywide elements and area plans, and a number of more detailed plans and studies related to the plans.

Median Income or County Median Income. "Median income" or "County median income" means the level of income in Washoe County whereby one-half (1/2) of the population earns greater than that level of income and one-half (1/2) of the population earns less than that level of income. Median income is determined on a yearly basis by the Department of Housing and Urban Development.

Military Installation. "Military installation" means a base or facility at which or from which the Air Force, Army, Coast Guard, Marine Corps, Navy, Air Force Reserve, Army Reserve, Coast Guard Reserve, Marine Corps Reserve, Navy Reserve or National Guard conducts exercises, maneuvers, operations, patrols or training.

Minor Subdivision. "Minor subdivision" means a subdivision which contains four (4) or less lots, parcels, sites, units, plots or interests.

Minute Action. "Minute action" means an official final decision made by the Board of County Commissioners, as recorded in the County Clerk's minutes.

Mobile Home. "Mobile home" is a transportable, fabricated home, designed to be used as a year-round residential dwelling and built prior to enactment of the Federal Manufactured Housing Construction and Safety Standards Act of 1974, which became effective June 15, 1976. A mobile home, further defined by Nevada Revised Statute (NRS 489.120), does not bear an insignia of approval that the dwelling unit was



**DRAFT: April 20, 2021**

built in compliance with NRS Chapter 461. A mobile home is not a manufactured home, nor a modular home.

Mobile Home Park. "Mobile home park" means a tract of land under single ownership within which two (2) or more manufactured homes are occupied as residences on a permanent or semi-permanent basis. The homes are located on spaces that are rented or leased. Special facilities for the common use of the occupants may be included.

Mobile Home Park Site. "Mobile home park site" is the entire tract of land used for a mobile home park.

Modular Home. "Modular home" is a dwelling unit fabricated in an off-site manufacturing facility for installation or assembly at the building site, bearing a label certifying that it is built in compliance with local International Building Code standards and further meets all requirements of County Code Chapter 100. Modular homes shall be subject to the same permit process as site-built homes. A modular home is not a manufactured home, but includes what is commonly referred to as a panelized home.

Motel. "Motel" means a building occupied or intended to be occupied, for compensation, as the temporary residence for transient guests, primarily persons who have residence elsewhere, with access to each room or unit from an outside porch or landing (whether or not such outside porch or landing is enclosed with screen, glass, plastic or similar material).

Mulch. "Mulch" means an organic or inorganic material applied to landscaped areas to help minimize evaporation from the soil, reduce weeds, moderate soil temperatures and slow erosion.

National Register of Historic Places. "National Register of Historic Places" means the listing maintained by the U.S. National Park Service of areas which have been designated as historically significant. The Register includes places of local and state significance, as well as those of value to the nation in general.

Natural Area. "Natural area" means a land area which is unimproved and not occupied by any structures or man-made elements, and set aside for the conservation of permanent, undisturbed open space.

Net Density. "Net density" is the ratio of the total number of units to the site area minus the area of the streets, parking areas and undevelopable land.

Nevada Natural Heritage Site. "Nevada Natural Heritage Site" means areas of land or water which either:

- (a) Have unusual flora, fauna, geological, scenic or similar features of scientific, educational or recreational interest; or
- (b) Retain some degree, or have re-established, a natural character (although it need not be completely undisturbed).

Non-municipal Air Strips and Glider Ports. "Non-municipal air strips and glider ports" means any Federal Aviation Administration (FAA) recognized public use landing area, privately owned and operated for scheduled or non-scheduled air transportation activities, where commercial uses and aviation related commerce can occur. Such use may include provision of landing privileges, hangar and tie-down lease/rental spaces, fuel and lubrication service, flight instruction, plane rental, mechanical repairs, or any other form of aviation commerce. Uses can also include scenic and sightseeing transportation service including helicopter rides, glider plane rides, air balloon rides, ultra-light and experimental aircraft activities and aircraft charters. The term "non-municipal air strips and glider ports" does not apply to public airports operated by any federal, state or local government agencies. The term also does not apply to a personal landing field that is used for fixed-wing aircraft or helicopter landing operations that are incidental and ancillary to established allowable uses including, but not limited to, agricultural,

**DRAFT: April 20, 2021**

ranching or mining activities, as long as no aviation related commerce is conducted at the personal landing fields.

NRS. "NRS" means Nevada Revised Statutes.

Open Space, Common. "Common open space" means the total land area, not individually owned or dedicated for public use, which is designed and intended for the common use or enjoyment of the residents or occupants of the development. Common open space includes swimming pools, putting greens and other recreational-leisure facilities; areas of scenic or natural beauty and habitat areas; hiking, riding or off-street bicycle trails; and landscaped areas adjacent to roads which are in excess of minimum required rights-of-way.

Open Space, Private. "Private open space" means the outdoor living area directly adjoining a dwelling unit or building which is intended for the private enjoyment of the residents or occupants of the dwelling unit or building and which is defined in such a manner that its boundaries are evident.

Open Space Use. "Open space use" means the current employment of land, the preservation of which use would conserve and enhance natural or scenic resources, protect streams and water supplies or preserve sites designated as historic pursuant to law, provided such land has a greater value for another use than for open space use.

Outdoor Storage. "Outdoor Storage" means the outside placement of items and materials that are incidental to the existing principal use of the property, except as provided for under Section 110.306.35(d), for a period of more than seventy-two (72) consecutive hours. Outdoor storage is further defined and regulated in the Washoe County Nuisance Code (WCC Sections 50.300 to 50.310, inclusive).

Parcel Map. "Parcel map" means a map for a minor subdivision.

Parcel of Land. "Parcel of land" means any unit or contiguous units of land assigned a single parcel number by the Washoe County Assessor's Office.

Parking Area. "Parking area" means an open area, excluding a street or other public right-of-way, used for the parking of vehicles and available to the public, whether for free or for compensation.

Permanent Employee Housing. "Permanent employee housing" means housing for employees of an isolated industrial, mining, railroad, highway, utilities or agricultural based use where those employees occupy the housing on a permanent basis year round. This development may occur on a single parcel or multiple parcels.

Permitted Water Rights. "Permitted water rights" means the right, in accordance with NRS Chapter 533 and as approved by the Nevada State Engineer, to appropriate public waters, or to change the place of diversion, manner of use or place of use of water already appropriated.

Perennial Stream. "Perennial stream" means a stream that flows from source to mouth throughout the year. This definition does not apply to a man-made watercourse constructed for irrigation, aesthetic or other purposes.

Person. "Person" means a firm, association, corporation, partnership or an individual.

Personal Landing Field. "Personal landing field" means a private use aviation landing area that is used for fixed-wing aircraft or helicopter landing operations that are incidental and ancillary to established allowable land uses including, but not limited to, agricultural, ranching or mining activities, as long as no aviation related commerce is conducted at the personal landing fields. Personal landing fields do not

**DRAFT: April 20, 2021**

engage in scheduled or non-scheduled air transportation activities, or in any scenic and sightseeing transportation service, or any other form of aviation commerce. The term "personal landing field" does not apply to "non-municipal air strips and glider ports," or to public airports operated by any federal, state or local government agencies.

Placement. "Placement" means the issuance of a set-up permit by the Building and Safety Department for a manufactured home or mobile home.

Planting Area. "Planting area" means an area devoted to or maintained predominantly with native or exotic plants including turf, groundcover, shrubs, flowers, vines and trees with a limited portion of complementary decorative features.

Plumbing Fixture. A "plumbing fixture" is a receptacle, device, or appliance that is supplied with water or which receives liquid or liquid-borne wastes, and which discharges into a drainage system to which it may be directly or indirectly connected.

Police Powers. "Police powers" means powers reserved to the states by the U.S. Constitution and delegated to cities and counties through the Nevada Constitution and the Nevada Revised Statutes; it is the authority to create and enforce ordinances and regulations that are not in conflict with general laws in order to promote the health, safety and general welfare of the public.

Print. "Print" means and includes a blueprint, photostat, direct process print or other copy which reproduces exactly the original drawing from which it was made.

Private Communication Antenna. "Private communication antenna" means any system of wires or poles or similar devices, excluding satellite dish antennas, used for the transmission or reception of electromagnetic waves by federally licensed amateur radio or citizen band radio operators, which system is external to or attached to the exterior of any building.

Private Garage. "Private garage" means a space intended for or used by the private automobiles of families resident upon the lot.

Public Garage. "Public garage" means a building for the repair, storage or hire of motor vehicles.

Rear Line. "Rear line" means the lot line most directly opposite the front line. A parcel of land may have only one (1) rear line.

Rear Yard. See "Yard, Rear."

Recreational Vehicle. "Recreational vehicle" means a vehicular structure that is primarily designed as temporary living quarters for travel, recreation and camping uses. A recreational vehicle can be self-propelled, mounted on, or towed by a separate vehicle.

Recreational Vehicle Park. "Recreational vehicle park" means a tract of land for the transient use by two or more recreational vehicles.

Regional Plan. "Regional Plan" means the Truckee Meadows Regional Plan.

Required Area. "Required area" means the minimum area of a lot or parcel necessary to permit its use under the provisions of the Development Code. Required area refers to:

- (a) Any lot shown as part of a subdivision recorded as a final plat in the manner provided by law;

**DRAFT: April 20, 2021**

- (b) Any parcel of land separated as a lot prior to the adoption and effective date of the original Washoe County Land Use Ordinance or the adoption of additional regulatory zones; or
- (c) Any lot or parcel of land which has an area not less than that required in the respective regulatory zone.

Residential Facility for Groups. "Residential facility for groups" means an establishment that furnishes food, shelter, assistance and limited supervision to a person with mental retardation or with a disability or a person who is aged or infirm. The term includes, without limitation, an assisted living facility. The term does not include:

- (a) An establishment which provides care only during the day;
- (b) A natural person who provides care for no more than two (2) persons in his or her own home;
- (c) A natural person who provides care for one (1) or more persons related to him or her within the third degree of consanguinity or affinity;
- (d) A halfway house for recovering alcohol and drug abusers; or
- (e) A facility funded by a division or program of the Department of Health and Human Services.

Revegetation. "Revegetation" means stabilizing disturbed or graded soils after construction by replanting with indigenous or natural appearing plants.

Ridgeline. "Ridgeline" means the topmost line connecting the series of highest elevation points of a ridge, running center and parallel to the long axis of the ridge and from which all water drains down.

Ridgeline, Significant. "Significant ridgeline" means the topmost line connecting the series of highest elevation points of a ridge, as identified on the Development Suitability map for each planning area included in Volume Two: Area Plans of the Washoe County Master Plan.

Right-of-Way. "Right-of-way" is a strip of land occupied or intended to be occupied by a publicly dedicated street, including the pavement, sidewalks and parkways, crosswalk, railroad, electric transmission line, oil or gas pipeline, water main, sanitary or storm sewer main, shade streets or other special use.

Riparian. "Riparian" means related to or located on the bank of a natural water course.

Riparian Habitat. "Riparian habitat" means the land and plants bordering a watercourse or lake.

Room. "Room" is space in a structure for living, sleeping, eating or cooking. Bathrooms, toilet compartments, closets, halls, storage or utility space, and similar areas, are not considered habitable space and therefore, not a room.

Roominghouse. "Roominghouse" means a building or portion thereof (not a motel) where, for compensation, lodging is provided for more than three (3) guests.

Runoff. "Runoff" means that part of precipitation which flows over the land without filtering into the soil.

**DRAFT: April 20, 2021**

Rural Regulatory Zones. "Rural regulatory zones" means the Low Density Rural Regulatory Zone, Medium Density Rural Regulatory Zone, and High Density Rural Regulatory Zone.

Satellite Dish Antenna. "Satellite dish antenna" means a device incorporating a reflective surface that is solid, open mesh or bar configured and is in the shape of a shallow dish, cone, horn or cornucopia. Such device shall be used to transmit and/or receive radio or electromagnetic waves between terrestrially and/or orbitally based uses. This definition is meant to include, but not be limited to, what are commonly referred to as satellite earth stations, TVROs (television reception only satellite dish antennas), and satellite microwave antennas.

Scenic Corridor. "Scenic corridor" means a roadway with recognized high quality visual amenities that include background vistas of mountains, open country or city.

School. "School" means an institution of learning which offers instructions in the several branches of learning required to be taught in the public schools of the State of Nevada.

Screen. "Screen" means to provide physical separation and complete visual obscuration of one area from another on all sides and in all seasons. Such separation must be at least six (6) feet high and includes, but is not limited to, the combination or individual use of a fence, decorative wall, structure, earth berm or dense landscaping.

Section 404 (Clean Water Act). "Section 404 (Clean Water Act)" means that section of the Clean Water Act delineating restrictions on the dredging and filling (only) of Wetlands in the United States. While Section 404 Permits are issued by the U.S. Army Corps of Engineers (COE), Section 404 regulations are written by the U.S. Environmental Protection Agency (EPA).

Section 404 (Clean Water Act) Permit. "Section 404 (Clean Water Act) Permit" means the Wetland dredge and fill permit issued under regulations written to conform to Section 404 of the Clean Water Act. The permit is actually granted by the U.S. Army Corps of Engineers (COE).

Sedimentation. "Sedimentation" means the act or process of depositing sediment from suspension in water. All the processes whereby particles of rock material are accumulated to form sedimentary deposits. Sedimentation, as commonly used, involves not only aqueous but also glacial, aeolian, and organic agents. (Water Quality) Letting solids settle out of wastewater by gravity during treatment.

Service Standards. "Service standards" means a measurement of municipal services used to monitor or compare services provided by the County and other service providers.

Setback. "Setback" means the required distance between every structure and the lot line of the lot on which the structure(s) is located.

Shrubs. "Shrubs" means a self-supporting woody species of plants characterized by persistent stems and branches springing from the base.

Side Yard. See "Yard, Side."

Site-Built Home. "Site-built home" means a dwelling unit where the major components are fabricated and assembled at the building site or a dwelling unit constructed at a house construction factory located within Washoe County. Site-built homes shall comply with Washoe County building codes and other adopted local codes.

Slope. "Slope" means an inclined ground surface expressed as a ratio of horizontal distance to vertical distance.

**DRAFT: April 20, 2021**

Slaughter House, Agricultural. "Agricultural slaughter house" means a building used as an ancillary structure on a farm or ranch for the non-profit slaughtering of animals raised on-site and the processing and storage of animal products and waste that results from a slaughtering process.

Slaughter House, Commercial. "Commercial slaughter house" means a building used for the for-profit slaughtering of animals that are either raised on-site or transported to the building and the processing and storage of animal products and waste that results from a slaughtering process.

Solar Energy. "Solar energy" means energy derived from the sun's rays.

Specific Plan. "Specific plan" means a plan prepared for a portion of an area plan which prescribes uses and development standards for that portion.

Story. "Story" is that portion of a building included between the upper surface of any floor and the upper surface of the floor next above, except that the topmost story shall be that portion of a building included between the upper surface of the topmost floor and the ceiling or roof above. If the finished floor level directly above a usable or unused under-floor space is more than six (6) feet above grade as defined herein for more than fifty (50) percent of the total perimeter or is more than twelve (12) feet above grade as defined herein at any point, such usable or unused under-floor space shall be considered as a story.

Story, First. "First story" is the lowest story in a building which qualifies as a story, as defined herein, except that a floor level in a building having only one (1) floor level shall be classified as a first story, provided such floor level is not more than four (4) feet below grade, as defined herein, for more than fifty (50) percent of the total perimeter, or more than eight (8) feet below grade, as defined herein, at any point.

Stream. "Stream" means a general term for a body of flowing water; natural watercourse containing water at least part of the year. In hydrology, the term is generally applied to the water flowing in a natural channel as distinct from a canal. Some classifications of streams include, in relation to time:

- (a) Ephemeral Streams. Streams that flow only in direct response to precipitation and whose channel is at all times above the water table.
- (b) Intermittent or Seasonal Streams. Streams that flow only at certain times of the year when it receives water from springs, rainfall, or from surface sources such as melting snow.
- (c) Perennial Streams. Streams that flow continuously.

Streambanks. "Streambanks" mean the usual boundaries, not the flood boundaries, of a stream channel. Right and left banks are named facing downstream (in the direction of flow).

Street. "Street" means a public right-of-way or easement which affords a primary means of access to abutting property.

Structure. "Structure" means a walled and roofed building or manufactured home, including a gas or liquid storage tank that is primarily above ground. "Structure" does not include a tent, trailer or vehicle.

Subdivider. "Subdivider" means any person or persons, firm, corporation, partnership or association that causes land to be divided into a subdivision for himself or itself or for others. A consultant, engineer or surveyor who does not hold title to the land is not considered a subdivider.

Subdivision. "Subdivision" means any land, vacant or improved, which is divided or proposed to be divided vacant or improved, into two (2) or more lots, parcels, sites, units or plots for the purposes of any

**DRAFT: April 20, 2021**

transfer, development or any proposed transfer or development unless exempted by one of the following provisions:

- (a) "Subdivision" does not apply to any division of land which creates lots, parcels, sites, units or plots of land each of which comprise forty (40) or more acres of land, or 1/16 of a section, including roads and roadway easements, which is subject to the provisions of Article 612.
- (b) Any joint tenancy or tenancy in common shall be deemed a single interest in land.
- (c) Unless a method of disposition is adopted for the purpose of evading this Development Code or would have the effect of evading this Development Code, the term "subdivision" does not apply to:
  - (1) Any division of land which is ordered by any court in this state or created by operation of law;
  - (2) A lien, mortgage, deed of trust or any other security instrument;
  - (3) A security or unit of interest in any investment trust regulated under the laws of this state or any other interest in an investment entity;
  - (4) Cemetery lots; or
  - (5) An interest in oil, gas, minerals or building materials which are not or hereafter severed from the surface ownership or real property.
- (d) "Subdivision" does not apply to creation of parcels of more than (10) acres for agricultural purposes if a street, road or highway opening, widening or easement of any kind is not involved.
- (e) For the purposes of the definition "subdivision," any interest in land created or established as joint tenancy or a tenancy in common shall be a single interest and not an interest in common, if, and only if, the use or development or the proposed use or development of such land would not be a subdivision as defined in this section if undertaken or proposed by a single entity, whether corporate or an individual. See "Major Subdivision" and "Minor Subdivision."

Substantial Improvement. "Substantial improvement" means any repair, reconstruction, additions or other improvement of a structure, the cost of which equals or exceeds fifty (50) percent of the market value of the structure either before the improvement or addition is started or, if the structure has been damaged, before the damage occurred, regardless of the actual repair work performed. For the purpose of this definition, "substantial improvement" is considered to occur when the first alteration of any wall, ceiling, floor or other structural part of the building commences, whether or not that alteration affects the external dimensions of the structure. "Substantial improvement" does not include:

- (a) Any project for improvement of a structure to comply with existing state or local health, sanitary or safety code specifications; or
- (b) Any alteration of a structure listed on the National Register of Historic Places or a State Inventory of Historic Places.

**DRAFT: April 20, 2021**

- (1) "Substantial improvement" is considered to occur when the first alteration of any wall, ceiling, floor or other structural part of the building commences, whether or not that alteration affects the external dimensions of the structure; and
- (2) "Substantial improvement" does not include improvement of a structure solely to comply with existing state or local health, sanitary or safety code specifications, or any alteration of a structure listed on the National Register of Historic Places or a State Inventory of Historic Places.

Suburban Regulatory Zones. "Suburban regulatory zones" means the Low Density Suburban Regulatory Zone, Medium Density Suburban Regulatory Zone, and High Density Suburban Regulatory Zone.

Surface Runoff. "Surface runoff" means water that results from precipitation which is not absorbed by the soil, evaporated into the atmosphere or entrapped by ground surface depressions and vegetation, and which flows over the ground surface to adjoining properties, storm drains or waterways.

Surveyor. "Surveyor" means a land surveyor registered pursuant to NRS Chapter 625.

Temporary Employee Housing. "Temporary employee housing" means housing for employees of an isolated industrial, mining, railroad, highway, utilities or agricultural based use where those employees occupy the housing on a seasonal basis not more than six (6) months per year. This development may occur on a single parcel or multiple parcels.

Tentative Parcel Map. "Tentative parcel map" means a map which is filed pursuant to Article 606, conforming to the standards and requirements set forth therein.

Tentative Subdivision Map. "Tentative subdivision map" means a preliminary map made to show lot lines, roads, buildings, rights-of-ways and other design factors of a proposed subdivision.

Terrace. "Terrace" means a relatively level step constructed in the face of a graded slope surface for drainage, maintenance and/or development purposes.

Threatened Species. "Threatened species" means any species which is likely to become an endangered species within the foreseeable future and which has been designated in the Federal Register as a threatened species.

Through Lot. See "Lot, Through."

Topography. "Topography" means configuration of a surface, including its relief and the position of natural and man-made features.

Topsoil. "Topsoil" means the upper part of the soil profile that is relatively rich in humus, known in agronomy as the "A-horizon."

Total Developed Land Area. "Total developed land area" means that portion of a property which is disturbed for development purposes including, but not limited to, areas covered by buildings, landscaping, impervious surfaces and other areas graded or excavated to support the development.

Trailer Coach. See "Mobile Home."

Travel Trailer. See "Recreational Vehicle."

Tree. "Tree" means a large, woody perennial plant with one main trunk or multiple trunks, and many branches.



**DRAFT: April 20, 2021**

Unladen Weight. "Unladen weight" means the weight of any vehicle without load, but fully equipped with accessories and appliances belonging to and used by such vehicle in the transportation of persons or property.

Uplighting. "Uplighting" means a source of light where the center of the light beam is at an angle greater than the horizontal.

Urban Regulatory Zones. "Urban regulatory zones" means the Low Density Urban Regulatory Zone, Medium Density Urban Regulatory Zone, and High Density Urban Regulatory Zone.

Use or Land Use. "Use" or "land use" means the primary or primary and secondary use(s) of land such as single family residential, multi-family residential, commercial, industrial, agriculture, etc. The description of a particular land use should convey the dominant character of a geographic area and, thereby, establish types of activities which are appropriate and compatible with primary use(s).

Used. "Used" includes "arranged," "designed" or "intended to be used."

Vegetation, Native. "Native vegetation" means plants that grow naturally in Washoe County, Nevada and have adapted to the climate, soil, location and rainfall patterns of their area.

Vegetation, Natural. "Natural vegetation" means plants which exist on a site before clearing or grading.

Viewshed. "Viewshed" means the surface area that can be seen from a specific viewpoint.

Vista. "Vista" means an area of high ground or projecting earth from which there is a dominant and unobstructed view of surrounding areas.

Watercourse. "Watercourse" means any natural or artificial watercourse, stream, river, creek, ditch, channel, canal, conduit, culvert, drain, gully, ravine, arroyo or wash in which water flows in a definite channel, bed or bank.

Waters of the State (Defined) (Nevada Revised Statutes 445A.415). "Waters of the State" means all waters situated wholly or partly within or bordering upon the State of Nevada, including, but not limited to:

- (a) All streams, lakes, ponds, impounding reservoirs, marshes, water courses, waterways, wells, springs, irrigation systems and drainage systems; and
- (b) All bodies or accumulations of water, surface and underground, natural or artificial.

Wetland. "Wetland" means an area that is periodically inundated or saturated by surface or groundwater on an annual or seasonal basis, that displays hydric soils, and that typically supports or is capable of supporting hydrophytic vegetation.

Wetlands (COE and EPA) (Regulatory). "Wetlands (COE and EPA)" means the U.S. Army Corps of Engineers (COE) and the U.S. Environmental Protection Agency (EPA) have adopted a regulatory definition for administering the Section 404 permit program of the Clean Water Act (CWA) as follows: [Wetlands are] those areas that are inundated or saturated by surface or groundwater at a frequency and duration sufficient to support, and that under normal circumstances do support, a prevalence of vegetation typically adapted for life in saturated soil conditions. Wetlands generally include swamps, marshes, bogs and similar areas.

Wetlands (NRCS) (Technical). "Wetlands (NRCS)" mean the (U.S. Department of Agriculture) Natural Resources Conservation Service (NRCS) [formerly the Soil Conservation Service (SCS)] uses the following definition for identifying wetlands on agricultural land in assessing farmer eligibility for U.S.

**DRAFT: April 20, 2021**

Department of Agriculture program benefits under the "Swampbuster" provision of the Food Security Act (FSA) of 1985. As amended in 1990, the FSA states that the term "wetland," except when such term is part of the term "converted wetland," means land that:

- (a) Has a predominance of hydric soils;
- (b) Is inundated or saturated by surface or ground water at a frequency and duration sufficient to support a prevalence of hydrophytic vegetation typically adapted for life in saturated soil conditions; and
- (c) Under normal circumstances does support a prevalence of such vegetation.

Will Serve Letter. "Will serve letter" means a letter from a utility purveyor assuring the provision of services for proposed development.

Yard. "Yard" means an open space on the same lot or parcel used with the building, extending from the setback line to the nearest lot line, to be unoccupied and unobstructed except as provided in the Development Code.

Yard, Front. "Front yard" means a yard lying between the setback line and the front lot line and extending across the full width of the lot or parcel. In the case of either a corner lot or an interior lot with multiple street frontages, all yards abutting streets, other than collectors or arterials, shall be considered as front yards.

Yard, Rear. "Rear yard" means a yard between the setback line and the rear lot line and extending across the full width of the lot or parcel. On a corner lot, the side opposite the shortest front yard width is considered the rear yard of the lot.

Yard, Side. "Side yard" means a yard lying between the setback line and the side lot line and extending from the front yard line to the rear yard line.

Zone or Regulatory Zone. "Zone" or "Regulatory Zone" means a portion of the unincorporated area of Washoe County which is specifically designated in Article 106 of this Development Code.

*[Amended by Ord. 867, provisions eff. 5/27/93; Ord. 873, provisions eff. 6/7/93; Ord. 890, provisions eff. 11/29/93; Ord. 893, provisions eff. 3/4/94; Ord. 899, provisions eff. 5/31/94; Ord. 916, provisions eff. retro. to 5/26/93; Ord. 942, provisions eff. 4/1/96; Ord. 965, provisions eff. 10/1/96; Ord. 1076, provisions eff. 10/1/99; Ord. 1088, provisions eff. 1/28/00; Ord. 1089, provisions eff. retro to 1/1/00; Ord. 1091, provisions eff. 4/28/00; Ord. 1102, provisions eff. 8/11/00; Ord. 1112, provisions eff. 2/15/01; Ord. 1140, provisions eff. 12/31/01; Ord. 1156, provisions eff. 3/22/02; Ord. 1234, provisions eff. 05/21/04; Ord. 1238, provisions eff. 6/4/04; Ord. 1288 and 1290, provisions eff. 3/24/06; Ord. 1347, provisions eff. 11/2/07; Ord. 1356, provisions eff. 12/21/07; Ord. 1447, provisions eff. 9/9/10; Ord. 1451, provisions eff. 1/1/11; Ord. 1485, provisions eff. 3/27/12; Ord. 1504, provisions eff. 3/8/13; Ord 1584, provisions eff 8/19/16; Ord 1587, provisions eff. 11/25/16, Ord. 1640, provisions eff 7/19/19.]*

### SECTION 3. General Terms.

1. All actions, proceedings, matters, and things heretofore taken, had and done by the County and its officers not inconsistent with the provisions of this Ordinance are ratified and approved.

**DRAFT: April 20, 2021**

2. The Chair of the Board and officers of the County are authorized and directed to take all action necessary or appropriate to effectuate the provisions of this Ordinance. The District Attorney is authorized to make non-substantive edits and corrections to this Ordinance.
3. All ordinances, resolutions, bylaws and orders, or parts thereof, in conflict with the provisions of this Ordinance are hereby repealed to the extent only of such inconsistency. This repealer shall not be construed to revive any ordinance, resolution, bylaw or order, or part thereof, heretofore repealed.
4. Each term and provision of this Ordinance shall be valid and shall be enforced to the extent permitted by law. If any term or provision of this Ordinance or the application thereof shall be deemed by a court of competent jurisdiction to be in violation of law or public policy, then it shall be deemed modified, ipso facto, to bring it within the limits of validity or enforceability, but if it cannot be so modified, then the offending provision or term shall be excised from this Ordinance. In any event, the remainder of this Ordinance, or the application of such term or provision to circumstances other than those to which it is invalid or unenforceable, shall not be affected.

Passage and Effective Date

Proposed on \_\_\_\_\_ (month) \_\_\_\_\_ (day), 2021.

Proposed by Commissioner \_\_\_\_\_.

Passed on \_\_\_\_\_ (month) \_\_\_\_\_ (day), 2021

DRAFT: April 20, 2021

Vote:

Ayes:

Nays:

Absent:

---

Bob Lucey, Chair  
Washoe County Commission

ATTEST:

---

Janis Galassini, County Clerk

This ordinance shall be in force and effect from and after  
the 30th day of the month of July of the year 2021.



# WASHOE COUNTY PLANNING COMMISSION Draft Meeting Minutes

## Planning Commission Members

Larry Chesney, Chair  
Francine Donshick, Vice Chair  
Thomas B. Bruce  
Sarah Chvilicek  
Kate S. Nelson  
Larry Peyton  
Pat Phillips

Tuesday, May 4, 2021  
6:00 p.m.

## Secretary

Trevor Lloyd, Secretary

**Zoom Teleconference Only**

---

The Washoe County Planning Commission met in a scheduled session on Tuesday, May 4, 2021, via teleconference.

No members of the public were allowed in the Commission Chambers due to concerns for public safety resulting from the COVID-19 emergency and pursuant to the Governor of Nevada's Declaration of Emergency Directive 006 Section 1 which suspends the requirement in NRS 241.023(1)(b) that there be a physical location designated for meetings of public bodies where members of the public are permitted to attend and participate. This meeting will be held by teleconference only.

The meeting was televised live and replayed on Washoe Channel at: <https://www.washoecounty.us/mgrsoff/Communications/wctv-live.php> also on YouTube at: <https://www.youtube.com/user/WashoeCountyTV>

---

## 1. \*Determination of Quorum

Chair Chesney called the meeting to order at 6:00 p.m. The following Commissioners and staff were present:

Commissioners present: Larry Chesney, Chair  
Francine Donshick, Vice Chair  
Thomas B. Bruce  
Sarah Chvilicek  
Kate S. Nelson  
Larry Peyton  
Pat Phillips

Commissioners absent:

Staff present: Trevor Lloyd, Secretary, Planning and Building  
Roger Pelham, MPA, Senior Planner, Planning and Building  
Courtney Weiche, Planner, Planning and Building  
Dan Cahalane, Planner, Planning and Building  
Julee Olander, Planner, Planning and Building

Jenn Gustafson, Deputy District Attorney, District Attorney's Office  
Lacey Kerfoot, Recording Secretary, Planning and Building  
Donna Fagan, Office Support Specialist, Planning and Building

## **2. \*Pledge of Allegiance**

Commissioner Chesney led the pledge to the flag.

## **3. \*Ethics Law Announcement**

Deputy District Attorney Gustafson provided the ethics procedure for disclosures.

## **4. \*Appeal Procedure**

Secretary Lloyd recited the appeal procedure for items heard before the Planning Commission.

## **5. \*General Public Comment and Discussion Thereof**

Chair Chesney opened the Public Comment period.

## **6. Approval of Agenda**

In accordance with the Open Meeting Law, Commissioner Donshick moved to approve the agenda for the May 4, 2021 meeting as written. Commissioner Peyton seconded the motion, which passed unanimously with a vote of seven for, none against.

## **7. Approval of April 6, 2021 Draft Minutes**

Commissioner Chvilicek moved to approve the minutes for the April 6, 2021, Planning Commission meeting as written. Commissioner Bruce seconded the motion, which passed unanimously with a vote of seven for, none against.

## **8. Public Hearings**

**A. Special Use Permit Case Number WSUP21-0001 (Rock Springs Solar)** [For possible action] – For hearing, discussion and possible action to approve a special use permit for 1) the establishment of a 120MW photovoltaic generation facility and 84MW battery energy storage system which is an Energy Production, Renewable use type; 2) major grading for 627 acres of ground disturbance, including 426,000cy of cut and 426,000cy of fill for site preparation; and 3) requests to vary height, landscaping and parking by allowing structures up to a maximum of 100 ft. tall from 35 ft. tall, waiving all landscaping requirements, and waiving the paved parking requirement. This project meets the standard for a project of regional significance because it will generate more than 5 MW of electricity, require construction of a substation and will require conformance review by the Regional Planning Commission. The substation will be located on APN 074-040-25. This project also requires an amendment to the Regional Utility Corridor Map of the 2019 Truckee Meadows Regional Plan.

- Applicant: CED Rock Springs Solar LLC
- Property Owner: Linda & Terry Bell; Cedar Lindsley Anderson; Luicinda Johnson; Robin & Randall Skipper; Ragnar Kuehnert Trust; Sam Lindsley; Julie Skeen & Peter LaBarge; and Pattee Williams
- Location: Approximately 45 miles northwest of Reno, near Flannigan.
- Assessor's Parcel Numbers: 074-061-21; 074-061-29; 074-061-30; 074-061-36; 074-061-37; 074-061-39; 074-040-20; 074-040-22; 074-040-25

- Parcel Size: Total Project – 660 acres
- Master Plan: Rural
- Regulatory Zone: General Rural
- Area Plan: High Desert
- Citizen Advisory Board: Gerlach\Empire
- Development Code: Authorized in Article 302,810,812
- Commission District: 5 – Commissioner Herman
- Staff: Dan Cahalane, Planner  
Washoe County Community Services Department  
Planning and Building Division
  
- Phone: 775-328-3628
- E-mail: [dcahalane@washoecounty.us](mailto:dcahalane@washoecounty.us)

Trevor Lloyd introduced the item and reminded the Commission this item was continued from the previous meeting.

Dan Cahalane, Washoe County Planner, provided a brief PowerPoint highlighting the projects and the updates since the previous meeting.

Joan Heredia, Rock Springs Solar applicant representative with conEdison, introduced Lisa Briggs. Ms. Briggs provided a brief PowerPoint slideshow.

There was no response to the request for public comment.

Commissioner Chvilicek stated her passion for getting citizen involvement is important. She implored staff to make effort to get it agendaized for CAB feedback. Mr. Cahalane stated it was within 10 days; therefore, it couldn't make it on the CAB agenda. Commissioner Chvilicek noted the schedule for publishing is just as it is for Planning Commission. She said she would like to see the effort made. It's less intimidating for people to provide feedback at a CAB then the Planning Commission meeting.

**MOTION: Chair Chesney moved after giving reasoned consideration to the information contained in the staff report and information received during the public hearing, the Washoe County Planning Commission approve with conditions Special Use Permit Case Number WSUP21-0001 for Applicant CED Rock Springs Solar LLC for the following requests:**

- 1) The establishment of a 120MW photovoltaic generation facility and 84MW battery energy storage system, which is an Energy Production, Renewable Use type;
- 2) Major grading for 627 acres of ground disturbance, including 426,000cy of cut and 426,000cy of fill for site preparation;
- 3) Requests to vary height, landscaping and parking requirements;

having made all five findings in accordance with Washoe County Code Section 110.810.30:

1. **Consistency.** That the proposed use is consistent with the action programs, policies, standards and maps of the Master Plan and the High Desert Area Plan;
2. **Improvements.** That adequate utilities, roadway improvements, sanitation, water supply, drainage, and other necessary facilities have been provided, the proposed improvements are properly related to existing and proposed roadways, and an

adequate public facilities determination has been made in accordance with Division Seven;

3. **Site Suitability.** That the site is physically suitable for an energy production, renewable use and major grading permit and for the intensity of such a development;
4. **Issuance Not Detrimental.** That issuance of the permit will not be significantly detrimental to the public health, safety or welfare; injurious to the property or improvements of adjacent properties; or detrimental to the character of the surrounding area;
5. **Effect on a Military Installation.** Issuance of the permit will not have a detrimental effect on the location, purpose or mission of the military installation.

And having made the additional findings per 110.810.35:

6. **Environment.** That the proposed development is not unduly detrimental to surrounding properties, land uses and the environment in general;
7. **Impact on Scenic Resources.** That the proposed development will not unduly block scenic views or degrade any surrounding scenic resources; and
8. **Reclamation.** That the proposed development will reclaim the site and all affected areas at the conclusion of the operation.

Commissioner Bruce seconded the motion which carried unanimously.

**B. Abandonment Case Number AB21-0004 (Yasord Property)** [For possible action] – For hearing, discussion, and possible action to approve an abandonment of 33-foot wide government patent easements for access and utilities on the west, east and north side of a parcel (APN: 142-241-26) at 14437 Raider Run Road.

- Applicant/Property Owner: Kristen and James Yasord
- Location: 14437 Raider Run Rd.
- Assessor's Parcel Number: 142-241-26
- Parcel Size: ±2.5 acres
- Master Plan: Rural (R) & Residential Rural (RR)
- Regulatory Zone: General Rural (GR) & High Density Rural (HDR)
- Area Plan: South Truckee Meadows
- Citizen Advisory Board: South Truckee Meadows/Washoe Valley
- Development Code: Authorized in Article 806, Vacations and Abandonments of Streets and Easements
- Commission District: 2 – Commissioner Lucey
- Staff: Julee Olander, Planner  
Washoe County Community Services Department Planning and Building Division
- Phone: 775-328-3627
- E-mail: [jolander@washoecounty.us](mailto:jolander@washoecounty.us)

Julee Olander, Washoe County Planner, provided a staff report presentation.

Derek Wilson, applicant representative with Rubicon Group, provided a PowerPoint presentation.



Public Comment:

Bill Trigerio stated he is the property owner due north of this subject property. He said he had concerns because he had heard conflicting stories. He said there is a utility line over the property line of the property owner due west. He said there is a pole mounted transformer that is shared by the 4 parcels. He said his main concern is despite no plan for a house, there is the right to build a second home. He said he was concerned with expanding the building apron so the house could be closer to the property line. His preference is to leave the building apron the same. Secondly, the property easement should be abandoned on both sides of the property or not at all. The abandonment leaves the easement on both sides of property for benefit of one and should be removed on both sides. That was our primary concern. We would like to get all the easements abandoned. He said he is in favor of that. He asked about removing property easement from our property 142-241-23 as long as this application is there. Evidence shows there is no use of the easement. He said he can work with Yasord's about placement of their home. That is their right.

**MOTION: Commissioner Chvilicek Abandonment Case Number AB21-0004 (Yasord Property) I move that, after giving reasoned consideration to the information contained in the staff report and information received during the public hearing, the Washoe County Planning Commission approve, with conditions included as Exhibit A to this matter, Abandonment Case Number WAB21-0004 for Kristen and James Yasord, having made all three findings in accordance with Washoe County Code Section 110.806.20.**

1. **Master Plan.** The abandonment or vacation is consistent with the policies, action programs, standards and maps of the Master Plan and the Southwest Truckee Meadows Area Plan; and
2. **No Detriment.** The abandonment or vacation does not result in a material injury to the public; and
3. **Existing Easements.** Existing public utility easements in the area to be abandoned or vacated can be reasonably relocated to provide similar or enhanced service.

**Commissioner Donshick seconded the motion which passed unanimously.**

**C. Tentative Subdivision Map Case Number WTM21-008 (Braesview Subdivision)** [For possible action] - For hearing, discussion, and possible action to approve a tentative subdivision map to allow the division of 4 parcels totaling 75.88 acres located off Foothill Rd. into 24 lots, with lot sizes ranging from 2.5 to 4.89 acres. The western portion of the site abuts Thomas Creek and will be subject to all requirements of Article 418, Significant Hydrologic Resources. Also, the proposal exceeds the threshold for major grading and will result in  $\pm 7.43$  acres of disturbance including  $\pm 11,543$  CY of excavation and  $\pm 6,674$  CY of imported material.

- Applicant: Thomas Foothill, LLC
- Property Owner: Thomas Foothill, LLC & Casazza Ranch Estates, LLC
- Location: 1455 Foothill Rd. & parcels north of Foothill Rd. to west of Eli Drive
- Assessor's Parcel Number: 044-391-26, 28, 29 & 162-240-01

- Parcel Size: ±17.2, ±15.4, ±15.7 & ±27.5 acres
- Master Plan: Rural Residential (RR)
- Regulatory Zone: High Density Rural (HDR) & General Rural (GR)
- Area Plan: South Truckee Meadows
- Citizen Advisory Board: South Truckee Meadows/Washoe Valley
- Development Code: Authorized in Article 418, Significant, Hydrological Resources; Article 438, Grading Standards; & Article 608, Tentative Subdivision Maps
  
- Commission District: 2 – Commissioner Lucey
- Staff: Julee Olander, Planner  
Washoe County Community Services Department  
Planning and Building Division
  
- Phone: 775-328-3627
- E-mail: [jolander@washoecounty.us](mailto:jolander@washoecounty.us)

Julee Olander, Washoe County Planner, provided a Staff report presentation.

Dave Snelgrove, applicant representative, provided a PowerPoint slideshow. He introduced other representatives (Roger Davidson, Adam Giodano, Ed Thomas, project engineer with Lumos & Associates).

**Public Comment:**

Bill Erlach. asked about the intended access off of Mallory. He said he realized traffic on Foothill doesn't meet threshold for upgrades. He said there is another 54 acres next to this that will be developed that will add to the traffic. 2011 RTC Bike Plan shows that Foothill was supposed to have a bike lane in it. He said lots 1 and 24 have enough room to have a bike lane on their side. They have the space. He said Lot 17 shows a 40 ft drainage easement pointing at his property. He said in heaving rain years, we have had water shed off of that property.

Lisa Mays/Robert Mays said they are on Pickens, across from the proposed development. Mr. Mays stated where the proposed access is located on a curve with an elevation change. There is numerous times during the evening when motorcycles and cars like to speed and it's a blind spot. He said our second concern is what is going to happen to Steamboat water rights. The water comes down through the property and being used for irrigation; it has been that way for 35 years. He heard the developer is trying to change that from surface water rights to ground water rights for agricultural wells to irrigate. He said we have domestic wells. The problem with years like these, service water gets cut off in August because of lack of snowpack. For someone with unlimited access to wells, it may draw down our wells.

Commissioner Phillips asked if the developer changes the surface water rights to accommodate agricultural wells, will that come before the County before it happens. Ms. Olander, read an email from the Water Rights Manager, who said the conversion from Truckee Meadow surface water rights to ground water to be pumped and diverted to wells is not possible. TMWA does not typically allow you to have TMWA water and a well. Its either one or the other. The concerns about the water rights and irrigation wells and also TMWA water service for their house is not possible. Commissioner Phillips asked if they will try to have agricultural wells and TMWA water. Ms.

Olander, states that her understanding is that it is not possible. TMWA wants you to use their water. She said certain places have both, but TMWA is trying to phase those places out.

**MOTION: Commissioner Nelson moved that, after giving reasoned consideration to the information contained in the staff report and information received during the public hearing, the Washoe County Planning Commission approve Tentative Subdivision Map Case Number WTM21-008 for Thomas Foothill, LLC, with the condition included as Exhibit A to this matter, having made all ten findings in accordance with Washoe County Code Section 110.608.25 and having addressed the Special Review Considerations in Washoe County Code Section 110.418.30:**

- 1) **Plan Consistency.** That the proposed map is consistent with the Master Plan and any specific plan;
- 2) **Design or Improvement.** That the design or improvement of the proposed subdivision is consistent with the Master Plan and any specific plan;
- 3) **Type of Development.** That the site is physically suited for the type of development proposed;
- 4) **Availability of Services.** That the subdivision will meet the requirements of Article 702, Adequate Public Facilities Management System;
- 5) **Fish or Wildlife.** That neither the design of the subdivision nor any proposed improvements is likely to cause substantial environmental damage, or substantial and avoidable injury to any endangered plant, wildlife or their habitat;
- 6) **Public Health.** That the design of the subdivision or type of improvement is not likely to cause significant public health problems;
- 7) **Easements.** That the design of the subdivision or the type of improvements will not conflict with easements acquired by the public at large for access through, or use of property within, the proposed subdivision;
- 8) **Access.** That the design of the subdivision provides any necessary access to surrounding, adjacent lands and provides appropriate secondary access for emergency vehicles;
- 9) **Dedications.** That any land or improvements to be dedicated to the County is consistent with the Master Plan; and
- 10) **Energy.** That the design of the subdivision provides, to the extent feasible, for future passive or natural heating or cooling opportunities in the subdivision.

**Section 110.418.30, Special Review Considerations:**

- (a) Conservation of topsoil;
- (b) Protection of surface water quality;
- (c) Conservation of natural vegetation, wildlife habitats and fisheries;

- (d) Control of erosion;
- (e) Control of drainage and sedimentation;
- (f) Provision for restoration of the project site to predevelopment conditions;
- (g) Provision of a bonding program to secure performance of requirements imposed; and
- (h) Preservation of the hydrologic resources, character of the area and other conditions, as necessary.

Commissioner Donshick seconded the motion which passed unanimously by roll call.

**D. Special Use Permit Case Number WSUP21-0006 (Moore DAD)** [For possible action] – For hearing, discussion and possible action to approve a special use permit to allow a detached accessory dwelling at 315 Valparaiso Court (APN 534-132-11) within the Low Density Suburban (LDS) regulatory zone, as required by the Spanish Springs Area Plan, Appendix C, Table C-1.

- Applicant/Property Owner: Linda & Sean Moore
- Location: 315 Valparaiso Ct.
- Assessor's Parcel Number: 534-132-11
- Parcel Size: 1 ac / 43,560 sf
- Master Plan: Suburban Residential
- Regulatory Zone: Low Density Suburban (LDS)
- Area Plan: Spanish Springs
- Citizen Advisory Board: Spanish Springs
- Development Code: Authorized in Article 302, Allowed Uses; Article 306, Accessory Uses and Structures; and Article 810, Special Use Permits
- Commission District: 4 – Commissioner Hartung
- Staff: Courtney Weiche, Planner  
Washoe County Community Services Department  
Planning and Building Division
- Phone: 775-328-3608
- E-mail: [cweiche@washoecounty.us](mailto:cweiche@washoecounty.us)

Courtney Weiche, Washoe County Planner, provided a Staff report presentation.

Commissioner Bruce said he assumed this DAD is not in a Homeowners Association. Ms. Weiche said it is not in an HOA.

There was no response to the request for public comment.

**MOTION: Commissioner Bruce moved that, after giving reasoned consideration to the information contained in the staff report and information received during the public hearing, the Washoe County Planning Commission approve with conditions Special Use Permit Case Number WSUP21-0006 for Linda and Sean Moore, with the conditions, as included as Exhibit A, as amended, to this matter, having made all five findings in accordance with Washoe County Code Section 110.810.30. Conditions made by**

Environmental Health include: 1) Project as proposed will abandon septic and tie both dwellings into sewer. Abandonment permit from EHS and inspection of abandonment is required. 2) All building permits shall be submitted prior to abandoning septic and hooking into municipal sewer and are required to be routed for approval through EHS. Certificate of Occupancy will not be released until septic is properly abandoned. Courtney Weiche noted Exhibit A was sent after the packet went out. DDA Gustafson said the information sent after or provided during the hearing is appropriate.

1. **Consistency.** That the proposed use is consistent with the action programs, policies, standards and maps of the Master Plan and the Spanish Springs Area Plan;
2. **Improvements.** That adequate utilities, roadway improvements, sanitation, water supply, drainage, and other necessary facilities have been provided, the proposed improvements are properly related to existing and proposed roadways, and an adequate public facilities determination has been made in accordance with Division Seven;
3. **Site Suitability.** That the site is physically suitable for a detached accessory dwelling unit and for the intensity of such a development;
4. **Issuance Not Detrimental.** That issuance of the permit will not be significantly detrimental to the public health, safety or welfare; injurious to the property or improvements of adjacent properties; or detrimental to the character of the surrounding area; and,
5. **Effect on a Military Installation.** Issuance of the permit will not have a detrimental effect on the location, purpose or mission of the military installation.

Commissioner Phillips seconded the motion which passed unanimously.

**E. Development Code Amendment Case Number WDCA21-0003 (Continuum of Care Facilities)** [For possible action] – For hearing, discussion and possible action to amend Washoe County Chapter 110 (Development Code) within Articles 304 and 902 by amending various definitions in order to better define the Continuum of Care Facility use type as a commercial use type; clarify that the application of residential density does not apply to May 4, 2021 Washoe County Planning Commission Notice of Meeting and Agenda Page 6 of 7 Continuum of Care Facilities; specifically exempt Continuum of Care Facilities from the definition of “dwelling” and “dwelling unit”; and create a definition for Continuum of Care Unit. If the proposed amendment is initiated, a public hearing and further possible action to deny or recommend approval of the proposed amendment will occur; and if approval is recommended, to authorize the Chair to sign a resolution to that effect.

- Location: County wide
- Development Code: Authorized in Article 821
- Commission District: All Commissioners
- Staff: Dan Cahalane, Planner  
Washoe County Community Services Department  
Planning and Building Division
- Phone: 775-328-3628

- E-mail: [dcahalane@washoecounty.us](mailto:dcahalane@washoecounty.us)

Dan Cahalane, Washoe County Planner, provided a Staff report presentation.

Commissioner Bruce asked a procedural question. He asked if we are considering what was included in the packet, or what was revised in the email received last night. DDA Gustafson said the revised documentation sent to board was also posted to the website to be available to the public at the same time. The revisions are to ensure the title of the ordinance matches the agenda language that was noticed and provided to the public, which also matches the case description. Revisions were for consistency with the title of the ordinance, the case description and what is posted. Commissioner Bruce asked if we should not deliberate on what we had and make changes in a public manner instead of slide under the table, without the revision having been posted when the previous material was posted. He asked if there is a fixed time period before the meeting when this information is available to the public. DDA Gustafson said there is no requirement under the Open Meeting Law that supporting materials be available prior to the meeting. DDA Gustafson said information can be provided at any time. Commissioner Bruce said any additional material should be included as an amendment to the original information. DDA Gustafson said an amendment isn't necessary because only the title of the ordinance was changed to match the language of the agenda item.

Dan Cahalane, Washoe County Planner, provided a Staff report presentation.

There was no response to the requests for public comment.

**MOTION: Commissioner Donshick moved that, after giving reasoned consideration to the information contained in the staff report and information received during the public hearing, the Washoe County Planning Commission recommend approval of WDCA21-0003, to amend Washoe County Chapter 110 (Development Code) within Articles 304 and 902; and, to update these sections with Articles 304 and 902. Commissioner Donshick further move to authorize the Chair to sign the resolution contained in Attachment A on behalf of the Washoe County Planning Commission and to direct staff to present a report of this Commission's recommendation to the Washoe County Board of County Commissioners within 60 days of today's date. This recommendation for approval is based on all the following four findings in accordance with Washoe County Code Section 11.818.15(e).**

**Commissioner Chvilicek seconded the motion which passed unanimously.**

**F. Development Code Amendment Case Number WDCA21-0002 (Washoe County Development Code Amendment to Articles 606 Parcel Maps and 916 Establishment of Committees)** [For possible action] – For hearing discussion and possible action to: Initiate an amendment to Washoe County Code Chapter 110 (Development Code), Article 606, Parcel Maps. The amendment updates references to the current name of the Community Services Department, Planning and Building Division; clarifies language by removing the term "subdivision"; requires approval of a Tentative Subdivision Map, in accordance with WCC 110.608, for division of a lot or lots created within five (5) years of the recording of a

map creating the original parcel; and removes noticing requirements for subsequent tentative parcel maps; and other matters necessarily connected therewith and pertaining there to.

AND

Initiate an amendment to Washoe County Code Chapter 110 (Development Code), Article 916, Establishment of Committees, Section 110.916.05 Parcel Map Review Committee. The amendment clarifies the members of the Parcel Map Review Committee; defines the process of appointment of those members; provides for the appointment of alternate members and sets the terms for the members of that committee.

AND

If the proposed amendments are initiated, hold a public hearing and further possible action to deny or recommend approval of the proposed amendments and, if approval is recommended, to authorize the Chair to sign a resolution to that effect.

- Location: County wide
- Development Code: Authorized in Article 818
- Commission District: All Commissioners
- Staff: Roger Pelham, Senior Planner  
Washoe County Community Services Department  
Planning and Building Division
- Phone: 775-328-3622
- Email: [rpelham@washoecounty.us](mailto:rpelham@washoecounty.us)

Roger Pelham, Washoe County Senior Planner, provided a Staff report presentation.

Chair Chesney asked if he should recuse himself from voting on this matter since he sits on the Parcel Map Review Committee. DDA Gustafson stated she doesn't believe it's necessary since his reason doesn't meet the statutory criterial for abstention.

Chair Chesney said these changes are long overdue. This cleans up the process for the Parcel Map Review Committee. It is a good process. We have had developers use and abuse the system, which is resolved with this process.

Commissioner Donshick asked about the reasoning for noticing requirement being removed. Mr. Pelham explained that the notices were for subsequent parcel maps. There will be no more subsequent parcel maps. Therefore, the noticing is irrelevant. The noticing will be in accordance with the subdivision regulations.

### **MOTION *Initiation***

**Commissioner Chvilicek moved that, after giving reasoned consideration to the information contained in the staff report and received during the public hearing, the Washoe County Planning Commission initiate the amendment to Washoe County Code Chapter 110 within Articles 606 Parcel Maps and 916 Establishment of Committees, Section 110.916.05 Parcel Map Review Committee, as described in the staff report for WDCA21-0002.**

### ***Amendment***

Commissioner Chvilicek moved that, after giving reasoned consideration to the information contained in the staff report and received during the public hearing, the Washoe County Planning Commission recommend approval of WDCA21-0002, to amend Washoe County Code Chapter 110 within Articles 606 Parcel Maps and 916 Establishment of Committees, Section 110.916.05 Parcel Map Review Committee, as described in the staff report for this matter. I further move to authorize the Chair to sign the resolution contained in Exhibit A on behalf of the Planning Commission and to direct staff to present a report of this Commission's recommendation to the Washoe County Board of County Commissioners within 60 days of the date of action by the Planning Commission. This recommendation for approval is based on all of the following four findings in accordance with Washoe County Code Section 110.818.15(e):

1. **Consistency with Master Plan.** The proposed development code amendment is in substantial compliance with the policies and action programs of the Washoe County Master Plan;
2. **Promotes the Purpose of the Development Code.** The proposed development code amendment will not adversely impact the public health, safety or welfare, and will promote the original purposes for the development code as expressed in Article 918, Adoption of Development Code;
3. **Response to Changed Conditions.** The proposed development code amendment responds to changed conditions or further studies that have occurred since the Development Code was adopted by the Board of County Commissioners, and the requested amendment allow for a more desirable utilization of land within the regulatory zones; and,
4. **No Adverse Affects.** The proposed development code amendment will not adversely affect the implementation of the policies and action programs of the Conservation Element or the Population Element of the Washoe County Master Plan.

Commissioner Donshick seconded the initiation and amendment motion which passed unanimously.

## 10. Chair and Commission Items

### \*A. Future agenda items

Commissioner Chvilicek stated she received an email earlier today from Wendy Boreal, a developer from Woodland Village requesting to meet with Commissioner Chvilicek. She said it's not my practice to meet with a developer prior to the item to come before the Commission. She asked for advice from District Counsel. Multiple Commissioners confirmed they received the email. They confirmed they also didn't respond. Mr. Lloyd noted you are under no obligation to meet with a developer. DDA Gustafson stated she will review and provide guidance. She reminded Commissioners not to 'reply all.'

### \*B. Requests for information from staff

Chair Chesney asked when will the Election of Officers occur. Mr. Lloyd noted he will check but believes it will be July. Commissioner Bruce noted it happens in July. Chair Chesney inquired about meeting in person. Mr. Lloyd stated due to the recent directive from the Governor, we will meet in the chambers and provide a hybrid approach with in-person and zoom. Chair Chesney asked if staff will be coming back into the office. Mr. Lloyd stated we haven't nailed down all the details. He said he expects a hybrid approach.



**11. Director's and Legal Counsel's Items**

**\*A. Report on previous Planning Commission items**

Mr. Lloyd reported that the Master Plan Amendment and Regulatory Zone Amendment for Woodland Village Master Plan Amendment went to the Board of County Commissioners on April 13, 2021 and was approved.

**\*B. Legal information and updates**

DDA Gustafson said she is look forward to meeting everyone at the meeting in June. She said she will be attending the meeting in-person

**12. \*General Public Comment and Discussion Thereof**

Commissioner Chvilicek spoke about the recent passing of Bob Webb.

Mr. Lloyd introduced Lacey Kerfoot, new recording secretary.

Commissioner Chvilicek noted we received a public comment from Bill E.

There were no further requests for public comment.

**13. Adjournment**

With no further business scheduled before the Planning Commission, the meeting adjourned at 8:07 p.m.

Respectfully submitted by Misty Moga, Independent Contractor.

Approved by Commission in session on \_\_\_\_\_, 2021

---

Trevor Lloyd  
Secretary to the Planning Commission



## RESOLUTION OF THE WASHOE COUNTY PLANNING COMMISSION

**AMENDS WASHOE COUNTY CHAPTER 110 (DEVELOPMENT CODE) WITHIN ARTICLES 304 AND 902 BY AMENDING VARIOUS DEFINITIONS IN ORDER TO BETTER DEFINE THE CONTINUUM OF CARE FACILITY USE TYPE AS A COMMERCIAL USE TYPE; CLARIFY THAT THE APPLICATION OF RESIDENTIAL DENSITY DOES NOT APPLY TO CONTINUUM OF CARE FACILITIES; SPECIFICALLY EXEMPT CONTINUUM OF CARE FACILITIES FROM THE DEFINITION OF “DWELLING” AND “DWELLING UNIT”; AND CREATE A DEFINITION FOR CONTINUUM OF CARE UNIT**

Resolution Number 21-04

### WHEREAS

- A. Washoe County Code Section 110.818.05 requires that amendments to Washoe County Code Chapter 110 (Development Code) be initiated by resolution of the Washoe County Board of County Commissioners or the Washoe County Planning Commission; and
- B. The Washoe County Planning Commission initiated amendments to Washoe County Code Chapter 110 (Development Code) Article 304, Use Classification System and Article 902, Definitions, on May 4, 2021 as fully described in Exhibit A-1 to this resolution; and
- C. Development Code Amendment Case Number WDCA21-0003, came before the Washoe County Planning Commission for a duly noticed public hearing on May 4, 2021; and
- D. The Washoe County Planning Commission gave reasoned consideration to the information it received regarding the proposed Development Code Amendment; and
- E. Whereas, pursuant to Washoe County Code Section 110.818.15(e), the Washoe County Planning Commission made the following findings necessary to support its recommendation for adoption of the proposed Development Code amendment Case Number WDCA21-0003:
  1. Consistency with Master Plan. The proposed amendment is in substantial compliance with the policies and action programs of the Washoe County Master Plan;
  2. Promotes the Purpose of the Development Code. The proposed development code amendment will not adversely impact the public health, safety or welfare, and will promote the original purposes for the Development Code as expressed in Article 918, Adoption of Development Code;
  3. Response to Changed Conditions. The proposed development code amendment responds to changed conditions or further studies that have occurred since the Development Code was adopted by the Board of County Commissioners, and the requested amendment allow for a more desirable utilization of land within the regulatory zones; and,

Planning Commission Resolution 21-03  
Meeting Date: May 4, 2021  
Page 2

4. No Adverse Affects. The proposed development code amendment will not adversely affect the implementation of the policies and action programs of the Conservation Element or the Population Element of the Washoe County Master Plan.

**NOW, THEREFORE, BE IT RESOLVED** that the Washoe County Planning Commission recommends approval of the ordinance attached hereto as Exhibit A-1.

A report describing this amendment, discussion at this public hearing, this recommendation, and the vote on the recommendation will be forwarded to the Washoe County Board of County Commissioners within 60 days of this resolution's adoption date.

ADOPTED on May 4, 2021.

WASHOE COUNTY PLANNING COMMISSION

ATTEST:

*Trevor Lloyd*

\_\_\_\_\_  
Trevor Lloyd, Secretary

*Larry E. Chesney*

\_\_\_\_\_  
Larry Chesney, Chair



# Planning Commission Staff Report

Meeting Date: May 4, 2021

Revised Agenda Item: 8E

DEVELOPMENT CODE AMENDMENT CASE NUMBER: WDCA21-0003 (CONTINUUM OF CARE FACILITIES DEFINITION and DWELLING DEFINITION CHANGES)

BRIEF SUMMARY OF REQUEST: Amend Articles 304 and 902 to clarify the application of residential density to Continuum of Care Facilities.

STAFF PLANNER: Planner's Name: Dan Cahalane  
Phone Number: 775.328.3628  
E-mail: [dcahalane@washoecounty.us](mailto:dcahalane@washoecounty.us)

## DESCRIPTION

For hearing, discussion and possible action to amend Washoe County Chapter 110 (Development Code) within Articles 304 and 902 by amending various definitions in order to better define the Continuum of Care Facility use type as a commercial use type; clarify that the application of residential density does not apply to Continuum of Care Facilities; specifically exempt Continuum of Care Facilities from the definition of "dwelling" and "dwelling unit"; and create a definition for Continuum of Care Unit.

If the proposed amendment is initiated, a public hearing and further possible action to deny or recommend approval of the proposed amendment will occur; and if approval is recommended, to authorize the Chair to sign a resolution to that effect.

- ◆ Location: County wide
- ◆ Dev Code: Authorized in Article 821
- ◆ Comm. District: All Commissioners

Deny Initiation

Initiate and Recommend Approval

Initiate and Recommend

## POSSIBLE MOTION

I move that, after giving reasoned consideration to the information contained in the staff report and information received during the public hearing, the Washoe County Planning Commission initiate and recommend approval of WDCA21-003, to amend Washoe County Chapter 110 (Development Code) within Article 304 and 902 as reflected in the proposed ordinance contained in Attachment A-1. I further move to authorize the Chair to sign the resolution contained in Attachment A on behalf of the Washoe County Planning Commission and to direct staff to present a report of this Commission's recommendation to the Washoe County Board of County Commissioners within 60 days of today's date. This recommendation for approval is based on all the following four findings in accordance with Washoe County Code Section 110.818.15(e):

*(Motion with Findings on Page 7)*

Development Code Amendments ..... 3  
Background and Proposed Amendments ..... 3  
Proposed Amendments..... 5  
Findings ..... 6  
Public Notice ..... 7  
Recommendation..... 7  
Motion..... 7  
Appeal Process..... 8

---

**Attachment Contents**

Resolution.....Exhibit A  
Draft Ordinance.....Exhibit A-1  
Development Code – Marked Up Copy.....Exhibit B  
Development Code – Clean Copy..... Exhibit C

## **Development Code Amendments**

The Washoe County Development Code is Chapter 110 of the Washoe County Code (WCC). The development code broadly regulates allowable and permitted land uses, subdivision of land, planning permit requirements and procedures, signage, infrastructure availability, land use development standards, and other related matters. Because the development code covers so many varying aspects of land use and development standards, it is expected that from time to time it may be necessary to change or amend one or more portions of the development code to keep it up to date with the most current and desirable trends in planning and development.

The development code amendment process provides a method of review and analysis for such proposed changes. Development code amendments may be initiated by the Washoe County Commission, the Washoe County Planning Commission, or an owner of real property. Development code amendments are initiated by resolution of the Washoe County Commission or the Planning Commission. Real property owners may apply to initiate a development code amendment.

After initiation, the Planning Commission considers the proposed amendment in a public hearing. The Planning Commission may recommend approval, approval with modifications or denial of the proposed amendment. The Planning Commission records its recommendation by resolution.

The Washoe County Commission hears all amendments recommended for approval, and amendments recommended for denial upon appeal. The County Commission will hold a first reading and introduction of the ordinance (proposed amendment), followed by a second reading and possible ordinance adoption in a public hearing at a second meeting at least two weeks after the first reading. Unless otherwise specified, ordinances are effective 10 days after adoption.

## **Background and Proposed Amendments**

### **BACKGROUND ON PROPOSED CODE CHANGES**

Washoe County has experienced an increased demand for senior housing and senior care facilities. Unfortunately, this demand has revealed a contradiction regarding the level of residential density allowed for continuum of care facilities per WCC 110.304.25(k), WCC 110.106.15(q) and (r) and WCC Table 110.406.05.1.

WCC 110.304.25(k) defines Continuum of Care Facilities, Seniors as:

*Continuum of care facilities for seniors use type refers to establishments that provide **range housing, activities, and health services** to allow for adults to age in place. **Residential density** and parking standards shall be determined in the special use permit; all other development standards shall apply. Facilities may include independent living, assisted living, nursing care, and hospice care as well as accessory housing for staff, and medical facilities and services for residents.*

### ***Permissible Uses Contradiction***

Article 302, Allowed Uses, outlines the permissible regulatory zones for continuum of care facilities. A condensed representation of permissible regulatory zones per WCC Table 110.302.05.3 is provided below:

Regulatory Zones	MDS/MDS4	HDS	LDU	MDU	HDU	GC	NC
Continuum of Care Facilities	S2	S2	S2	S2	S2	S2	S2

S2= Board of Adjustment Special Use Permit per Article 810

Article 106 (Master Plan Categories and Regulatory Zones) and Article 406 (Building Placement Standards) set the number of dwelling units per acre for each regulatory zone. The following table outlines the dwelling units per acre for regulatory zones that permit a continuum of care use type per WCC Table 110.406.05.1, which generally corresponds to Article 106:

Regulatory Zones	MDS	MDS4	HDS	LDU	MDU	HDU	GC	NC
Dwelling Units per Acre	3h	4h	7a	10b	21c	42c	n/a	5

a - 7 dwelling units per acre single-family detached; 9 dwelling units per acre for attached single-family and mobile home parks

b - 10 dwelling units per acre for single-family detached; 14 dwelling units per acre for multi-family and 12 units per acre for mobile home parks

c - Multi-family

h - 3 dwelling units per acre single-family detached; 5 dwelling units per acre for both single-family attached and manufactured home parks within areas designated as Trailer (TR) Overlay zone in effect prior to May 26, 1993

Staff reads both this table and WCC 110.106.15(r) and (q) as setting the upper limit of allowable density within the specific regulatory zones. Note, there is no set dwelling unit per acre associated with General Commercial (GC) regulatory zones in either Article 106 or 406. Further, there is no set dwelling unit per acre associated with the Neighborhood Commercial (NC) regulatory zone in Articles 106.

The county's definition of a dwelling unit is specifically defined per WCC 110.902.15:

*"Dwelling unit" means any building or portion thereof, including a fabricated home or portion thereof, **which contains at a minimum permanent kitchen and bathroom (i.e. a toilet) facility**, but which may also include living, sleeping, and eating facilities as required by the Development Code, the International Building Code, and/or the National Manufactured Home and Safety Standards Act.*

Further, WCC 110.902.15 defines a Dwelling as:

*"Dwelling" means any building or portion thereof used exclusively for residential purposes but **does not include hotels, clubs, boardinghouses or rooming houses, fraternity or sorority houses, or institutions.***

These definitions include any range of housing within a Continuum of Care Facility that includes **both** a kitchen and a bathroom. Therefore, in conjunction with WCC Table 110.406.05.1 and Article 106, staff reads this as a prohibition of dwelling units within the General Commercial regulatory zone. This represents a conflict between what is permissible within Table 110.302.05.3, which provides for the placement of Continuum of Care Facilities in the GC regulatory zone, and what can actually be constructed. This code update is intended to resolve these conflicts.

Staff believes that the application of residential density to a commercial use like Continuum of Care Facilities is at the root of these conflicts. Therefore, staff recommends clarifying the definition of Continuum of Care Facilities, Residential Density, and Dwelling while adding a Continuum of Care Unit definition as proposed below.

### **Proposed Amendments**

The proposed additions to the code are represented in **bold**. The proposed deletions to the code are represented in ~~red~~.

### **Article 304**

110.304.25(k) Continuum of Care Facilities, Seniors. Continuum of care facilities for seniors use type refers to **commercial** establishments that provide ~~range~~ housing, activities and **twenty-four-hour skilled nursing or medical care** ~~health services~~ to allow for adults to age in place. ~~Residential density~~ **The number of continuum of care units** and parking standards shall be determined **through** ~~in~~ the special use permit process. ~~all~~ **All** other development standards shall apply. Facilities may include independent living, assisted living, nursing care, ~~and~~ hospice care, ~~as well as~~ accessory housing for staff, and medical facilities and services for residents.

*Staff Comment:* The proposed amendments clearly define that the Continuum of Care use is **not** a Residential Use type as outlined in 110.304.15:

Residential Use Types. Residential use types include the occupancy of living accommodations, but exclude institutional living arrangements providing twenty-four-hour skilled nursing, custodial or medical care and those providing forced residence, such as asylums and prisons.

Since the Continuum of Care Facilities are not a residential use, they should not be defined by residential density. Staff has proposed using continuum of care units as an alternative method to measure development intensity of Continuum of Care Facilities.

### **Article 902**

Density or Residential Density. "Density" or "residential density" means the number of dwelling units per gross acre for residential uses **as defined in Article 304, Use Classification System**.

*Staff Comment:* The proposed addition clarifies that residential density of dwelling units per acre only applies for residential use types as defined in Article 304. Currently, many non-residential uses meet the definition of Dwelling Unit, as defined here: Dwelling Unit. "Dwelling unit" means any building or portion thereof, including a fabricated home or portion thereof, which contains at a minimum permanent kitchen and bathroom (i.e. a toilet) facilities, but which may also include living, sleeping, and eating facilities as required by the Development Code, the International Building Code, and/or the National Manufactured Home and Safety Standards Act.

This addition better clarifies the distinction between residential and commercial uses that may include both a kitchen and bathroom. That way hotels, restaurants, group care facilities, etc. are not considered to have residential density.

Dwelling. "Dwelling" means any building or portion thereof used exclusively for residential purposes but does not include hotels, clubs, boardinghouses or rooming houses, fraternity or sorority houses, **continuum of care facilities** or institutions.



**Staff Comment:** The proposed addition of continuum of care facilities specifically excludes Continuum of Care uses from being considered a dwelling.

Dwelling Unit. "Dwelling unit" means any building or portion thereof, including a fabricated home or portion thereof, which contains at a minimum permanent kitchen and bathroom (i.e. a toilet) facilities **for residential use types as defined in defined in Article 304, Use Classification System**, but which may also include living, sleeping, and eating facilities as required by the Development Code, the International Building Code, and/or the National Manufactured Home and Safety Standards Act

**Staff Comment:** The proposed addition of continuum of care facilities specifically excludes Continuum of Care uses from being considered a dwelling.

**Continuum of Care Unit – A unit that is within a continuum of care facility that includes living and sleeping facilities as defined by the Development Code, the International Building Code, and/or the National Manufactured Home and Safety Standards Act.**

**Staff Comment:** The proposed addition of Continuum of Care Unit allows staff to define and regulate the number of units that contain living and sleeping facilities in a Continuum of Care home.

## **Findings**

Washoe County Code Section 110.818.15(e) requires the Planning Commission to make at least one of the following findings of fact. Staff provides the following evaluation for each of the findings of fact and recommends that the Planning Commission make all four findings in support of the proposed Development Code amendment.

1. **Consistency with Master Plan.** The proposed development code amendment is in substantial compliance with the policies and action programs of the Washoe County Master Plan.

**Staff comment:** The proposed development code amendments are in substantial compliance with the policies and action programs of the Washoe County Master Plan. This does not affect the potential location of residential density within the county.

2. **Promotes the Purpose of the Development Code.** The proposed development code amendment will not adversely impact the public health, safety, or welfare, and will promote the original purposes for the development code as expressed in Article 918, Adoption of Development Code.

**Staff comment:** The proposed development code changes will not adversely impact the public health, safety or welfare and will promote the original purposes of the development code. The proposed changes specifically advance the purpose to "promote the economic and social advantages gained from an appropriated regulated use of land resources" by clarifying that Continuum of Care Facilities are a commercial use and are not subject to strict residential density standards in the regulatory zones where the use is permissible.

3. **Response to Changed Conditions.** The proposed development code amendment responds to changed conditions or further studies that have occurred since the Development Code was adopted by the Board of County Commissioners, and the requested amendment allow for a more desirable utilization of land within the regulatory zones.

Staff comment: The proposed code amendments respond to the growing need to provide senior housing within Washoe County. This removes the hurdle of residential density applying to commercial uses.

4. No Adverse Effects. The proposed development code amendment will not adversely affect the implementation of the policies and action programs of the Conservation Element or the Population Element of the Washoe County Master Plan.

Staff comment: The proposed development code amendment will not adversely affect the implementation of the policies and action programs of the Conservation Element or Population Element of the Washoe County Master Plan.

### **Public Notice**

Pursuant to Washoe County Code Section 110.818.20, notice of this public hearing was published in the newspaper at least 10 days prior to this meeting, and the Chair and membership of all Citizen Advisory Boards were likewise notified of the public hearing. Such notification was accomplished, and staff can provide proof of notification if requested.

### **Recommendation**

It is recommended that the Washoe County Planning Commission recommend approval of WDCA21-0003, to amend Washoe County Chapter 110 (Development Code) within Articles 304 and 902 as reflected in the proposed ordinance included as Attachment A-1. The following motion is provided for your consideration.

### **Motion**

I move that, after giving reasoned consideration to the information contained in the staff report and information received during the public hearing, the Washoe County Planning Commission recommend approval of WDCA21-0003, to amend Washoe County Chapter 110 (Development Code) within Articles 304 and 902; and, to update these sections within Articles 304 and 902. I further move to authorize the Chair to sign the resolution contained in Attachment A on behalf of the Washoe County Planning Commission and to direct staff to present a report of this Commission's recommendation to the Washoe County Board of County Commissioners within 60 days of today's date. This recommendation for approval is based on all the following four findings in accordance with Washoe County Code Section 110.818.15(e):

1. Consistency with Master Plan. The proposed Development Code amendment is in substantial compliance with the policies and action programs of the Washoe County Master Plan.
2. Promotes the Purpose of the Development Code. The proposed Development Code amendment will not adversely impact the public health, safety, or welfare, and will promote the original purposes for the Development Code as expressed in Article 918, Adoption of Development Code.
3. Response to Changed Conditions. The proposed development code amendment responds to changed conditions or further studies that have occurred since the Development Code was adopted by the Board of County Commissioners, and the requested amendment allow for a more desirable utilization of land within the regulatory zones; and,

4. No Adverse Effects. The proposed development code amendment will not adversely affect the implementation of the policies and action programs of the Conservation Element or the Population Element of the Washoe County Master Plan.

### **Appeal Process**

An appeal of the Planning Commission's denial of a development code amendment may be made to the Washoe County Board of County Commissioners within 10 calendar from the date that the Planning Commission's decision is filed with the Secretary to the Planning Commission, pursuant to Washoe County Code Section 110.818.25 and Washoe County Code Section 110.912.20.

Attachments:     Exhibit A – Planning Commission Resolution  
                      Exhibit A1 – Draft Ordinance  
                      Exhibit B – Development Code update – clean  
                      Exhibit C – Development Code update – markup.



## RESOLUTION OF THE WASHOE COUNTY PLANNING COMMISSION

**AMENDS WASHOE COUNTY CHAPTER 110 (DEVELOPMENT CODE) WITHIN ARTICLES 304 AND 902 BY AMENDING VARIOUS DEFINITIONS IN ORDER TO BETTER DEFINE THE CONTINUUM OF CARE FACILITY USE TYPE AS A COMMERCIAL USE TYPE; CLARIFY THAT THE APPLICATION OF RESIDENTIAL DENSITY DOES NOT APPLY TO CONTINUUM OF CARE FACILITIES; SPECIFICALLY EXEMPT CONTINUUM OF CARE FACILITIES FROM THE DEFINITION OF “DWELLING” AND “DWELLING UNIT”; AND CREATE A DEFINITION FOR CONTINUUM OF CARE UNIT**

Resolution Number 21-04

### WHEREAS

- A. Washoe County Code Section 110.818.05 requires that amendments to Washoe County Code Chapter 110 (Development Code) be initiated by resolution of the Washoe County Board of County Commissioners or the Washoe County Planning Commission; and
- B. The Washoe County Planning Commission initiated amendments to Washoe County Code Chapter 110 (Development Code) Article 304, Use Classification System and Article 916, Definitions, on May 4, 2021 as fully described in Exhibit A-1 to this resolution; and
- C. Development Code Amendment Case Number WDCA21-0003, came before the Washoe County Planning Commission for a duly noticed public hearing on May 4, 2021; and
- D. The Washoe County Planning Commission gave reasoned consideration to the information it received regarding the proposed Development Code Amendment; and
- E. Whereas, pursuant to Washoe County Code Section 110.818.15(e), the Washoe County Planning Commission made the following findings necessary to support its recommendation for adoption of the proposed Development Code amendment Case Number WDCA21-0003:
  1. Consistency with Master Plan. The proposed amendment is in substantial compliance with the policies and action programs of the Washoe County Master Plan;
  2. Promotes the Purpose of the Development Code. The proposed development code amendment will not adversely impact the public health, safety or welfare, and will promote the original purposes for the Development Code as expressed in Article 918, Adoption of Development Code;
  3. Response to Changed Conditions. The proposed development code amendment responds to changed conditions or further studies that have occurred since the Development Code was adopted by the Board of County Commissioners, and the requested amendment allow for a more desirable utilization of land within the regulatory zones; and,

4. No Adverse Affects. The proposed development code amendment will not adversely affect the implementation of the policies and action programs of the Conservation Element or the Population Element of the Washoe County Master Plan.

**NOW, THEREFORE, BE IT RESOLVED** that the Washoe County Planning Commission recommends approval of the ordinance attached hereto as Exhibit A-1.

A report describing this amendment, discussion at this public hearing, this recommendation, and the vote on the recommendation will be forwarded to the Washoe County Board of County Commissioners within 60 days of this resolution's adoption date.

ADOPTED on May 4, 2021.

WASHOE COUNTY PLANNING COMMISSION

ATTEST:

---

Trevor Lloyd, Secretary

---

Larry Chesney, Chair

DRAFT: April 20, 2021

WORKING COPY  
INFORMATION ONLY

REGULAR TEXT: NO CHANGE IN LANGUAGE

~~STRIKEOUT TEXT: DELETE LANGUAGE~~

**UNDERLINE TEXT: NEW LANGUAGE**

\*\*\*\*\*

Notice: Per NRS 239B.030, this document does not contain personal information as defined in NRS 603A.040

**Summary: AMENDS WASHOE COUNTY CODE CHAPTER 110 (DEVELOPMENT CODE) ARTICLES 304 AND 902 TO BETTER DEFINE THE CONTINUUM OF CARE USE TYPE**

BILL NO. \_\_\_\_\_

ORDINANCE NO. \_\_\_\_\_

Title:

Amends Washoe County Chapter 110 (Development Code) within Articles 304 and 902 by amending various definitions in order to better define the Continuum of Care Facility use type as a commercial use type; clarify that the application of residential density does not apply to Continuum of Care Facilities; specifically exempt Continuum of Care Facilities from the definition of "dwelling" and "dwelling unit"; and create a definition for Continuum of Care Unit

WHEREAS:

- A. This Commission desires to amend Articles 304 and 902 of the Washoe County Development Code (Chapter 110) in order to better define the Continuum of Care Facility use type as a commercial use type, clarify that the application of residential density does not apply to Continuum of Care Facilities, and better define "dwelling," "dwelling unit" and, "continuum of care unit."
- B. The Washoe County Planning Commission initiated the proposed amendments to Washoe County Code Chapter 110,

**DRAFT: April 20, 2021**

Development Code, by Resolution Number 21-04 on May 4, 2021; and,

- C. The amendments and this ordinance were drafted in concert with the District Attorney, and the Planning Commission held a duly noticed public hearing for WDCA21-0003 on May 4, 2021, and adopted Resolution Number 21-04 recommending adoption of this ordinance; and,
- D. Following a first reading and publication as required by NRS 244.100 (1), and after a duly noticed public hearing, this Commission desires to adopt this Ordinance; and,
- E. This Commission has determined that this ordinance is being adopted pursuant to requirements set forth in Chapter 278 of NRS, therefore it is not a "rule" as defined in NRS 237.060 requiring a business impact statement.

THE BOARD OF COUNTY COMMISSIONERS OF WASHOE COUNTY DOES HEREBY ORDAIN:

SECTION 1. Article 304 of the Development Code, Chapter 110 of the Washoe County Code, is hereby amended as follows:

## ***Article 304***

# ***USE CLASSIFICATION SYSTEM***

---

### **Sections:**

<b>110.304.00</b>	<b>Purpose</b>
<b>110.304.05</b>	<b>Classification Rules</b>
<b>110.304.10</b>	<b>Authority and Responsibility</b>
<b>110.304.15</b>	<b>Residential Use Types</b>
<b>110.304.20</b>	<b>Civic Use Types</b>
<b>110.304.25</b>	<b>Commercial Use Types</b>
<b>110.304.30</b>	<b>Industrial Use Types</b>
<b>110.304.35</b>	<b>Agricultural Use Types</b>

**Section 110.304.00 Purpose.** The purpose of this article, Article 304, Use Classification System, is to classify uses according to a limited number of use types on the basis of common functional, product or compatibility characteristics, thereby providing a basis for regulation of uses in accordance with criteria

DRAFT: April 20, 2021

which are directly relevant to the public interest. These provisions shall apply throughout the Development Code.

**Section 110.304.05 Classification Rules.** Uses will be classified into use types based upon the descriptions in Section 110.304.15 through Section 110.304.35, inclusive. The classifications shall comply with the provisions of this section.

- (a) Types of Uses Regulated. Only principal uses are included within the use classification system. Accessory uses and temporary uses are regulated by Article 306, Accessory Uses and Structures, and Article 310, Temporary Uses and Structures, respectively.
- (b) Typical Uses within Use Types. The description of the use types in this article often contain usual and customary uses classified within that use type. These usual and customary uses are examples and are not meant to include all uses that may properly be classified within the use type.
- (c) Classifying New Uses. New uses shall be classified into use types based upon the description of the use types and upon characteristics similar to other uses already classified within the use type, subject to the applicable provisions of subsection (d) of the section. The North American Industry Classification System shall be used to help define new uses when deemed appropriate by the Director of Community Development.
- (d) Classifying Several Uses on the Same Parcel. The principal uses conducted on a single parcel shall be classified separately.

*[Amended by Ord. 875, provisions eff. 8/3/93; Ord. 1433, provisions eff. 3/5/10.]*

**Section 110.304.10 Authority and Responsibility.** The Director of Community Development shall have the following authority and responsibilities with respect to the use classification system:

- (a) Classifying Uses. The Director of Community Development shall have the authority to classify uses according to use types or to determine that a use does not fit under any use type and, therefore, is not permitted. The classification of a use is an administrative decision without notice and hearing, except that an applicant can appeal the decision pursuant to Article 808, Administrative Permits.
- (b) List of Uses. The Director of Community Development shall develop and maintain an administrative list of common uses and the use types into which they are classified.

**Section 110.304.15 Residential Use Types.** Residential use types include the occupancy of living accommodations on a wholly or primarily non-transient basis but exclude institutional living arrangements providing twenty-four-hour skilled nursing or medical care and those providing forced residence, such as asylums and prisons.

- (a) Family Residential. The family residential use type refers to the occupancy of living quarters by one (1) or more families. The following are family residential use types:
  - (1) Attached Accessory Dwelling Unit. An attached accessory dwelling unit is a portion of or an addition to a single family main dwelling that has been designed or configured to be used as a separate and independent dwelling unit. An attached accessory dwelling unit includes, at a minimum, permanent kitchen and bathroom (i.e. a toilet) facilities, but may also include living, sleeping, and eating facilities, all separated from the main unit by walls or ceilings and accessed through a lockable exterior or interior door. The attached accessory dwelling unit



DRAFT: April 20, 2021

shall not exceed forty (40) percent of the total square footage of the main dwelling unit or 1,000 square feet, whichever is smaller. The square footage of garages, crawl spaces, cellars, attics, or basements not designed for human occupancy shall not be included when calculating the total square footage of the main dwelling unit, unless such areas have been legally converted into habitable space. An attached accessory dwelling may be created by converting part of, or adding on to, an existing single family main dwelling. To be considered attached, the accessory dwelling unit must abut (i.e. be on the opposite side of a wall or ceiling) the habitable space of the main dwelling, or the ceiling of a garage attached to the main dwelling. Incidental and accessory features such as trellises, decks, patios, breezeways, or tool sheds will not be considered as establishing an attached structure/dwelling. Typical uses include guest rooms, guest apartments and "granny flats."

- (2) Detached Accessory Dwelling Unit. A detached accessory dwelling unit refers to a dwelling unit on the same lot as the main dwelling unit, but which is physically separated from the main dwelling unit. A detached accessory dwelling unit is designed and configured to provide independent living facilities for one or more persons, and includes, at a minimum, permanent kitchen and bathroom (i.e. a toilet) facilities, but which may also include living, sleeping, and eating facilities. Except in the Medium Density Suburban (MDS) Regulatory Zone, a detached accessory dwelling unit shall not exceed fifteen hundred (1,500) square feet or fifty (50) percent of the total square footage of the main dwelling unit, whichever is smaller. In the Medium Density Suburban (MDS) Regulatory Zone, the detached accessory dwelling unit shall not exceed eight hundred (800) square feet or fifty (50) percent of the total square footage of the main dwelling unit, whichever is smaller. The square footage of garages, crawl spaces, cellars, attics, or basements not designed for human occupancy shall not be included when calculating the total square footage of the main dwelling unit, unless such areas have been legally converted into habitable space. Typical uses include guest houses, second units, "granny flats" and caretaker's quarters.
- (3) Detached Accessory Structure. A detached accessory structure refers to a building or structure on the same lot as the main residential structure and devoted to a use incidental to that main residential structure. A detached accessory structure is not designed, configured, or used for human habitation. The detached accessory structure may be connected to water and wastewater systems subject to the recordation of a deed restriction prohibiting the use of the structure as a dwelling unit. Installation of both a kitchen (as defined in Article 902) and a toilet in a detached accessory structure shall render the structure as a dwelling unit and subject to the accessory dwelling unit provisions. Typical uses include storage buildings and sheds, barns and detached garages.
- (4) Duplex. Duplex refers to the use of a parcel for two (2) dwelling units in a single structure.
- (5) Multi-Family. Multi-family refers to the use of a parcel for three (3) or more dwelling units within one (1) or more buildings, including condominium developments.
- (6) Single Family, Attached. Single family, attached refers to two (2) or more dwelling units constructed with a common or abutting wall with each located on its own separate parcel.

DRAFT: April 20, 2021

- (7) Single Family, Detached. Single family, detached refers to the use of a parcel for only one (1) dwelling unit.
- (b) Manufactured Home Parks. Manufactured home parks use type refers to the occupancy of a dwelling unit defined as a mobile home or a manufactured home and which is located in a site defined as a manufactured home park.
- (c) Group Home. Group home use type refers to the occupancy of a single family dwelling by and the care for a group of ten (10) or fewer persons on a weekly or longer basis who are not defined as a family. The number of persons who reside in a group home excludes any caregivers and their family who also reside in the single family residence.
  - (1) This term includes specifically the following uses:
    - (i) Residential facility for groups; or
    - (ii) Home for individual residential care;
    - (iii) Halfway house for recovering alcohol or drug abusers;
    - (iv) Group foster home.
  - (2) The term group home does not include a child care institution or a facility for transitional living for released offenders.

*[Amended by Ord. 875, provisions eff. 8/3/93; Ord. 959, provisions eff. 7/26/96; Ord. 1088, provisions eff. 1/28/00; Ord. 1156, provisions eff. 3/22/02; Ord. 1451, provisions eff. 1/1/11; Ord. 1485, provisions eff. 3/27/12.]*

**Section 110.304.20 Civic Use Types.** Civic use types include the performance of utility, educational, cultural, medical, protective, governmental and other uses which are strongly vested with public or social importance.

- (a) Administrative Services. Administrative services use type refers to consulting, record keeping, clerical or public contact services that deal directly with the citizen, together with incidental storage of necessary equipment and vehicles.
- (b) Child Care. Child care use type refers to the use of a building or a portion thereof for the daytime care of individuals under eighteen (18) years of age. Child care use types are subject to the regulations and permission of the Washoe County Department of Social Services. This use type includes nursery schools, preschools, daycare centers and similar uses, but excludes those classified under education. The following are child care use types:
  - (1) Family Daycare. Family daycare refers to daycare services provided for six (6) or fewer full-time children, including those of the child care facility licensee who are under the age of seven (7) years, except that care may also be provided for up to three (3) additional part-time children for three (3) hours before school and three (3) hours after school, but only during periods when schools are in session, subject to the regulations and permission of the Washoe County Department of Social Services.
  - (2) Large-Family Daycare. Large-family daycare refers to daycare services provided for more than six (6) full-time children, including those of the child care facility licensee who are under the age of seven (7) years.

DRAFT: April 20, 2021

- (3) Child Daycare. Child daycare refers to services providing non-medical care to any number of children in need of personal services or supervision, on less than a twenty-four (24) hour basis, but excluding services provided in a private dwelling.
- (c) Community Center. Community center use type refers to recreational, social or multi-purpose uses within buildings with no fixed seats and occupancy limited to five hundred (500) or fewer. Typical uses include public or private, non-commercial clubs.
- (d) Community Garden. Community garden use type refers to an area of land managed and maintained by a group to grow and harvest food crops, non-food crops (such as native plants), or ornamental crops (such as flowers), for personal or group use, consumption, or donation. Commercial sale of any crops produced in the community garden is prohibited. A community garden may be established in any regulatory zone subject to the following conditions:
- (1) A signed affidavit shall be submitted to the division stating that the property owners, or the owners designated agent, agree to the proposed use. All liability considerations are the responsibility of the property owner and the users of the property.
- (2) A site plan shall be submitted to the division showing the areas to be cultivated, the location of any structures associated with the use, access points, how and where water will be obtained, and parking locations (if applicable).
- (3) Structures smaller than or equal to two-hundred (200) square feet may be established on-site to support operation and maintenance of the community garden, provided they are located at least five (5) feet from any property line, do not block any easements, and do not impede sight visibility from or onto public streets. All tools, equipment, chemicals, or fertilizers stored on site shall be within a locked structure.
- (4) Activities at the garden site shall be limited to daylight hours. The use of motorized equipment is limited to the hours of 8 a.m. to 5 p.m. No exterior lighting or illumination shall occur.
- (5) Once all outdoor crops have been harvested for the current growing season, the area utilized shall be cleaned of any dead vegetation or supporting materials within thirty (30) days of the final harvest or by November 15, whichever comes first. Tilling of the dead vegetation back into the soil is allowed and meets this requirement.
- (e) Convalescent Services. Convalescent services use type refers to provision of bed care and in-patient services for persons requiring regular medical attention, but excludes a facility providing surgical or emergency medical services and a facility providing care for alcohol or drug addiction.
- (f) Cultural and Library Services. Cultural and library services use type refers to non-profit, museum-like preservation and exhibition of objects of permanent interest in one or more of the arts and sciences, gallery exhibition of works of art or library collection of books, manuscripts, etc., for study and reading.
- (g) Education. Education use type refers to educational services provided by public, private or parochial institutions, but excludes uses classified under commercial education services. Typical uses include elementary, junior high, and senior high schools, and junior colleges. Curriculum must be approved by the State Department of Education. This use type does not refer to home schooling of children who live on-site.

DRAFT: April 20, 2021

- (1) Private School Facilities. Private School Facilities use type refers to educational services for the education of the children of the community that are funded primarily by means other than tax revenue.
  - (2) Public School Facilities. Public School Facilities use type refers to educational services for the education of the children of the community that are funded primarily with tax revenue.
- (h) Group Care Facility. Group care facility use type refers to an establishment that provides housing and living environment on a weekly or longer basis, for a group of persons not defined as a family or a group home. These facilities may provide life skill training, living assistance and supervised care service, but excludes medical treatment or uses classified under hospital services. This term includes specifically the following types of uses:
- (1) Child Care Institution;
  - (2) Facility for transitional living for released offenders;
  - (3) Group home use types which accommodate more persons that permitted as a group home.
- (i) Hospital Services. Hospital services use type refers to medical, psychiatric or surgical services for sick or injured persons primarily on an in-patient basis, including ancillary facilities for out-patient and emergency medical services, diagnostic services, training, research, administration and services to patients, employees or visitors.
- (j) Major Services and Utilities.
- (1) Utility Services. Utility services use type refers to the provision of electricity, water or other liquids, or gas, through wires, pipes or ditches through utility services involving major structures that have flexibility in location. Typical uses include natural gas transmission lines and substations, petroleum pipelines, and irrigation water ditches.
  - (2) Major Public Facilities. Major public facilities use type refers to public facilities that provide a significant service and have a substantial impact on the community. Typical uses are sanitary landfills, airports, and detention and correction facilities.
- (k) Nature Center. Nature center use type refers to an area set aside for the public viewing and display of indigenous or exotic wildlife and/or indigenous or exotic plant life on either a for-profit or non-profit basis in a structured setting. Typical uses include zoos, wildlife sanctuaries, arboretums and gardens.
- (l) Parks and Recreation. Parks and recreation use type refers to publicly owned parks or private not for profit recreation facilities and open space facilities within the recreation areas. These may be operated by a concessionaire. The following are park and recreation use types:
- (1) Active Recreation. Active recreation refers to public park recreational uses that may have a potential impact on the area or adjacent land uses. Uses include participant sports and developed family recreational areas. Typical uses include group picnicking, tennis courts, swimming pools, softball diamonds, group campgrounds, and community centers operated by a public entity.

DRAFT: April 20, 2021

- (2) Passive Recreation. Passive recreation refers to public park recreational uses that have no or a minimal impact on the area and adjacent land uses. Uses include hiking, nature study, wildlife refuge, fishing and viewing. No active uses, such as group picnicking, camping and sporting activities, are included.
- (m) Postal Services. Postal services use type refers to mailing services, excluding major processing, as provided by the United States Postal Service, including branch post offices and public and private facilities.
- (n) Public Parking Services. Public parking services use type refers to parking services involving building and lots which may be privately and/or publicly owned and operated and is assigned to meet a parking demand. Commercial parking is that which is not designated for any identified use.
- (o) Public Service Yard. Public service yard use type refers to the use of a property operated by a governmental agency for the purposes of storing equipment and materials and includes ancillary office and meeting space for public service projects. A public service yard is limited to operations involving public road construction, road maintenance, snow removal and operations supporting public parks construction and maintenance.
- (p) Religious Assembly. Religious assembly use type refers to religious services involving public assembly such as customarily occurs in synagogues, temples and churches.
- (q) Safety Services. Safety services use type refers to public safety and emergency services, including police and fire protection services, and emergency medical and ambulance services.

*[Amended by Ord. 875, provisions eff. 8/3/93; Ord. 895, provisions eff. 1/24/94; Ord. 1023, provisions eff. 7/1/98; Ord. 1088, provisions eff. 1/28/00; Ord. 1156, provisions eff. 3/22/02; Ord. 1368, provisions eff. 6/20/08; Ord. 1433, provisions eff. 3/5/10; Ord. 1485, provisions eff. 3/27/12; Ord. 1540, provisions eff. 9/5/14; Ord. 1623, provisions eff. 9/21/18.]*

**Section 110.304.25 Commercial Use Types.** Commercial use types include the distribution and sale or rental of goods, and the provision of services other than those classified as civic or industrial use types. All permanent commercial uses are required to operate from a commercial structure.

- (a) Administrative Offices. Administrative offices use type refers to offices or private firms or organizations which are primarily used for the provision of executive, management or administrative services. Typical uses include administrative offices and services including travel, secretarial services, telephone answering, photo-copying and reproduction, and business offices of public utilities, organizations and associations, or other use classifications when the service rendered is that customarily associated with administrative office services.
- (b) Adult Characterized Business. Adult characterized business use type refers to uses defined in Washoe County Code, Chapter 25.
- (c) Animal Sales and Services. Animal sales and services use type refers to establishments or places of business primarily engaged in animal-related sales and services. Animals kept as domestic pets or as accessory uses to a residential use are regulated by the accessory use provisions of Article 330, Domestic Pets and Livestock. The following are animal sales and services use types:

DRAFT: April 20, 2021

- (1) Commercial Kennels. Commercial kennels refers to kennel services for dogs, cats and similar animals. Typical uses include commercial animal breeding with four (4) or more animals (dogs), boarding kennels, pet motels, or dog training centers. Commercial kennels require a parcel size minimum of two-and-one-half (2.5) acres regardless of the regulatory zone within which it is located.
  - (2) Commercial Stables. Commercial stables refers to boarding or raising of three (3) or more horses, but excludes horses used primarily for agricultural operations which are classified under animal production. Typical uses include commercial stables, riding clubs and riding instruction facilities.
  - (3) Grooming and Pet Stores. Grooming and pet stores refers to grooming or selling of dogs, cats and similar small animals. Typical uses include dog bathing and clipping salons, pet grooming shops, or pet stores and shops.
  - (4) Pet Cemeteries. Pet cemeteries refers to services involving the preparation of dead animals for burial and the keeping of animal bodies on cemetery grounds as well as cremation of dead animals. Regardless of the regulatory zone in which it is located, a pet cemetery must be located on a parcel at least two-and-one-half (2.5) acres in size. Cremation of dead animals shall take place in an area designated only for the cremation of pets and which complies with any applicable federal or state statute or regulation or local ordinance.
  - (5) Veterinary Services, Agricultural. Veterinary services, agricultural refers to veterinary services specializing in the care and treatment of large animals. Veterinary services for small animals including pet clinics, dog and cat hospitals, or animal hospitals may be included to provide full veterinary services. Veterinary services, agriculture requires a parcel size minimum of two-and-one-half (2.5) acres regardless of the regulatory zone within which it is located. Typical uses include veterinary offices for livestock.
  - (6) Veterinary Services, Pets. Veterinary services, pets refers to veterinary services for small animals. Typical uses include pet clinics, dog and cat hospitals, or animal hospitals.
  - (7) Dog Training Services. Dog training services use type means the training of dogs with their owners or owners' designee, where both owner and dog participate in dog training classes.
- (d) Automotive and Equipment. Automotive and equipment use type refers to establishments or places of business primarily engaged in automotive-related or heavy equipment sales or services. The following are automotive and equipment use types:
- (1) Automotive Repair. Automotive repair refers to repair of automobiles and the sale, installation and servicing of automobile equipment and parts. Typical uses include muffler shops, automobile repair garages or automobile glass shops.
  - (2) Automotive Sales and Rentals. Automotive sales and rentals refers to on-site sales and/or rentals of automobiles, non-commercial trucks, motorcycles, motor homes and trailers together with incidental maintenance. Typical uses include automobile dealers, car rental agencies, or recreational vehicle sales and rental agencies.

DRAFT: April 20, 2021

- (3) Cleaning. Cleaning refers to washing and polishing of automobiles. Typical uses include automobile laundries or car washes.
- (4) Commercial Parking. Commercial parking refers to parking of operable motor vehicles on a temporary basis within a privately owned off-street parking area with or without a fee. Commercial parking is that which is not designated for any identified use. Typical uses include commercial parking lots or garages.
- (5) Equipment Repair and Sales. Equipment repair and sales refers to repair of motor vehicles such as aircraft, boats, recreational vehicles, trucks, etc.; the sale, installation and servicing of automobile equipment and parts; and body repair, painting and steam cleaning. Typical uses include truck transmission shops, body shops, storage of manufactured homes, motor freight maintenance groups or agricultural equipment sales.
- (6) Fabricated Housing Sales. Fabricated housing sales refers to the sales of new and used modular housing, manufactured homes and/or mobile homes; and ancillary minor repair of modular housing, manufactured homes and/or mobile homes sold from the same location as the new or used units. Typical uses include mobile homes sales lots and minor repairs of units sold on site that do not include changes in walls and do not include changes in undercarriage plumbing or support systems.
- (7) Storage of Operable Vehicles. Storage of operable vehicles refers to storage of operable vehicles, recreational vehicles and boat trailers. Typical uses include storage areas within personal storage facilities and storage yards for commercial vehicles.
- (8) Truck Stops. Truck stops refers to businesses engaged in the sale of fuel and lubricants primarily for trucks, routine repair and maintenance of trucks, and associated uses such as selling food and truck accessories.
- (e) Building Maintenance Services. Building maintenance services use type refers to establishments primarily engaged in the provision of maintenance and custodial services to firms rather than individuals. Typical uses include janitorial, landscape maintenance or window cleaning services.
- (f) Commercial Centers. Commercial centers use type refers to a group of unified commercial establishments built on a site which is planned, developed, owned and managed as an operating unit. The following are commercial center use types:
  - (1) Neighborhood Centers. Neighborhood centers refers to sales of convenience goods (foods, drugs and sundries) and personal services, those which meet the daily needs of an immediate neighborhood trade area. A neighborhood center typically includes convenience retail and services a population of 2,500 to 40,000 people, typically has a service area radius of one-half to one-and-one-half miles, and has a typical range of 15,000 to 50,000 square feet of gross leasable area.
  - (2) Community Centers. Community centers refers to shopping establishments containing some services of the neighborhood center plus other services providing a greater depth and range of merchandise than contained in the neighborhood center. A community center may be built around a department store or a variety store as the major tenant. A community center generally serves a trade area population of 40,000 to 50,000 people, typically has a service

DRAFT: April 20, 2021

area radius of one to three miles, and has a typical range of 50,000 to 150,000 square feet of gross leasable area.

- (3) Regional Centers. Regional centers refers to centers that provide shopping goods, general merchandise, apparel, furniture and home furnishings in full depth and variety. They usually are built around more than one department store. Typical design uses the pedestrian mall, either open or enclosed, as a connector between major anchor stores. A regional center serves as a major commercial center for the entire region and typically has more than 150,000 square feet of gross leasable area.
- (g) Commercial Educational Services. Commercial educational services use type refers to educational services provided by private institutions or individuals with the primary purpose of preparing students for jobs in trade or profession. Typical uses include business and vocational schools, music schools and hair styling schools.
- (h) Commercial Recreation. Commercial recreation use type refers to commercial establishments or places of business primarily engaged in the provision of sports, entertainment or recreation for participants or spectators. The following are commercial recreation use types:
  - (1) Commercial Campground Facilities/RV Park. Commercial campground facilities/RV park refers to areas and services for two (2) or more campsites, accommodating camping vehicles and tents, which are used by the general public as temporary living quarters for recreational purposes. Typical uses include recreational vehicle campgrounds.
  - (2) Destination Resorts. Destination resorts refers to commercial enterprises for recreation that can include lodging. Typical uses include ski resorts, dude ranches, and hunting and fishing lodges.
  - (3) Indoor Entertainment. Indoor entertainment refers to predominantly spectator uses conducted within an enclosed building. Typical uses include motion picture theaters, meeting halls and dance halls.
  - (4) Indoor Sports and Recreation. Indoor sports and recreation refers to predominantly participant sports conducted within an enclosed building. Typical uses include bowling alleys, billiard parlors, ice and roller skating rinks, indoor racquetball courts and athletic clubs.
  - (5) Limited Gaming Facilities. Limited gaming facilities refers to establishments which contains no more than fifteen (15) slot machines (and no other game or gaming device) where the operation of the slot machine is incidental to the primary business of the establishment.
  - (6) Marinas. Marinas refers to docking, storage, rental and minor repair of recreational and fishing boats. Typical uses include recreational boat marinas and boat rental establishments.
  - (7) Outdoor Entertainment. Outdoor entertainment refers to predominantly spectator-type uses conducted in open or partially enclosed or screened facilities. Typical uses include sports arenas, racing facilities and amusement parks.



DRAFT: April 20, 2021

- (8) Outdoor Sports and Recreation. Outdoor sports and recreation refers to predominantly participant sports conducted in open or partially enclosed or screened facilities. Typical uses include driving ranges, miniature golf courses, golf courses, swimming pools and tennis courts.
- (9) Outdoor Sports Club. Outdoor sports club refers to sports clubs using agricultural land or open space for hunting, shooting or fishing purposes. Typical uses include duck clubs, hunting clubs, skeet clubs and rifle ranges.
- (10) Unlimited Gaming Facilities. Unlimited gaming facilities refers to an establishment which contains fifteen (15) or more electronic gaming devices or operation of other gaming devices as authorized by the State of Nevada.
- (i) Communication Facilities. Communication facilities use type refers to establishments primarily engaged in the transmission and/or receiving of electromagnetic waves. Typical uses include television stations, radio stations, satellite dishes, antennas and wireless communication facilities. Refer to Article 324, Communication Facilities, for subcategories of communication facilities.
- (j) Construction Sales and Services. Construction sales and services use type refers to establishments or places of business primarily engaged in construction activities and incidental storage, as well as the retail or wholesale sale from the premises, of materials used in the construction of buildings or other structures. This use type does not include retail sales of paint, fixtures and hardware, or those uses classified as one of the automotive and equipment use types. This use type does not refer to actual construction sites. Typical uses include tool and equipment rental, or sales and building material stores.
- (k) Continuum of Care Facilities, Seniors. Continuum of care facilities for seniors use type refers to **commercial** establishments that provide ~~range~~ housing, activities and **twenty-four-hour skilled nursing or medical care** ~~health services~~ to allow for adults to age in place. ~~Residential density~~ **The number of continuum of care units** and parking standards shall be determined **through** ~~in~~ the special use permit process; ~~all~~ other development standards shall apply. Facilities may include independent living, assisted living, nursing care, and hospice care, ~~as well as~~ accessory housing for staff, and medical facilities and services for residents.
- (l) Convention and Meeting Facilities. Convention and meeting facilities use type refers to establishments which primarily provide convention and meeting facilities. Typical uses include convention facilities and wedding chapels.
- (m) Data Center. Data Center use type refers to establishments or places of business primarily engaged in the storage/housing of equipment, such as computers, servers, switches, routers, data storage devices, and related equipment for the purpose of storing, managing, processing, and exchanging of digital data and information.
- (n) Eating and Drinking Establishments. Eating and drinking establishments use type refers to establishments or places of business primarily engaged in the sale of prepared food and beverages for on-premises consumption, but excludes those uses classified under the liquor sales use type. The following are eating and drinking establishments use types:
- (1) Convenience. Convenience refers to establishments or places of business primarily engaged in the preparation and retail sale of food and beverages, have

DRAFT: April 20, 2021

a short customer turnover rate (typically less than one hour), and may include sales of alcoholic beverages. Typical uses include drive-in and fast-food restaurants, ice cream parlors, sandwich shops and delicatessens.

- (2) Full Service. Full service refers to establishments or places of business primarily engaged in the sale of prepared food and beverages on the premises, which generally have a customer turnover rate of one hour or longer, and which include sales of alcoholic beverages at the table or at a bar as an accessory or secondary service. Typical uses include full-service restaurants.
- (o) Financial Services. Financial services use type refers to establishments primarily engaged in the provision of financial and banking services. Typical uses include banks, savings and loan institutions, loan and lending activities, and check cashing facilities.
- (p) Funeral and Interment Services. Funeral and interment services use type refers to provision of services involving the care, preparation or disposition of human dead. The following are funeral and interment services use types:
  - (1) Cemeteries. Cemeteries refers to undertaking services and services involving the keeping of bodies provided on cemetery grounds. Typical uses include crematoriums, mausoleums and columbariums.
  - (2) Undertaking. Undertaking refers to services involving the preparation of the dead for burial and arranging and managing funerals. Typical uses include funeral homes or mortuaries.
- (q) Gasoline Sales and Service Stations. Gasoline sales and service stations use type refers to retail sales of petroleum products from the premises of the establishment and incidental sale of tires, batteries, replacement items, lubricating services and minor repair services. Typical uses include automobile service stations.
- (r) Helicopter Services. Helicopter services use type refers to areas used by helicopter or steep-gradient aircraft. The following are helicopter services use types:
  - (1) Heliport. Heliport refers to areas used by helicopters or by other steep-gradient aircraft, which includes passenger and cargo facilities, maintenance and overhaul, fueling service, storage space, tie-down space, hangers and other accessory buildings, and open space.
  - (2) Helistop. Helistop refers to areas on a roof or on the ground used by helicopters or steep-gradient aircraft for the purpose of picking up or discharging passengers or cargo, but not including fueling service, maintenance or overhaul.
- (s) Liquor Manufacturing. Liquor manufacturing refers to the brewing, distillation, making, and/or manufacture of intoxicating liquors on the premises of the establishment. The resulting liquor products may be sold at retail to the public for on-site consumption and/or for off-site consumption. The liquor products may also be sold to licensed importer and/or wholesaler liquor dealers, with or without sales to the public. Liquor manufacturing may be in conjunction with another commercial use type, such as a full service eating and drinking establishment. Typical uses include brew pubs, breweries, craft distilleries, and wine makers.

DRAFT: April 20, 2021

- (t) Liquor Sales. Liquor sales use type refers to retail sales of alcoholic beverages, as defined in Chapter 30 of County Code (Intoxicating Liquor and Gaming Licenses and Regulations), to the public. The following are liquor sales use types:
- (1) Off-Premises. Off-premises refers to the retail sale of alcoholic beverages to the public for off-site consumption, but excludes uses classified under the retail sales use type. Typical uses include stores that sell packaged liquor.
  - (2) On-Premises. On-premises refers to the retail sale of alcoholic beverages to the public for on-site consumption, but excludes uses classified under the eating and drinking establishments use type. Typical uses include bars, taverns, cabarets, and casino service bars.
- (u) Lodging Services. Lodging services use type refers to establishments primarily engaged in the provision of lodging on a less-than-weekly basis within incidental food, drink, and other sales and services intended for the convenience of guests, but excludes those classified under residential group home and commercial recreation. The following are lodging services use types:
- (1) Bed and Breakfast Inns. Bed and breakfast inns refers to single family dwellings with guest rooms (no cooking facilities in guest rooms) where, for compensation, meals and lodging are provided.
  - (2) Condominium Hotel. Condominium hotel refers to temporary residences for transient guests, primarily persons who have residence elsewhere, with access to each room through an interior hall and lobby or outside porch or landing, and when the hotel rooms are owned as separate real estate; and the remainder of the property including amenities, open space, etc. is either owned in common by the hotel room owners and managed by an association, or owned by a separate entity in which a fee for use of the amenities, open space, etc. may or may not be charged the hotel room owners.
  - (3) Hostels. Hostels refers to supervised transient facilities offering dormitory type lodging, usually with a minimum of facilities.
  - (4) Hotels and Motels. Hotels and motels refers to temporary residences for transient guests, primarily persons who have residence elsewhere, with access to each room through an interior hall and lobby or outside porch or landing.
  - (5) Vacation Time Shares. Vacation time shares refers to real properties that are subject to a time share program.
- (v) Marijuana Establishments. A marijuana establishment, as defined and authorized by NRS 453A and NRS 453D, refers to commercial establishments, facilities, or places of business primarily engaged in the cultivation, production, acquisition, testing, supply, sale or distribution of marijuana products and related supplies and services, either for medical or adult recreational use. All marijuana establishments must be licensed by the Department of Taxation ("Department"). A business may be licensed with the Department to act as more than one of the marijuana establishment use types listed below in subsections one (1) through five (5). The following are marijuana establishment use types:
- (1) Marijuana Cultivation Facility. A marijuana cultivation facility, as defined by NRS 453A and/or 453D, refers to a business licensed as either a medical marijuana cultivation facility or as a marijuana cultivation facility, or both, which is authorized to cultivate, process, and package marijuana, to have marijuana tested by a marijuana testing facility,

DRAFT: April 20, 2021

and to sell marijuana to retail marijuana stores, to marijuana product manufacturing facilities, and to other marijuana cultivation facilities, but not to consumers.

- (2) Marijuana Product Manufacturing Facility. A marijuana product manufacturing facility, as defined by NRS 453A and/or 453D, refers to a business licensed as a facility for the production of edible marijuana products or marijuana-infused products, and/or as a marijuana product manufacturing facility, which is authorized to purchase marijuana, manufacture, process, and package marijuana and marijuana products, and sell marijuana and marijuana products to other marijuana product manufacturing facilities and to retail marijuana stores, but not to consumers.
- (3) Marijuana Testing Facility. A marijuana testing facility, as defined by NRS 453A and/or 453D, refers to a business licensed as a medical marijuana independent testing laboratory and/or as a marijuana testing facility, which is authorized to test marijuana and marijuana products, including for potency and contaminants.
- (4) Retail Marijuana Store/Medical Dispensary. A retail marijuana store/medical dispensary, as defined by NRS 453A and/or 453D, refers to a business licensed as either a medical marijuana dispensary or as a retail marijuana store, or both, which is authorized to purchase marijuana from marijuana cultivation facilities, to purchase marijuana and marijuana products from marijuana product manufacturing facilities and retail marijuana stores, and to sell marijuana and marijuana products to consumers. In order to operate as a retail marijuana store / medical dispensary for adult recreational use, the business must retain State licensure as a medical marijuana dispensary to continue business operations in the unincorporated County.
- (5) Marijuana Distributor. A marijuana distributor, as defined by NRS 453D and WCC 25.708(2), refers to a business licensed to transport marijuana from a marijuana establishment to another marijuana establishment. A marijuana distributor license provides for the transport of both medical and recreational (adult use) marijuana, marijuana products and/or marijuana paraphernalia to marijuana establishments located within the unincorporated County.
  - (a) A retail marijuana store / medical dispensary is not required to obtain a marijuana distributor license to transport marijuana or marijuana products directly to consumers.
  - (b) Marijuana distributors will only transport marijuana, marijuana products and/or marijuana paraphernalia following the provisions of NRS Chapter 453D and NAC Chapter 453D.
  - (c) Wholesale intoxicating liquor dealers licensed pursuant to NRS Chapter 369 applying for a marijuana distributor license must possess a valid and current County Importer / Wholesaler intoxicating liquor license.
  - (d) A marijuana distributor business is not allowed as a home-based business.
- (w) Medical Services. Medical services use type refers to establishments primarily engaged in the provision of personal health services ranging from prevention, diagnosis and treatment, or rehabilitation services provided by physicians, dentists, nurses and other health personnel as well as the provision of medical testing and analysis services, but excludes those classified as any civic use type. Typical uses include medical offices, dental laboratories, health maintenance organizations, immediate care facilities or sports medicine facilities.

DRAFT: April 20, 2021

- (x) Nursery Sales. Nursery sales use type refers to the sales of plants, flowers and related nursery items. The following are nursery sales use types:
  - (1) Retail. Retail refers to retail sale of plants and flowers and related nursery items. Typical uses include retail nurseries and home garden stores.
  - (2) Wholesale. Wholesale refers to wholesaling of plants and flowers, with incidental retail sales. Typical uses include wholesale nurseries.
  
- (y) Personal Services. Personal services use type refers to establishments primarily engaged in the provision of informational, instructional, personal improvement and similar services of a non-professional nature, but excludes services classified as commercial recreation or lodging services. Typical uses include photography studios, driving schools or weight loss centers.
  
- (z) Personal Storage. Personal storage use type refers to storage services primarily for personal effects and household goods within an enclosed storage area having individual access, but excludes workshops, hobby shops, manufacturing or commercial activity. Typical uses include mini-warehouses.
  
- (aa) Professional Services. Professional services use type refers to establishments which provide professional services to individuals or businesses, but excludes offices servicing walk-in customers which are classified under the administrative offices use type. Typical uses include law offices, real estate offices, insurance offices and architectural firms.
  
- (bb) Recycle Center. Recycle center use type refers to facilities for the collection, as a commercial enterprise, of household recyclables such as newspapers, bottles and cans. Recycle centers do not include recycle facilities existing as a part of a refuse pickup service or recycle bins used for donations to non-profit organizations. The following are recycle center use types:
  - (1) Full Service Recycle Center. Full service recycle center refers to large, fully attended recycle centers accepting paper, plastic and glass household recyclables and may include processing or sorting of the recyclables.
  - (2) Remote Collection Facility. Remote collection facility refers to a center for the acceptance, by redemption or purchase, of recyclable materials from the public. Such a facility does not process the recyclables on site. Typical uses include reverse vending machines.
  - (3) Residential Hazardous Substance Recycle Center. Residential hazardous substance recycle center refers to specialized recycling centers that receive household hazardous substances such as household paint, household cleaners and automobile engine oil.
  
- (cc) Repair Services, Consumer. Repair services, consumer use type refers to establishments primarily engaged in the provision of repair services to individuals and households rather than firms, but excludes automotive repair. Typical uses include appliance repair shops, apparel repair firms or instrument repair firms.
  
- (dd) Retail Sales. Retail sales use type refers to retail sales of commonly used goods and merchandise, either free-standing or within a commercial center, but excludes those uses classified under other use types. The following are retail sales use types:

DRAFT: April 20, 2021

- (1) Convenience. Convenience refers to establishments which provide a limited number of frequently or recurrently needed personal items or services for residents of an immediate neighborhood. Typical uses include convenience stores, small grocery stores, barber shops, beauty parlors, dry cleaners and self-service laundromats.
  - (2) Specialty Stores. Specialty stores refers to establishments which provide a variety of retail or personal services needs for residents in the larger community area. Typical uses include supermarkets, super drugs stores, clothing boutiques, antiques, bookstores, furniture stores and auto parts.
  - (3) Comparison Shopping Centers. Comparison shopping centers refers to retail establishments that provide a wide variety of retail and personal services that cater to the regional needs. Typical uses include full-line department stores and warehouse-styled retail outlets.
- (ee) Secondhand Sales. Secondhand sales use type refers to establishments primarily engaged in the sale of goods and merchandise which are not being sold for the first time, but excludes those classified as animal sales and services and automotive and equipment. Typical uses include secondhand stores and thrift shops.
- (ff) Transportation Services. Transportation services use type refers to establishments which provide private transportation of persons and goods. Typical uses include taxi services and commercial postal services.
- (gg) Winery. The Winery use type refers to a facility comprising the building(s) or space used to make wine as an alcoholic beverage obtained by the fermentation of the natural content of fruits or other agricultural products containing sugar. A winery includes crushing of fruit, fermenting, bottling, blending, bulk and bottle storage, aging, shipping and receiving of wine making materials, laboratory equipment, associated maintenance equipment, and administrative office functions related to the operation of the winery. A winery may or may not have a vineyard associated with it and may include a public tasting room and the sale of merchandise related directly to the winery. A winery may only sell at retail by the bottle or serve by the glass, on its premises, wine produced, blended, or aged on site by the winery subject to any limitations set forth in NRS 597.240.

A winery may be established as a stand-alone principal use type or in combination with residential or other authorized use types. The growing of grapes for use in a winery use type or in wine making is classified as Crop Production, a separate Agricultural Use Type. Wine making in the urban, commercial or industrial regulatory zones, or in conjunction with the manufacture of other types of intoxicating liquor, is classified as Liquor Manufacturing, a separate Commercial Use Type. Any allowed winery use type requires the issuance of the appropriate Washoe County business and liquor licenses pursuant to Chapters 25 and 30 of this Code. The business license application process for an allowed winery shall include the noticing of all adjacent property owners within 500 feet of the subject parcel, homeowners associations or Architectural Control Committees that are registered with the Building and Safety Division which have an interest in the subject parcel, and any properties that share a privately maintained access road to the subject parcel. Review and approval of a business license application to establish a winery shall include, at a minimum, review by the Washoe County Health District, the fire department of jurisdiction, and any General Improvement District with jurisdiction.

Winery with Special Events. Except in the Suburban Residential regulatory zone, a winery approved through an Administrative Permit may include, as part of the

DRAFT: April 20, 2021

Administrative Permit application, provisions for conducting recurring special events as ancillary uses to the principal Winery use. "Special event" means an assembly of less than 100 persons on any one day of the event. Such recurring special events may include, but are not limited to, weddings, tours, promotional events, entertainment (indoor or outdoor), wine and food pairings, and craft fairs. Recurring special events proposed in conjunction with a Winery use must be included in the Administrative Permit application authorizing the Winery use. New or amended proposals for special events shall require either an amendment to the existing Administrative Permit (i.e. Amendment of Conditions) or a separate application for a Temporary Special Event Business License pursuant to Chapter 25 of this Code through the Business License division.

*[Amended by Ord. 875, provisions eff. 8/3/93; Ord. 906, provisions eff. 7/27/94; Ord. 1004, provisions eff. 1/30/98; Ord. 1023, provisions eff. 7/1/98; Ord. 1097, provisions eff. 7/28/00; Ord. 1179, provisions eff. 12/6/02; Ord. 1238, provisions eff. 6/4/04; Ord. 1288, provisions eff. 3/24/06; Ord. 1347, provisions eff. 11/2/07; Ord. 1433, provisions eff. 3/5/10; Ord. 1481, provisions eff. 2/3/12; Ord. 1497, provisions eff. 10/5/12; Ord. 1527, provisions eff. 4/18/14; Ord. 1712, provisions eff. 6/27/14, Ord 1586, provisions eff. 10/7/16; Ord. 1616, provisions eff 4/20/18.]*

**Section 110.304.30 Industrial Use Types.** Industrial use types include the on-site production of goods by methods not agricultural in nature, including certain accessory uses.

- (a) **Aggregate Facilities.** Aggregate facilities use type refers to the extraction and processing of sand, gravel and rock from the ground. Typical uses include sand and gravel pit and ancillary uses such as concrete and asphalt batch plants.
- (b) **Caretaker's Residence.** Caretaker's residence refers to a permanent on-site residential unit for an industrial use. The purpose of this unit is to provide security for the industrial use and the site on which it is located. It shall be occupied only while a valid business license for an industrial use is in effect and only by an employee of the company which operates the industrial use and at no time shall it be rented to any party other than someone directly employed by the industrial use operator. The caretaker's residence and industrial use are permitted to share access to the site. A caretaker's residence should provide a permanent kitchen, toilet facilities, sleeping, eating, and living facilities, all separate from the industrial use, and must be permitted by all applicable state and local agencies. Two (2) standard parking spaces shall be reserved for use by the residents of the caretaker's residence. The floor area of the unit shall not exceed two thousand (2,000) square feet. A minimum lot size of one (1) acre is required. Any solid fuel burning device is prohibited. Upon cessation of the industrial use, the use of the caretaker's residence must cease. The following are caretaker's residence use types:
  - (1) **Attached.** Caretaker's residence attached must be attached to or located within the main structure for the industrial use. Only one (1) caretaker's residence is permitted per structure, regardless of the number of businesses located in that structure. Only one (1) caretaker's residence is permitted per employer and per parcel, regardless of the number of businesses located on that parcel.
  - (2) **Detached.** Caretaker's residence detached must be sited within the developed industrial area, and must be visually integrated with the industrial use. Only one (1) caretaker's residence is permitted per employer and per parcel, regardless of the number of businesses located on that parcel.
- (c) **Custom Manufacturing.** Custom manufacturing use type refers to the on-site production of goods by hand manufacturing or artistic endeavor which involves only the use of hand tools or domestic mechanical equipment and the incidental sale of these goods directly to

DRAFT: April 20, 2021

consumers. Typical uses include ceramic studios, custom cabinet making, candle making shops and custom jewelry manufacturers.

- (d) Energy Production. Energy production use type refers to the commercial production of electricity.
  - (1) Non-Renewable Energy Production. Non-Renewable energy production use type refers to the commercial production of energy utilizing any non-renewable source of energy.
  - (2) Renewable Energy Production. Renewable energy production use type refers to the commercial production of energy utilizing solar, geothermal, wind, hydroelectric, and biomass sources of energy.
- (e) General Industrial. General industrial use type refers to the on-site production of goods other than those that are agricultural or extractive in nature, but excludes those uses classified under custom manufacturing and high technology use types. The following are general industrial use types:
  - (1) Limited. Limited refers to production processes which use already manufactured components to assemble, print or package a product such as cloth, paper, plastic, leather, wood, glass or stones, but not including such operations as paper, saw or planing mills, steel, iron or other metalworks, rolling mills, or any manufacturing uses involving primary production of commodities from raw materials. By the nature of the activity performed and/or the scale of operation, these uses can be located near residential or commercial uses with minimal impact to adjacent uses. Typical uses include apparel manufacturing, paper products finishing, furniture production and production of fabricated metal products.
  - (2) Intermediate. Intermediate refers to production processes which can be located near residential or commercial uses only if special control measures are taken to mitigate the land use conflicts which can result from such operations. Typical uses include production of food substances, household appliance manufacturing, prefabrication of manufactured buildings, and major repair/reconstruction and storage of fabricated housing.
  - (3) Heavy. Heavy refers to production processes which should not be located near residential or commercial uses due to the intensive nature of the industrial activity and/or the scale of operation. These uses may be located near other manufacturing uses exhibiting similar characteristics although special control measures may be required for some extremely intensive operations to ensure compatibility with similar industrial uses. Typical uses include motor vehicle assembly, sawmills, textile dyeing, leather tanning, hazardous chemical production, petroleum refining, primary metal processing, storage of manufactured homes and production of explosives or propellants.
- (f) High Technology Industry. High technology industry use type refers to the research, development and controlled production of high-technology electronic, industrial or scientific products. Typical uses include biotechnology firms and computer component manufacturers.
- (g) Inoperable Vehicle Storage. Inoperable vehicle storage use type refers to premises devoted to the parking and/or storage of inoperable vehicles. Typical uses include



DRAFT: April 20, 2021

buildings, storage yards, and auto wrecking facilities devoted to the parking and/or storage of inoperable vehicles.

- (h) Laundry Services. Laundry services use type refers to establishments primarily engaged in the provision of large scale laundering, dry cleaning or dyeing services other than those classified as personal services. Typical uses include laundry agencies, diaper services or linen supply services.
- (i) Mining Operations. Mining operations use type refers to the extraction and processing of rocks and minerals from the ground, but excludes uses classified under the petroleum gas extraction use type. Typical uses include the mining of precious metals and industrial minerals.
- (j) Petroleum Gas Extraction. Petroleum gas extraction use type refers to the extraction of oil and natural gas from the ground and the temporary storage of oil at the well site. Typical uses include oil and gas wells.
- (k) Salvage Yards. Salvage yards use type refers to the collection, storage or sale of rags, scrap metal or discarded material; or the collection, dismantling, storage, salvaging or demolition of vehicles, machinery or other materials. Typical uses include junkyards and auto wrecking facilities.
- (l) Wholesaling, Storage and Distribution. Wholesaling, storage and distribution use type refers to establishments or places of business primarily engaged in wholesaling, storage and bulk sale distribution including, but not limited to, open-air handling of material and equipment other than live animals and plants. The following are wholesaling, storage and distribution use types:
  - (1) Light. Light refers to wholesaling, storage and warehousing services within enclosed structures. Typical uses include wholesale distributors, storage warehouses, or moving and storage firms.
  - (2) Heavy. Heavy refers to distribution and handling of materials and equipment. Typical uses include monument sales, stone yards or open storage yards.

*[Amended by Ord. 906, provisions eff. 7/27/94; Ord. 1039, provisions eff. 11/1/98; Ord. 1433, provisions eff. 3/5/10; Ord. 1443, provisions eff. 7/26/10; Ord. 1494, provisions eff. 8/9/12; Ord. 1504, provisions eff. 3/8/13.]*

**Section 110.304.35 Agricultural Use Types.** Agricultural use types include the on-site production of plant and animal products by agricultural methods.

- (a) Agricultural Processing. Agricultural processing use type refers to the processing of foods and beverages from agricultural commodities, but excludes animal slaughtering. Typical uses include canning of fruits and vegetables, processing of dairy products, and the production of prepared meats from purchased carcasses.
- (b) Agricultural Sales. Agricultural sales use type refers to the sale of agricultural supplies such as feed, grain and fertilizers. Typical uses include feed and grain stores.
- (c) Animal Production. Animal production use type refers to raising of animals or production of animal products, such as eggs or dairy products, on an agricultural or commercial basis, but excluding commercial slaughtering. Typical uses include grazing, ranching, dairy farming, poultry farming and aquaculture.

DRAFT: April 20, 2021

- (d) Animal Slaughtering, Agricultural. Agricultural animal slaughtering use type refers to the slaughtering of animals to be used in making meat products on the same premises.
- (e) Animal Slaughtering, Commercial. Commercial animal slaughtering use type refers to the slaughtering of animals to be sold to others or to be used in making meat products on the same premises. Typical uses include slaughter houses.
- (f) Animal Slaughtering, Mobile. Mobile animal slaughtering use type refers to the slaughtering of animals to be sold to others or to be used in making meat products, within a fully-enclosed mobile slaughtering facility approved by the US Food and Drug Administration, for a duration of not more than fourteen (14) days off-site on any one parcel within a calendar year. Typical uses include mobile commercial slaughtering units.
- (g) Crop Production. Crop production use type refers to raising and harvesting of tree crops, row crops or field crops on an agricultural or commercial basis, including packing and processing.
- (h) Forest Products. Forest products use type refers to commercial timber harvesting uses and facilities. Typical uses include production of forest products, sawmills and lumber camps.
- (i) Game Farms. Game farms use type refers to boarding or breeding of exotic animals generally considered as wild or not normally domesticated.
- (j) Produce Sales. Produce sales use type refers to the on-site sale of farm produce and/or shell eggs from property owned, rented or leased by the farmers who grow or produce all or part of the farm produce or shell eggs offered for sale. Typical uses include produce stands, and fruit and vegetable stands.
  - (1) Only products grown or produced on-site may be sold. A minimum lot size of forty (40) acres is required to establish produce sales as an allowed use in the General Rural (GR) regulatory zone. A valid business license pursuant to Chapter 25 of County Code must be obtained prior to any sales.
  - (2) Temporary produce sales, for a maximum duration of thirty (30) days in any one (1) calendar year, are allowed in all regulatory zones; however, a valid business license pursuant to Chapter 25 of County Code must be obtained prior to any sales.

*[Amended by Ord. 1023, provisions eff. 7/1/98; Ord. 1433, provisions eff. 3/5/10; Ord. 1540, provisions effective 9/5/14.]*

SECTION 2. Article 902 of the Development Code, Chapter 110 of the Washoe County Code, is hereby amended as follows:

## **Article 902**

# **DEFINITIONS**

---

**Sections:**

DRAFT: April 20, 2021

110.902.00	Purpose
110.902.05	Applicability
110.902.10	Rules of Interpretation
110.902.15	General Definitions

**Section 110.902.00 Purpose.** The purpose of this article, Article 902, Definitions, is to promote consistency and precision in the interpretation of the Development Code.

**Section 110.902.05 Applicability.** The meaning and construction of words and phrases as set forth therein shall apply throughout the Development Code, except where the context of such words and phrases clearly indicates a different meaning or construction. Definitions contained in the adopted version of the International Building Code shall be applicable except when in conflict with definitions contained in the Development Code, in which case the Development Code definitions shall control. Additional definitions which apply only within one article or section may be contained within that article or section.

*[Amended by Ord. 1356, provisions eff. 12/21/07.]*

**Section 110.902.10 Rules of Interpretation.** The following general rules of interpretation shall apply to the textual provisions of the Development Code:

- (a) **Article and Section References.** "Article" means an article of the ordinance codified in this Development Code unless some other ordinance is specifically mentioned. "Section" means a section of the ordinance codified in this Development Code unless some other ordinance is specifically mentioned. "Subsection" means a subsection of the section in which the term occurs unless some other section is specifically mentioned.
- (b) **Definitions.** The Director of Community Development shall have the authority to determine the applicable definition source (e.g. Webster's Collegiate Dictionary, International Building Code, International Fire Code, etc.) in the event of a conflict.
- (c) **Headings.** Section and subsection headings contained herein shall not be deemed to govern, limit, modify or in any manner affect the scope, meaning or intent of any provision of this Development Code.
- (d) **Illustrations.** In case of any differences of meaning or implication between the text of any section or article and any illustration, the text shall control.
- (e) **Gender.** The masculine gender includes the feminine and neuter.
- (f) **Number.** The singular number includes the plural, and the plural the singular.
- (g) **Tense.** The present tense includes the past and future tenses, and the future tense includes the present tense.
- (h) **Oath and Affirmation.** "Oath" includes "affirmation."
- (i) **Shall and May.** "Shall" is mandatory and "may" is permissive.
- (j) **Signature or Subscription and Mark.** "Signature" or "subscription" includes "mark" when the signer or subscriber cannot write, such signer's or subscriber's name being written near the mark by a witness who writes his own name near the signer's or subscriber's name; but a signature or subscription by mark can be acknowledged or can serve as a

**DRAFT: April 20, 2021**

signature or subscription to a sworn statement only when two (2) witnesses so sign their own names thereto.

- (k) Statutory References. Whenever reference is made to any portion of the ordinance codified in this Development Code, or of any other ordinance of this County or of any law of this state, the reference applies to all amendments and additions now or hereafter made.

*[Amended by Ord. 873, provisions eff. 6/7/93; Ord. 1356, provisions eff. 12/21/07.]*

**Section 110.902.15 General Definitions.** Unless otherwise specified, the following definitions shall be applicable throughout the Development Code:

A-Weighted Sound Level. "A-weighted sound level" means the sound pressure level in decibels as measured on a sound level meter using the A-weighting filter network. Sounds measured with an A-weighted filter are abbreviated dba or db(a).

Accessory Structure. "Accessory structure" means a subordinate structure, the use of which is incidental to that of the main structure or potential main structure, or main dwelling.

Accessway. "Accessway" means vehicular ingress and egress to a property or use.

Adequate Public Facilities Management. "Adequate public facilities management" means a method for ensuring that the infrastructure necessary to support a development project will be available concurrently with the impacts of that development, without causing the level of service provided by said infrastructure to fall below adopted standards.

Affordable Housing. "Affordable housing" means housing which is affordable to low-income households (not exceeding eighty (80) percent of the County median income) or moderate-income households (not exceeding one-hundred twenty (120) percent of County median income).

Agricultural Building. "Agricultural building" is a structure designed and constructed to store farm implements and equipment or hay, grain, poultry, livestock, fruit and other agricultural products. Cold storage warehouses are not agricultural buildings. An agricultural building shall not be used for human habitation; processing, treating, packaging agricultural products; or as a place used by the public. The term shall not include dwellings, but does include greenhouses.

Approved Access. "Approved access" means a way or means of approach to a parcel from either an abutting public road or from a private road, street or right-of-way approved by the County.

Area of Shallow Flooding. "Area of shallow flooding" means a designated AO or AH Zone on the Flood Insurance Rate Maps. The base flood depths range from 1 to 3 feet, a clearly defined channel does not exist, the path of flooding is unpredictable and indeterminate, and velocity flow may be evident.

Area Plan. "Area plan" means plans adopted by Washoe County which cover specific subareas of the unincorporated County. These plans provide basic information on the natural features, resources and physical constraints that affect the development of the planning area. They also specify detailed land use designations which are then used to review specific development proposals and to plan services and facilities.

Arterial. "Arterial" means a main highway that is a through street.

Attached Accessory Dwelling Unit. "Attached accessory dwelling unit" means a portion of or an addition to a single family main dwelling that has been designed or configured to be used as a separate and

**DRAFT: April 20, 2021**

independent dwelling unit. An attached accessory dwelling unit includes, at a minimum, permanent kitchen and bathroom (i.e. a toilet) facilities, but may also include living, sleeping, and eating facilities, all separated from the main unit by walls or ceiling and accessed through a lockable exterior or interior door. The attached accessory dwelling unit shall not exceed forty (40) percent of the total square footage of the main dwelling unit or one thousand (1,000) square feet, whichever is smaller. The square footage of garages, crawl spaces, cellars, attics, or basements not designed for human occupancy shall not be included when calculating the total square footage of the main dwelling unit, unless such areas have been legally converted into habitable space. An attached accessory dwelling may be created by converting part of, or adding on to, an existing single family main dwelling. To be considered attached, the accessory dwelling unit must abut (i.e. be on the opposite side of a wall or ceiling) the habitable space of the main dwelling, or the ceiling of a garage attached to the main dwelling. Incidental and accessory features such as trellises, decks, patios, breezeways, or tool sheds will not be considered as establishing an attached structure/dwelling. Attached accessory dwellings are often referred to as guest rooms, guest apartments and "granny flats."

Base Flood Calculation. "Base flood calculation" means a flood having a one (1) percent chance of being equaled or exceeded in any given year. See "Flood, One Hundred (100) Year."

Basement. "Basement" means the portion of a building between floor and ceiling, which is partly below and partly above grade, but so located that the vertical distance from grade to the floor below is less than the vertical distance from grade to ceiling.

Bed and Breakfast Establishment. "Bed and breakfast establishment" means a single-family dwelling containing not more than five (5) guest rooms (no cooking facilities in guest rooms) where, for compensation, meals and lodging are provided.

Berm. "Berm" means a mound or embankment of earth.

Billboard. "Billboard" means an outdoor advertisement making a material or services known, such advertisement being remote from the point of sale of such material or service.

Board. "Board" refers to the Board of County Commissioners of Washoe County.

Boardinghouse. "Boardinghouse" means a building or portion thereof (not a motel) where, for compensation, meals and lodging are provided for more than three (3) guests.

Breezeway. A "breezeway" means a covered walkway, passageway, or corridor that has at least one (1) side entirely or partially open (except for necessary supporting columns), is not intended nor designed as habitable space, and which may or may not be connected to a structure.

Building. "Building" means any structure having a permanent foundation, a roof supported by columns or walls and used for the enclosure of persons, animals or chattels, but not including a trailer (mobile home) or tent.

Building Envelope. "Building envelope" means the area to be occupied by any structure and associated development.

Building Height. "Building height" is the vertical distance above a reference datum measured to the highest point of the coping of a flat roof or to the deck line of a mansard roof or to the average height of the highest gable of a pitched or hipped roof. As illustrated in Figure 110.902.15.BH1, the reference datum shall be selected by either of the following, whichever yields a greater height of building:

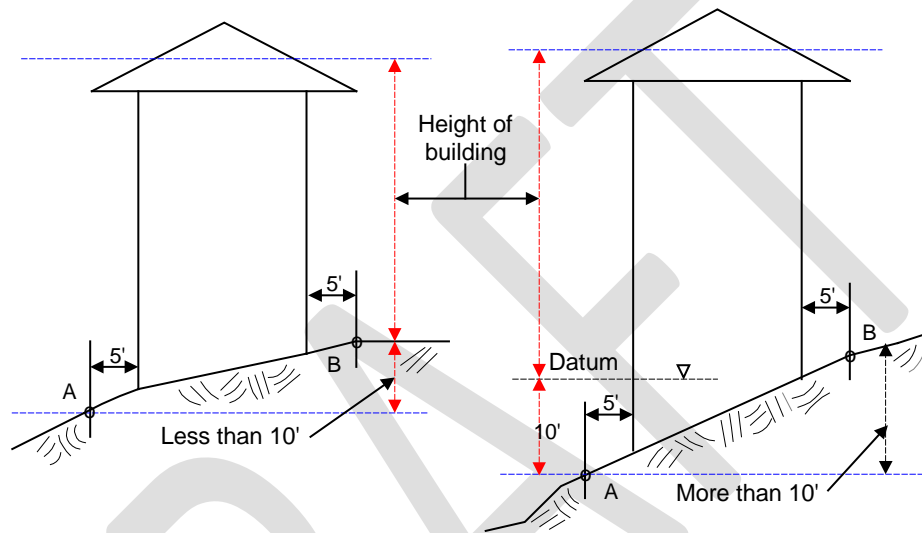
DRAFT: April 20, 2021

- (a) The elevation of the highest adjoining sidewalk or ground surface within a five (5) foot horizontal distance of the exterior wall of the building when such sidewalk or ground surface is not more than ten (10) feet above lowest grade.
- (b) An elevation ten (10) feet higher than the lowest grade when the sidewalk or ground surface described in Item 1 above is more than ten (10) feet above lowest grade.

The height of a stepped or terraced building is the maximum height of any segment of the building.

Figure 110.902.15.BH1

**DETERMINATION OF BUILDING HEIGHT IN FEET**



Source: International Building Code Interpretation Manual.

**Building Intensity.** "Building intensity" refers to the bulk and concentration of physical development of uses permitted in a district. Lot coverage and height are examples of measures of building intensity.

**Cargo Container.** "Cargo Container" means an Intermodal Container, Sea-land Container, ISO Container, or Conex Box that is not designed for independent or "In-tow Trailer" highway use, and that was originally designed and constructed as a standardized, reusable storage and shipping vessel to be loaded on a truck, rail car or ship.

**Cellar.** "Cellar" means the portion of a building between floor and ceiling which is wholly or partially below grade and so located that vertical distance from grade to the floor below is equal to or greater than the vertical distance from grade to ceiling.

**Certificated Water Rights.** "Certificated water rights" means the right to put surface water or groundwater to beneficial use that is identified by a record document issued by the Nevada State Engineer after satisfactory proof of "perfection of application" for a permitted water right has been filed in accordance with NRS Chapter 533.

**Child Care Institution.** "Child care institution" means a facility which provides care and shelter during the day and night and provides developmental guidance to sixteen (16) or more children who do not routinely return to the homes of their parents or guardians. Such an institution may also provide, without limitation:

**DRAFT: April 20, 2021**

- (a) Education to the children according to a curriculum approved by the Department of Education;
- (b) Services to children who have been diagnosed as severely emotionally disturbed as defined in NRS 433B.080, including, without limitation, services relating to mental health and education; or
- (c) Emergency shelter to children who have been placed in protective custody pursuant to Chapter 432B of NRS.

Climatic Adaptive Planting Material. "Climatic adaptive planting material" means vegetation which is adapted to the climate or microclimate of the planting site and can flourish given the soil and water environment surrounding its roots. Microclimates, large bodies of water, soil drainage, soil pH, adequate moisture, the presence of soil salts, and both summer and winter wind affect a plant's ability to grow and survive.

Cluster or Clustered Development. See "Common Open Space Development."

Collector. "Collector" means the highest order of residential streets.

Commercial Coach. "Commercial coach" means structure without motive power which is designed and equipped for human occupancy for industrial, professional or commercial purposes.

Commercial Vehicle. "Commercial vehicle" means any vehicle designed, maintained or used for business, commercial, construction or industrial purposes that infringes on the residential character of residential districts; or for the transportation of property in furtherance of commercial enterprise; or having more than two (2) axles on the road; or, any vehicle in excess of eight thousand (8,000) pounds unladen weight. Commercial vehicles includes, but is not limited to: a cement truck, commercial tree-trimming equipment, construction equipment, dump truck, garbage truck, panel truck, semi-tractor, semi-trailer, stake bed truck, step delivery van, tank truck, tar truck, and other vehicles customarily used for commercial purposes.

Commission. "Commission" means the Washoe County Planning Commission.

Common Interest Community. "Common interest community" means real estate in which a person, by virtue of ownership of a unit, is obligated to pay for real estate other than that unit. "Ownership of a unit" does not include holding a leasehold interest of less than twenty (20) years in a unit, including options to renew.

Common Open Space Development. "Common open space development" means a technique whereby minimum lot sizes may be reduced below the regulatory zone requirements for residential and commercial use types, if compensating amounts of open space are provided within the same development (also called "cluster development"). This type of development allows for structures to be grouped on smaller lots, provided the total density for the development is not exceeded.

Company Town. "Company town" means employee housing and supporting commercial, office, recreational, professional, administrative and other ancillary uses associated with the functioning of an isolated industrial, mining, energy production, utilities, resorts or agricultural based use. This development may occur on a single parcel or multiple parcels.

Consistency. "Consistency" means free from variation or contradiction.

Constraints. "Constraints" mean limitations or actions which cannot be taken or which must be taken.

**DRAFT: April 20, 2021**

Construct. "Construct" includes "erect," "reconstruct," "alter," "move in" and "move upon."

Contiguous Parcel of Land. "Contiguous parcel of land" means a parcel of land either abutting directly on the boundary or separated by a street, alley, public right-of-way, creek, river or the right-of-way of a railroad or other public service corporation of another parcel of land.

**Continuum of Care Unit – A unit that is within a continuum of care facility that includes living and sleeping facilities as defined by the Development Code, the International Building Code, and/or the National Manufactured Home and Safety Standards Act.**

Corner Lot. See "Lot, Corner."

Cost. "Cost" means the price paid or what is given up in order to acquire, produce, accomplish or maintain anything.

County. "County" refers to the unincorporated area of Washoe County, Nevada.

County Standards. "County standards" means improvement standards set forth in this Development Code or adopted by the Board of County Commissioners.

Cross-Section. "Cross-section" is a drawing or photograph showing a cutting through something, especially at right angles to its axis. A cross section of a roadway usually indicates the width of the street, the number of lanes, and the width of any median, parkways, sidewalks and bicycle lanes.

Cumulative Impact. "Cumulative impact" means an effect which is a result of several related projects. Each increment from each project may not be noticeable but cumulative impacts may be noticeable when all increments are considered.

Cut. "Cut" means shaping of the land surface by removing soil, rock or other materials.

Decibel. "Decibel" means a unit for describing the amplitude of sound, equal to twenty (20) times the logarithm to the base ten (10) of the ratio of the pressure of the sound measured to the reference pressure, which is twenty (20) micropascals (20 micronewtons per square meter).

Density or Residential Density. "Density" or "residential density" means the number of dwelling units per gross acre for residential uses **as defined in Article 304, Use Classification System.**

Density Bonus. "Density bonus" means an increase in residential density over and above the density specified in the Development Code. A "density bonus unit" is one of the additional housing units built as a result of granting a density bonus.

Destination Resort. "Destination resort" is a self-contained development that provides for visitor-oriented accommodations and developed recreational facilities in a setting with high natural amenities. Visitor-oriented accommodations are overnight lodging and facilities designed for visitors, not permanent residents, and overnight lodging excludes RV and mobile home parks. Visitor accommodations must include meeting rooms and restaurants.

Detached Accessory Dwelling Unit. "Detached accessory dwelling unit" means a dwelling unit on the same lot as the main dwelling unit, but which is physically separated from the main dwelling unit. A detached accessory dwelling unit is designed and configured to provide independent living facilities for one or more persons, and includes, at a minimum, permanent kitchen and bathroom (i.e. toilet) facilities, but which may also include living, sleeping, and eating facilities. Except in the Medium Density Suburban (MDS) Regulatory Zone, a detached accessory dwelling unit shall not exceed fifteen hundred (1,500) square feet or fifty (50) percent of the total square footage of the main unit, whichever is smaller. In the



**DRAFT: April 20, 2021**

Medium Density Suburban (MDS) Regulatory Zone, the detached accessory dwelling unit shall not exceed eight hundred (800) square feet or fifty (50) percent of the total square footage of the main dwelling unit, whichever is smaller. The square footage of garages, crawl spaces, cellars, attics, or basements not designed for human occupancy shall not be included when calculating the total square footage of the main dwelling unit, unless such areas have been legally converted into habitable space. Detached accessory dwelling unit are also commonly referred to as guest houses, second units, detached "granny flats" and caretaker's quarters.

Detached Accessory Structure. Except as provided for under Section 110.306.15, "detached accessory structure" means a building or structure on the same lot as the main residential structure and devoted to a use incidental to that main residential structure. A detached accessory structure is not designed, configured, or used for human habitation. The detached accessory structure may be connected to water and wastewater systems subject to the recordation of a deed restriction prohibiting the use of the structure as a dwelling unit. Installation of both a kitchen and a toilet in a detached accessory structure shall render the structure as a dwelling unit and subject to the accessory dwelling unit provisions contained in Article 306, Accessory Uses and Structures. Typical uses include storage buildings, sheds, barns, and detached garages.

Development. "Development" means any man-made change to improved or unimproved real estate including the construction of buildings or other structures, mining, dredging, filling, grading, paving, excavation, drilling operations or storage of equipment or materials.

Development Agreement. "Development agreement" means an agreement entered into by Washoe County and any person having a legal or equitable interest in land concerning the development of that land, pursuant to NRS Chapter 278.

Development Code. "Development Code" refers to Chapter 110 of the Washoe County Code which incorporates all County development-related ordinances and standards to ensure conformity with the Master Plan.

Division into Large Parcels. "Division into large parcels" means division of land if each proposed lot is at least forty (40) acres in area including roads and easements or at least one-sixteenth (1/16) of a section as described by a government land office.

Dog Training Center. "Dog training center" means a facility where dogs are boarded and trained for a long-term period of time.

Dog Training Services. "Dog training services" means the training of dogs with their owners or owners' designee, where both owner and dog participate in dog training.

Domestic Water. "Domestic water" means water supplied to individual dwellings and other land uses which is suitable for drinking.

Dormitory/Bunkhouse. "Dormitory/bunkhouse" means a building or a portion of a building where, for compensation or a benefit of employment, meals and lodging are provided.

Drainage, Natural. "Natural drainage" means any channel, swale or depression which conducts water as part of the natural drainage pattern of a site.

Driveway, Residential. "Residential driveway" means a private paved or unpaved area used for ingress or egress of vehicles, and allowing access extending from a property line to a building or other structure or facility on the subject parcel.

DRAFT: April 20, 2021

Dwelling. "Dwelling" means any building or portion thereof used exclusively for residential purposes but does not include hotels, clubs, boardinghouses or rooming houses, fraternity or sorority houses, **continuum of care facilities**, or institutions.

Dwelling Unit. "Dwelling unit" means any building or portion thereof, including a fabricated home or portion thereof, which contains at a minimum permanent kitchen and bathroom (i.e. a toilet) facilities **for residential use types as defined in defined in Article 304, Use Classification System**, but which may also include living, sleeping, and eating facilities as required by the Development Code, the International Building Code, and/or the National Manufactured Home and Safety Standards Act.

Electronic Notice. "Electronic notice" means any notice required by law that is transmitted via electronic means and which provides a method of verifying receipt to the sender that the receiver has received the notice. Electronic includes, but is not limited to, e-mail, facsimile transmission that identify the receiver and have a time and date stamp.

Endangered Species. "Endangered species" means any species listed as such in the Federal Register which is in danger of extinction throughout all or a significant portion of its range.

Engineer. "Engineer" means a Nevada registered engineer pursuant to NRS Chapter 625.

Ephemeral Stream. "Ephemeral stream" means a stream that flows only in direct response to precipitation, and thus discontinues its flow during dry seasons. Such flow is usually of short duration. Most of the dry washes of more arid regions may be classified as ephemeral streams.

Erosion. "Erosion" means the detachment and movement of soil from the land surface by wind, water or gravity.

Fabricated Home. "Fabricated home" means a dwelling unit fabricated in an off-site manufacturing facility for installation or assembly at the building site. Fabricated homes include modular homes, manufactured homes and mobile homes. The term "fabricated home" does not include a "recreational vehicle."

Facility for Transitional Living for Released Offenders. "Facility for transitional living for released offenders" means a residence that provides housing and a living environment for persons who have been released from prison and who require assistance with reintegration into the community, other than such a residence that is operated or maintained by a state or local government or an agency thereof. The term does not include a halfway house for recovering alcohol and drug abusers or a facility for the treatment of abuse of alcohol or drugs. As used in this section, person who has been released from prison means:

- (a) A parolee.
- (b) A person who is participating in:
  - (1) A judicial program pursuant to NRS 209.4886 or 213.625; or
  - (2) A correctional program pursuant to NRS 209.4888 or 213.371.
- (c) A person who is supervised by the Division of Parole and Probation of the Department of Public Safety through residential confinement.
- (d) A person who has been released from prison by expiration of his or her term of sentence.

Family. "Family" means one (1) or more persons related by blood, marriage or legal adoption, or a group of six (6) or fewer unrelated persons and two additional persons who act as house parents or guardians, living together in a dwelling unit.

**DRAFT: April 20, 2021**

Fence. "Fence" means a wall or barrier constructed of boards, masonry, wire or any other material for the purpose of enclosing space or separating parcels of land. The term "fence" does not include retaining walls, but does include fence gates and gateposts.

Fill. "Fill" means shaping of the land surface by depositing soil, rock or other materials.

Final Map. "Final map" means the map or recording instrument for subdivisions of land as described in Article 610. A final map may also be used to record an approved parcel map at the option of either the subdivider or the County.

Fire Management. "Fire management" means activities required for the protection of resources and values from fire, or the use of fire to meet land management goals and objectives.

Flood or Flooding. "Flood" or "flooding" means a general and temporary condition of partial or complete inundation of normally dry land areas from the overflow of inland waters; or the unusual and rapid accumulation of runoff of surface waters from any source.

Flood, One Hundred (100) Year. "One hundred (100) year flood" also called the "base flood" means a flood having a one (1) percent chance of being equaled or exceeded in any given year. The boundaries of the one hundred (100) year flood include both the floodway and the flood fringe areas as shown on the Federal Emergency Management Agency (FEMA) Flood Insurance Rate Maps.

Flood Boundary and Floodway Maps (Floodway). "Flood Boundary and Floodway Maps" means the official maps on which the Federal Insurance Administration has delineated both the areas of flood hazard and the floodway.

Flood Elevation. "Flood elevation" means the elevation of the water surface of the base flood based on the National Geodetic Vertical Datum (NGVD) of 1929.

Flood Elevation, Increase In. "Increase in flood elevation" means an increase in flood elevation of more than one (1) foot at any point.

Flood Fringe. "Flood fringe" means the area of the one hundred (100) year flood, exclusive of the floodway, as shown on the Flood Insurance Rate Maps, and any area determined by the Floodplain Administrator to have a one (1) percent or greater probability of flood in a given year.

Flood Hazard Areas. "Flood hazard areas" means the area designated by the Federal Emergency Management Agency as being flooded by the base flood, and is designated as "Zone A, AO, AH, AE and A99" on the Flood Insurance Rate Maps.

Flood Height. "Flood height" means the depth of the floodwater during the one hundred (100) year flood, computed as the difference between the elevation of the one hundred (100) year floodwater surface and the elevation ground surface at a given point in the flooded area.

Flood Insurance Rate Maps (FIRM). "Flood Insurance Rate Maps" means the official maps on which the Federal Insurance Administration has delineated the flood hazard area, the limited flooding area and the risk premium zones applicable to the community.

Flood Insurance Study (FIS). "Flood Insurance Study" means the official report provided by the Federal Emergency Management Agency that includes flood profiles, the Flood Insurance Rate Maps, the Flood Boundary and Floodway Maps, and the water surface elevation of the base flood.

Floodplain. "Floodplain" means any land area susceptible to being inundated by water from any source.

**DRAFT: April 20, 2021**

Floodplain Administrator. "Floodplain Administrator" means the person appointed to administer and implement the provisions of Article 416 of this Development Code.

Floodplain Management. "Floodplain management" means the operation of an overall program of corrective and preventive measures for reducing flood damage.

Floodproofing. "Floodproofing" means any combination of structural and nonstructural additions, changes or adjustments to structures which reduce or eliminate flood damage to real estate or improved property, water and sanitary facilities, structures and their contents.

Floodway. "Floodway" means the channel of a river or other watercourse and the adjacent land areas that must be reserved in order to discharge the base flood without cumulatively increasing the water surface elevation more than one (1) foot. The floodway is delineated on the Flood Boundary and Floodway Maps.

Floor Area Ratio (FAR). "Floor area ratio" means the ratio of floor area permitted on a lot to the size of the lot. For example, a permitted FAR of 6.0 on a 10,000 square foot lot would allow a building with a total floor area of 60,000 square feet.

Front Line. "Front line" means the narrowest lot dimension fronting on a street.

Front Yards. See "Yard, Front."

Fuel Management. "Fuel management" means treating or controlling any vegetative material which adversely affects meeting fire management direction based upon resource management goals and objectives.

Fuelbreak. "Fuelbreak" means a strip of land, strategically placed for fighting anticipated fires, where hazardous fuels have been replaced with less burnable fuels (like grass). They divide fire-prone areas into smaller parcels for easier fire control and provide access for fire fighting.

Fuels. "Fuels" mean any material capable of sustaining or carrying a wildfire, usually natural material both live and dead.

Gaming. "Gaming" means any legally constituted gambling enterprise authorized under the laws of the State of Nevada other than slot machines when such machines are operated incidentally to the conduct of a licensed retail business.

Geothermal Resource. "Geothermal resource" means the natural heat of the earth and the energy associated with the natural heat, pressure and all dissolved or entrained minerals, but excluding hydrocarbons and helium, that may be obtained from the medium used to transfer that heat.

Governing Body. "Governing body" refers to the Washoe County Board of County Commissioners, unless otherwise clearly indicated.

Government Patent Easement. "Government patent easement" means an easement granted through a patent by the federal government for a public purpose, generally for public access and utility purposes.

Grade. "Grade" is the lowest point of elevation of the finished surface of the ground, paving or sidewalk within the area between the building and the property line or, when the property line is more than 5 feet from the building, between the building and a line 5 feet from the building.

Gradient. "Gradient" is the slope of a lot measured as the difference in elevation of finished grade between the midpoint of the front property line and the farthest opposite point of the lot depth.

**DRAFT: April 20, 2021**

Grading. "Grading" means removal of trees and shrubs with surface soil grading for smoothness.

Greenbelt. "Greenbelt" means an area where measures such as fuel management, land use planning and development standards are applied to mitigate fire, flood and erosion hazard. More traditionally, an irrigated landscaped buffer zone between development and wildlands, usually put to additional uses (e.g. golf course, park, etc.).

Gross Density. "Gross density" is the ratio of the total number of units to the total site area.

Ground Cover. "Ground cover" means low, dense-growing plants such as shrubs or vines, or inert materials such as rock or bark used to cover bare ground.

Ground Water Recharge. "Ground water recharge" means the infiltration of water into the earth. It may increase the total amount of water stored underground or only replenish the groundwater supply depleted through pumping or natural discharge. The natural or intentional infiltration of surface water into the Zone of Saturation (i.e. into the Ground Water). Also, the inflow of water to a ground water reservoir (Zone of Saturation) from the surface. Infiltration of precipitation and its movement to the water table is one form of natural recharge.

Group Foster Home. "Group foster home" means a natural person, partnership, firm, corporation or association who provides full-time care for seven (7) to fifteen (15) children who are:

- (a) Under eighteen (18) years of age;
- (b) Not related within the first degree of consanguinity or affinity to any natural person maintaining or operating the home; and received, cared for, and
- (c) Maintained for compensation or otherwise, including the provision of permanent free care.

Halfway House for Recovering Alcohol and Drug Abusers. "Halfway house for recovering alcohol and drug abusers" means a residence that provides housing and a living environment for recovering alcohol and drug abusers and is operated to facilitate their reintegration into the community, but does not provide any treatment for alcohol or drug abuse. The term does not include a facility for transitional living for released offenders.

Hallway. "Hallway" means a completely enclosed corridor, passageway, or other similar enclosed space that connects two (2) separate rooms, or ingress and egress points, and which is not intended nor designed as habitable space. A hallway shall not be used to connect two (2) separate dwelling units.

Hedge. "Hedge" means a dense row of plant material, such as shrubs, which are arranged to form a boundary or screen.

Highest Existing Grade. "Highest existing grade" means the highest natural elevation of the ground surface prior to construction next to the proposed walls of a structure.

Hillside Development. "Hillside development" means any development including individual lots which has slopes greater than fifteen (15) percent on twenty (20) percent or more of the site.

Historic Structure. "Historic structure" means any structure that is:

- (a) Listed individually in the National Register of Historic Places (a listing maintained by the Department of the Interior) or preliminarily determined by the Secretary of the Interior as meeting the requirements for individual listing on the National Register;

DRAFT: April 20, 2021

- (b) Certified or preliminarily determined by the Secretary of the Interior as contributing to the historic significance of a registered historic district or a district preliminarily determined by the Secretary of the Interior to qualify as a registered historic district;
- (c) Individually listed on a state inventory of historic places in states with historic preservation programs which have been approved by the Secretary of the Interior; or
- (d) Individually listed on a local inventory of historic places in communities with historic preservation programs that have been certified either:
  - (1) By an approved state program as determined by the Secretary of the Interior; or
  - (2) Directly by the Secretary of the Interior in states without approved programs.

Home for Individual Residential Care. "Home for individual residential care" means a home in which a natural person furnishes food, shelter, assistance and limited supervision, for compensation, to not more than two (2) persons with mental retardation or with disabilities or who are aged or infirm, unless the persons receiving those services are related within the third degree of consanguinity or affinity to the person providing those services. The term does not include:

- (a) A halfway house for recovering alcohol and drug abusers; or
- (b) A home in which supported living arrangement services are provided to assist individuals in maximizing his independence, including without limitation training and habitation services.

Hoop House/High Tunnel. "Hoop House" or "High Tunnel" means an enclosure that is used to cover and protect crops from sun, wind, excessive rainfall, or cold, to extend the growing season in an environmentally safe manner and having a life span of approximately 5 years. The coverings for these enclosures utilize flexible, not rigid materials.

Hotel. "Hotel" means a building occupied or intended to be occupied, for compensation, as the temporary residence for transient guests, primarily persons who have residence elsewhere, with an interior hall and lobby.

House Construction Factory. "House construction factory" means a building used for the construction of a single or multiple family dwelling, or the assembly of prefabricated single or multiple family dwelling components, or a combination of the above-described procedures, which results in a completed single or multiple family dwelling that can be transported to a lot for which service has been provided and which has been improved to accommodate the installation of the dwelling.

Household. "Household" means the person or persons occupying a housing unit.

Impervious Surface. "Impervious surface" means the surface through which water cannot penetrate, such as a roof, road, sidewalk or paved parking area.

Incorporated City. "Incorporated city" means a city incorporated under the laws of the State of Nevada.

Infrastructure. "Infrastructure" means the basic facilities such as roads, schools, power plants, transmission lines, transportation and communication systems on which the continuance and growth of a community depends.

Inoperable Vehicle. "Inoperable vehicle" means a vehicle, as defined by NRS 482.135, which:

**DRAFT: April 20, 2021**

- (a) Does not display current license plates (from any state) registered to the vehicle; and,
- (b) Is visibly damaged, wrecked, dismantled, in serious disrepair, deteriorating (rusting, rotting) or missing major components, or is being salvaged, parted out, prepared for crushing, shredding or scrapping; and,
- (c) Is not awaiting disposition instructions as a result of a collision.

Interior Lot. See " Lot, Interior."

Junkyard. "Junkyard" means any space for storage, abandonment or sale of junk, scrap material or similar waste, including the dismantling, demolition or abandonment of automobiles, other vehicles, machinery or parts. Junkyard shall be synonymous with salvage yard.

Kitchen. "Kitchen" means a room or space within a room equipped with such electrical or gas hook up that would enable the installation of a range, oven, or like appliance using 220/40 volts or natural gas (or similar fuels, such as propane) for the preparation of food, and also containing either or both a refrigerator and sink for the washing and/or disposal of food.

Landscaped Buffer. "Landscaped buffer" means an area of landscaping which separates two (2) distinct land uses, or a land use and a public right-of-way, and which acts to soften or mitigate the effects of one (1) land use on the other.

Landscaping. "Landscaping" means an area devoted to and maintained with a mixture of existing or new native or exotic plants such as turf, groundcover, shrubs, flowers, vines and trees, as well as additional complementary decorative features such as rocks, decorative pavement, fountains, pools, sculpture and decorative wall.

Ldn. "Ldn" means the average equivalent A-weighted sound level during a 24-hour day obtained by adding ten decibels to the hourly noise levels measured during the night (10:00 p.m. to 7:00 a.m.). In this way, Ldn takes into account the lower tolerance of people for noise during nighttime periods. Ldn noise level measurements are typically plotted onto a map to identify noise contours around a significant noise generator (e.g. freeways, airports, etc.).

Limited Gaming. "Limited gaming" means gaming enterprises authorized by the State Gaming Control Board whereby any person or gaming establishment may be issued a limited gaming license or have such conditions placed on a gaming license as necessary to protect the public interest.

Livestock. "Livestock" means:

- (a) All cattle or animals of the bovine species;
- (b) All horses, mules, burros and asses or animals of the equine species;
- (c) All goats or animals of the caprine species;
- (d) All swine or animals of the porcine species; and
- (e) All sheep or animals of the ovine species.

Loading Space. "Loading space" means an off-street space or berth on the same lot with a building or contiguous to a group of buildings for the temporary parking of vehicles while handling merchandise or materials.

**DRAFT: April 20, 2021**

Lot. "Lot" means a distinct part or parcel of land divided with the intent to transfer ownership or for building purposes, which abuts upon a permanent means of access and is assigned a single parcel number by the Washoe County Assessor's Office.

Lot, Corner. "Corner lot" means a lot situated at the intersection of two (2) or more streets or a lot that abuts one (1) street that changes directions, curves or turns around the lot with an interior angle of 135 degrees or less.

Lot, Interior. "Interior lot" means either (a) a lot bounded by a street on only one (1) side; or, (b) a lot situated at the intersection of (2) streets having an interior angle of one hundred thirty-five (135) degrees or more; or, (c) a lot that has continuous street frontage on only one (1) street and when the curvature of the lot along the street frontage exceeds one hundred thirty-five (135) degrees or more.

Lot, Through. "Through lot" means a lot bounded by two (2) streets that do not intersect at the boundaries of the lot.

Lot Coverage. "Lot coverage" is a measure of intensity of land use which represents the portion of a site that is impervious (i.e. does not absorb water). This portion includes, but is not limited to, all areas covered by buildings, parking structures, driveways, roads, sidewalks, and any areas of concrete asphalt. In the case of lumberyards, areas where lumber is stored also constitutes impervious surfaces.

Lot Depth. "Lot depth" is the distance between the front and rear lot lines measured in the mean direction of the side lines.

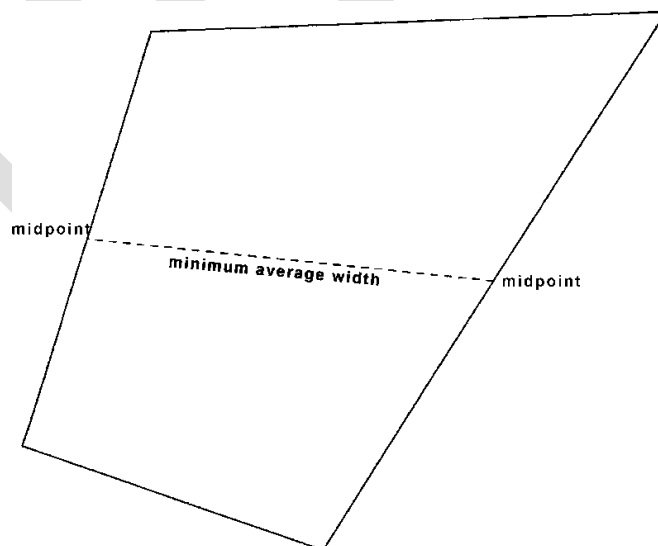
Lot Size. "Lot size" is the total square footage of a lot.

Lot Width. "Lot width" may be determined in one of the following three ways:

- (a) The distance between the side lot lines measured at right angles to the lot depth at a point midway between the front and rear line (see Figure 110.902.15LW1);

Figure 110.902.15.LW1

**DISTANCE BETWEEN SIDE LOT LINES**



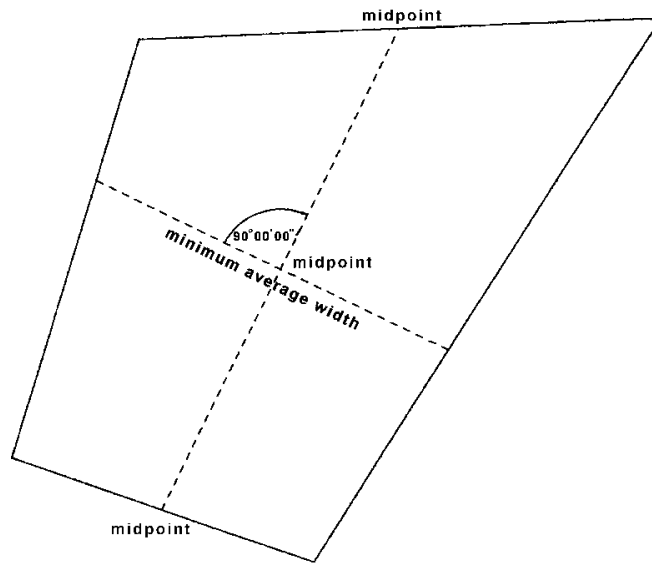
Source: George Lindesmith, PLS.



DRAFT: April 20, 2021

- (b) The distance between the midpoints of the side lot lines (see Figure 110.902.15LW2); or  
Figure 110.902.15.LW2

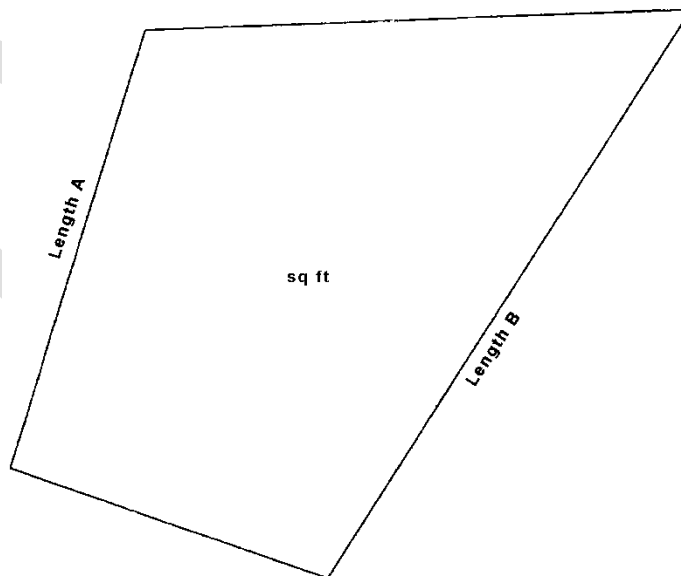
**DISTANCE BETWEEN MIDPOINTS**



Source: George Lindesmith, PLS.

- (c) Area/Average Depth = Average Width (see Figure 110.902.15LW3).  
Figure 110.902.15.LW3

**AREA/AVERAGE WIDTH**



$$\text{Area/Average Depth} = \text{Average Width}$$
$$\text{Area Sq Ft} / \frac{\text{Length A} + \text{Length B}}{2} = \text{Average Width}$$

**DRAFT: April 20, 2021**

---

Source: George Lindesmith, PLS.

Lowest Floor. "Lowest floor" means the lowest floor of the lowest enclosed area (including basement). An unfinished or flood resistant enclosure, usable solely for parking of vehicles, building access or storage, in an area other than a basement area is not considered a building's lowest floor, provided that such enclosure is not built so as to render the structure in violation of the applicable non-elevation design requirements.

Main Building. "Main building" means a building devoted to the principal use of the lot on which it is situated.

Major Subdivision. "Major subdivision" means a subdivision which contains five (5) or more lots, parcels, sites, units, plots or interests.

Manufactured Home. "Manufactured home" is a dwelling unit fabricated in an off-site manufacturing facility for installation or assembly at the building site, bearing the label certifying that it is built in compliance with the Federal Manufactured Housing Construction and Safety Standards in effect on the date of manufacture. A manufactured home is further defined by Nevada Revised Statute (NRS 489.113). A manufactured home is not a mobile home, nor a modular home.

Manufactured Home Park Site. "Manufactured home park site" is the entire tract of land used for a manufactured home park.

Manufactured Home Space. "Manufactured home space" is the area in a manufactured home park that is rented or leased to the occupant or occupants of a manufactured home.

Manufactured Home Subdivision. "Manufactured home subdivision" is a subdivision designed and/or intended for the sale of lots for siting manufactured homes.

Master Plan. "Master Plan" means the Washoe County Master Plan including both countywide elements and area plans, and a number of more detailed plans and studies related to the plans.

Median Income or County Median Income. "Median income" or "County median income" means the level of income in Washoe County whereby one-half (1/2) of the population earns greater than that level of income and one-half (1/2) of the population earns less than that level of income. Median income is determined on a yearly basis by the Department of Housing and Urban Development.

Military Installation. "Military installation" means a base or facility at which or from which the Air Force, Army, Coast Guard, Marine Corps, Navy, Air Force Reserve, Army Reserve, Coast Guard Reserve, Marine Corps Reserve, Navy Reserve or National Guard conducts exercises, maneuvers, operations, patrols or training.

Minor Subdivision. "Minor subdivision" means a subdivision which contains four (4) or less lots, parcels, sites, units, plots or interests.

Minute Action. "Minute action" means an official final decision made by the Board of County Commissioners, as recorded in the County Clerk's minutes.

Mobile Home. "Mobile home" is a transportable, fabricated home, designed to be used as a year-round residential dwelling and built prior to enactment of the Federal Manufactured Housing Construction and Safety Standards Act of 1974, which became effective June 15, 1976. A mobile home, further defined by Nevada Revised Statute (NRS 489.120), does not bear an insignia of approval that the dwelling unit was

**DRAFT: April 20, 2021**

built in compliance with NRS Chapter 461. A mobile home is not a manufactured home, nor a modular home.

Mobile Home Park. "Mobile home park" means a tract of land under single ownership within which two (2) or more manufactured homes are occupied as residences on a permanent or semi-permanent basis. The homes are located on spaces that are rented or leased. Special facilities for the common use of the occupants may be included.

Mobile Home Park Site. "Mobile home park site" is the entire tract of land used for a mobile home park.

Modular Home. "Modular home" is a dwelling unit fabricated in an off-site manufacturing facility for installation or assembly at the building site, bearing a label certifying that it is built in compliance with local International Building Code standards and further meets all requirements of County Code Chapter 100. Modular homes shall be subject to the same permit process as site-built homes. A modular home is not a manufactured home, but includes what is commonly referred to as a panelized home.

Motel. "Motel" means a building occupied or intended to be occupied, for compensation, as the temporary residence for transient guests, primarily persons who have residence elsewhere, with access to each room or unit from an outside porch or landing (whether or not such outside porch or landing is enclosed with screen, glass, plastic or similar material).

Mulch. "Mulch" means an organic or inorganic material applied to landscaped areas to help minimize evaporation from the soil, reduce weeds, moderate soil temperatures and slow erosion.

National Register of Historic Places. "National Register of Historic Places" means the listing maintained by the U.S. National Park Service of areas which have been designated as historically significant. The Register includes places of local and state significance, as well as those of value to the nation in general.

Natural Area. "Natural area" means a land area which is unimproved and not occupied by any structures or man-made elements, and set aside for the conservation of permanent, undisturbed open space.

Net Density. "Net density" is the ratio of the total number of units to the site area minus the area of the streets, parking areas and undevelopable land.

Nevada Natural Heritage Site. "Nevada Natural Heritage Site" means areas of land or water which either:

- (a) Have unusual flora, fauna, geological, scenic or similar features of scientific, educational or recreational interest; or
- (b) Retain some degree, or have re-established, a natural character (although it need not be completely undisturbed).

Non-municipal Air Strips and Glider Ports. "Non-municipal air strips and glider ports" means any Federal Aviation Administration (FAA) recognized public use landing area, privately owned and operated for scheduled or non-scheduled air transportation activities, where commercial uses and aviation related commerce can occur. Such use may include provision of landing privileges, hangar and tie-down lease/rental spaces, fuel and lubrication service, flight instruction, plane rental, mechanical repairs, or any other form of aviation commerce. Uses can also include scenic and sightseeing transportation service including helicopter rides, glider plane rides, air balloon rides, ultra-light and experimental aircraft activities and aircraft charters. The term "non-municipal air strips and glider ports" does not apply to public airports operated by any federal, state or local government agencies. The term also does not apply to a personal landing field that is used for fixed-wing aircraft or helicopter landing operations that are incidental and ancillary to established allowable uses including, but not limited to, agricultural,

**DRAFT: April 20, 2021**

ranching or mining activities, as long as no aviation related commerce is conducted at the personal landing fields.

NRS. "NRS" means Nevada Revised Statutes.

Open Space, Common. "Common open space" means the total land area, not individually owned or dedicated for public use, which is designed and intended for the common use or enjoyment of the residents or occupants of the development. Common open space includes swimming pools, putting greens and other recreational-leisure facilities; areas of scenic or natural beauty and habitat areas; hiking, riding or off-street bicycle trails; and landscaped areas adjacent to roads which are in excess of minimum required rights-of-way.

Open Space, Private. "Private open space" means the outdoor living area directly adjoining a dwelling unit or building which is intended for the private enjoyment of the residents or occupants of the dwelling unit or building and which is defined in such a manner that its boundaries are evident.

Open Space Use. "Open space use" means the current employment of land, the preservation of which use would conserve and enhance natural or scenic resources, protect streams and water supplies or preserve sites designated as historic pursuant to law, provided such land has a greater value for another use than for open space use.

Outdoor Storage. "Outdoor Storage" means the outside placement of items and materials that are incidental to the existing principal use of the property, except as provided for under Section 110.306.35(d), for a period of more than seventy-two (72) consecutive hours. Outdoor storage is further defined and regulated in the Washoe County Nuisance Code (WCC Sections 50.300 to 50.310, inclusive).

Parcel Map. "Parcel map" means a map for a minor subdivision.

Parcel of Land. "Parcel of land" means any unit or contiguous units of land assigned a single parcel number by the Washoe County Assessor's Office.

Parking Area. "Parking area" means an open area, excluding a street or other public right-of-way, used for the parking of vehicles and available to the public, whether for free or for compensation.

Permanent Employee Housing. "Permanent employee housing" means housing for employees of an isolated industrial, mining, railroad, highway, utilities or agricultural based use where those employees occupy the housing on a permanent basis year round. This development may occur on a single parcel or multiple parcels.

Permitted Water Rights. "Permitted water rights" means the right, in accordance with NRS Chapter 533 and as approved by the Nevada State Engineer, to appropriate public waters, or to change the place of diversion, manner of use or place of use of water already appropriated.

Perennial Stream. "Perennial stream" means a stream that flows from source to mouth throughout the year. This definition does not apply to a man-made watercourse constructed for irrigation, aesthetic or other purposes.

Person. "Person" means a firm, association, corporation, partnership or an individual.

Personal Landing Field. "Personal landing field" means a private use aviation landing area that is used for fixed-wing aircraft or helicopter landing operations that are incidental and ancillary to established allowable land uses including, but not limited to, agricultural, ranching or mining activities, as long as no aviation related commerce is conducted at the personal landing fields. Personal landing fields do not

**DRAFT: April 20, 2021**

engage in scheduled or non-scheduled air transportation activities, or in any scenic and sightseeing transportation service, or any other form of aviation commerce. The term "personal landing field" does not apply to "non-municipal air strips and glider ports," or to public airports operated by any federal, state or local government agencies.

Placement. "Placement" means the issuance of a set-up permit by the Building and Safety Department for a manufactured home or mobile home.

Planting Area. "Planting area" means an area devoted to or maintained predominantly with native or exotic plants including turf, groundcover, shrubs, flowers, vines and trees with a limited portion of complementary decorative features.

Plumbing Fixture. A "plumbing fixture" is a receptacle, device, or appliance that is supplied with water or which receives liquid or liquid-borne wastes, and which discharges into a drainage system to which it may be directly or indirectly connected.

Police Powers. "Police powers" means powers reserved to the states by the U.S. Constitution and delegated to cities and counties through the Nevada Constitution and the Nevada Revised Statutes; it is the authority to create and enforce ordinances and regulations that are not in conflict with general laws in order to promote the health, safety and general welfare of the public.

Print. "Print" means and includes a blueprint, photostat, direct process print or other copy which reproduces exactly the original drawing from which it was made.

Private Communication Antenna. "Private communication antenna" means any system of wires or poles or similar devices, excluding satellite dish antennas, used for the transmission or reception of electromagnetic waves by federally licensed amateur radio or citizen band radio operators, which system is external to or attached to the exterior of any building.

Private Garage. "Private garage" means a space intended for or used by the private automobiles of families resident upon the lot.

Public Garage. "Public garage" means a building for the repair, storage or hire of motor vehicles.

Rear Line. "Rear line" means the lot line most directly opposite the front line. A parcel of land may have only one (1) rear line.

Rear Yard. See "Yard, Rear."

Recreational Vehicle. "Recreational vehicle" means a vehicular structure that is primarily designed as temporary living quarters for travel, recreation and camping uses. A recreational vehicle can be self-propelled, mounted on, or towed by a separate vehicle.

Recreational Vehicle Park. "Recreational vehicle park" means a tract of land for the transient use by two or more recreational vehicles.

Regional Plan. "Regional Plan" means the Truckee Meadows Regional Plan.

Required Area. "Required area" means the minimum area of a lot or parcel necessary to permit its use under the provisions of the Development Code. Required area refers to:

- (a) Any lot shown as part of a subdivision recorded as a final plat in the manner provided by law;

**DRAFT: April 20, 2021**

- (b) Any parcel of land separated as a lot prior to the adoption and effective date of the original Washoe County Land Use Ordinance or the adoption of additional regulatory zones; or
- (c) Any lot or parcel of land which has an area not less than that required in the respective regulatory zone.

Residential Facility for Groups. "Residential facility for groups" means an establishment that furnishes food, shelter, assistance and limited supervision to a person with mental retardation or with a disability or a person who is aged or infirm. The term includes, without limitation, an assisted living facility. The term does not include:

- (a) An establishment which provides care only during the day;
- (b) A natural person who provides care for no more than two (2) persons in his or her own home;
- (c) A natural person who provides care for one (1) or more persons related to him or her within the third degree of consanguinity or affinity;
- (d) A halfway house for recovering alcohol and drug abusers; or
- (e) A facility funded by a division or program of the Department of Health and Human Services.

Revegetation. "Revegetation" means stabilizing disturbed or graded soils after construction by replanting with indigenous or natural appearing plants.

Ridgeline. "Ridgeline" means the topmost line connecting the series of highest elevation points of a ridge, running center and parallel to the long axis of the ridge and from which all water drains down.

Ridgeline, Significant. "Significant ridgeline" means the topmost line connecting the series of highest elevation points of a ridge, as identified on the Development Suitability map for each planning area included in Volume Two: Area Plans of the Washoe County Master Plan.

Right-of-Way. "Right-of-way" is a strip of land occupied or intended to be occupied by a publicly dedicated street, including the pavement, sidewalks and parkways, crosswalk, railroad, electric transmission line, oil or gas pipeline, water main, sanitary or storm sewer main, shade streets or other special use.

Riparian. "Riparian" means related to or located on the bank of a natural water course.

Riparian Habitat. "Riparian habitat" means the land and plants bordering a watercourse or lake.

Room. "Room" is space in a structure for living, sleeping, eating or cooking. Bathrooms, toilet compartments, closets, halls, storage or utility space, and similar areas, are not considered habitable space and therefore, not a room.

Roominghouse. "Roominghouse" means a building or portion thereof (not a motel) where, for compensation, lodging is provided for more than three (3) guests.

Runoff. "Runoff" means that part of precipitation which flows over the land without filtering into the soil.

**DRAFT: April 20, 2021**

Rural Regulatory Zones. "Rural regulatory zones" means the Low Density Rural Regulatory Zone, Medium Density Rural Regulatory Zone, and High Density Rural Regulatory Zone.

Satellite Dish Antenna. "Satellite dish antenna" means a device incorporating a reflective surface that is solid, open mesh or bar configured and is in the shape of a shallow dish, cone, horn or cornucopia. Such device shall be used to transmit and/or receive radio or electromagnetic waves between terrestrially and/or orbitally based uses. This definition is meant to include, but not be limited to, what are commonly referred to as satellite earth stations, TVROs (television reception only satellite dish antennas), and satellite microwave antennas.

Scenic Corridor. "Scenic corridor" means a roadway with recognized high quality visual amenities that include background vistas of mountains, open country or city.

School. "School" means an institution of learning which offers instructions in the several branches of learning required to be taught in the public schools of the State of Nevada.

Screen. "Screen" means to provide physical separation and complete visual obscuration of one area from another on all sides and in all seasons. Such separation must be at least six (6) feet high and includes, but is not limited to, the combination or individual use of a fence, decorative wall, structure, earth berm or dense landscaping.

Section 404 (Clean Water Act). "Section 404 (Clean Water Act)" means that section of the Clean Water Act delineating restrictions on the dredging and filling (only) of Wetlands in the United States. While Section 404 Permits are issued by the U.S. Army Corps of Engineers (COE), Section 404 regulations are written by the U.S. Environmental Protection Agency (EPA).

Section 404 (Clean Water Act) Permit. "Section 404 (Clean Water Act) Permit" means the Wetland dredge and fill permit issued under regulations written to conform to Section 404 of the Clean Water Act. The permit is actually granted by the U.S. Army Corps of Engineers (COE).

Sedimentation. "Sedimentation" means the act or process of depositing sediment from suspension in water. All the processes whereby particles of rock material are accumulated to form sedimentary deposits. Sedimentation, as commonly used, involves not only aqueous but also glacial, aeolian, and organic agents. (Water Quality) Letting solids settle out of wastewater by gravity during treatment.

Service Standards. "Service standards" means a measurement of municipal services used to monitor or compare services provided by the County and other service providers.

Setback. "Setback" means the required distance between every structure and the lot line of the lot on which the structure(s) is located.

Shrubs. "Shrubs" means a self-supporting woody species of plants characterized by persistent stems and branches springing from the base.

Side Yard. See "Yard, Side."

Site-Built Home. "Site-built home" means a dwelling unit where the major components are fabricated and assembled at the building site or a dwelling unit constructed at a house construction factory located within Washoe County. Site-built homes shall comply with Washoe County building codes and other adopted local codes.

Slope. "Slope" means an inclined ground surface expressed as a ratio of horizontal distance to vertical distance.

**DRAFT: April 20, 2021**

Slaughter House, Agricultural. "Agricultural slaughter house" means a building used as an ancillary structure on a farm or ranch for the non-profit slaughtering of animals raised on-site and the processing and storage of animal products and waste that results from a slaughtering process.

Slaughter House, Commercial. "Commercial slaughter house" means a building used for the for-profit slaughtering of animals that are either raised on-site or transported to the building and the processing and storage of animal products and waste that results from a slaughtering process.

Solar Energy. "Solar energy" means energy derived from the sun's rays.

Specific Plan. "Specific plan" means a plan prepared for a portion of an area plan which prescribes uses and development standards for that portion.

Story. "Story" is that portion of a building included between the upper surface of any floor and the upper surface of the floor next above, except that the topmost story shall be that portion of a building included between the upper surface of the topmost floor and the ceiling or roof above. If the finished floor level directly above a usable or unused under-floor space is more than six (6) feet above grade as defined herein for more than fifty (50) percent of the total perimeter or is more than twelve (12) feet above grade as defined herein at any point, such usable or unused under-floor space shall be considered as a story.

Story, First. "First story" is the lowest story in a building which qualifies as a story, as defined herein, except that a floor level in a building having only one (1) floor level shall be classified as a first story, provided such floor level is not more than four (4) feet below grade, as defined herein, for more than fifty (50) percent of the total perimeter, or more than eight (8) feet below grade, as defined herein, at any point.

Stream. "Stream" means a general term for a body of flowing water; natural watercourse containing water at least part of the year. In hydrology, the term is generally applied to the water flowing in a natural channel as distinct from a canal. Some classifications of streams include, in relation to time:

- (a) Ephemeral Streams. Streams that flow only in direct response to precipitation and whose channel is at all times above the water table.
- (b) Intermittent or Seasonal Streams. Streams that flow only at certain times of the year when it receives water from springs, rainfall, or from surface sources such as melting snow.
- (c) Perennial Streams. Streams that flow continuously.

Streambanks. "Streambanks" mean the usual boundaries, not the flood boundaries, of a stream channel. Right and left banks are named facing downstream (in the direction of flow).

Street. "Street" means a public right-of-way or easement which affords a primary means of access to abutting property.

Structure. "Structure" means a walled and roofed building or manufactured home, including a gas or liquid storage tank that is primarily above ground. "Structure" does not include a tent, trailer or vehicle.

Subdivider. "Subdivider" means any person or persons, firm, corporation, partnership or association that causes land to be divided into a subdivision for himself or itself or for others. A consultant, engineer or surveyor who does not hold title to the land is not considered a subdivider.

Subdivision. "Subdivision" means any land, vacant or improved, which is divided or proposed to be divided vacant or improved, into two (2) or more lots, parcels, sites, units or plots for the purposes of any



**DRAFT: April 20, 2021**

transfer, development or any proposed transfer or development unless exempted by one of the following provisions:

- (a) "Subdivision" does not apply to any division of land which creates lots, parcels, sites, units or plots of land each of which comprise forty (40) or more acres of land, or 1/16 of a section, including roads and roadway easements, which is subject to the provisions of Article 612.
- (b) Any joint tenancy or tenancy in common shall be deemed a single interest in land.
- (c) Unless a method of disposition is adopted for the purpose of evading this Development Code or would have the effect of evading this Development Code, the term "subdivision" does not apply to:
  - (1) Any division of land which is ordered by any court in this state or created by operation of law;
  - (2) A lien, mortgage, deed of trust or any other security instrument;
  - (3) A security or unit of interest in any investment trust regulated under the laws of this state or any other interest in an investment entity;
  - (4) Cemetery lots; or
  - (5) An interest in oil, gas, minerals or building materials which are not or hereafter severed from the surface ownership or real property.
- (d) "Subdivision" does not apply to creation of parcels of more than (10) acres for agricultural purposes if a street, road or highway opening, widening or easement of any kind is not involved.
- (e) For the purposes of the definition "subdivision," any interest in land created or established as joint tenancy or a tenancy in common shall be a single interest and not an interest in common, if, and only if, the use or development or the proposed use or development of such land would not be a subdivision as defined in this section if undertaken or proposed by a single entity, whether corporate or an individual. See "Major Subdivision" and "Minor Subdivision."

Substantial Improvement. "Substantial improvement" means any repair, reconstruction, additions or other improvement of a structure, the cost of which equals or exceeds fifty (50) percent of the market value of the structure either before the improvement or addition is started or, if the structure has been damaged, before the damage occurred, regardless of the actual repair work performed. For the purpose of this definition, "substantial improvement" is considered to occur when the first alteration of any wall, ceiling, floor or other structural part of the building commences, whether or not that alteration affects the external dimensions of the structure. "Substantial improvement" does not include:

- (a) Any project for improvement of a structure to comply with existing state or local health, sanitary or safety code specifications; or
- (b) Any alteration of a structure listed on the National Register of Historic Places or a State Inventory of Historic Places.

**DRAFT: April 20, 2021**

- (1) "Substantial improvement" is considered to occur when the first alteration of any wall, ceiling, floor or other structural part of the building commences, whether or not that alteration affects the external dimensions of the structure; and
- (2) "Substantial improvement" does not include improvement of a structure solely to comply with existing state or local health, sanitary or safety code specifications, or any alteration of a structure listed on the National Register of Historic Places or a State Inventory of Historic Places.

Suburban Regulatory Zones. "Suburban regulatory zones" means the Low Density Suburban Regulatory Zone, Medium Density Suburban Regulatory Zone, and High Density Suburban Regulatory Zone.

Surface Runoff. "Surface runoff" means water that results from precipitation which is not absorbed by the soil, evaporated into the atmosphere or entrapped by ground surface depressions and vegetation, and which flows over the ground surface to adjoining properties, storm drains or waterways.

Surveyor. "Surveyor" means a land surveyor registered pursuant to NRS Chapter 625.

Temporary Employee Housing. "Temporary employee housing" means housing for employees of an isolated industrial, mining, railroad, highway, utilities or agricultural based use where those employees occupy the housing on a seasonal basis not more than six (6) months per year. This development may occur on a single parcel or multiple parcels.

Tentative Parcel Map. "Tentative parcel map" means a map which is filed pursuant to Article 606, conforming to the standards and requirements set forth therein.

Tentative Subdivision Map. "Tentative subdivision map" means a preliminary map made to show lot lines, roads, buildings, rights-of-ways and other design factors of a proposed subdivision.

Terrace. "Terrace" means a relatively level step constructed in the face of a graded slope surface for drainage, maintenance and/or development purposes.

Threatened Species. "Threatened species" means any species which is likely to become an endangered species within the foreseeable future and which has been designated in the Federal Register as a threatened species.

Through Lot. See "Lot, Through."

Topography. "Topography" means configuration of a surface, including its relief and the position of natural and man-made features.

Topsoil. "Topsoil" means the upper part of the soil profile that is relatively rich in humus, known in agronomy as the "A-horizon."

Total Developed Land Area. "Total developed land area" means that portion of a property which is disturbed for development purposes including, but not limited to, areas covered by buildings, landscaping, impervious surfaces and other areas graded or excavated to support the development.

Trailer Coach. See "Mobile Home."

Travel Trailer. See "Recreational Vehicle."

Tree. "Tree" means a large, woody perennial plant with one main trunk or multiple trunks, and many branches.

**DRAFT: April 20, 2021**

Unladen Weight. "Unladen weight" means the weight of any vehicle without load, but fully equipped with accessories and appliances belonging to and used by such vehicle in the transportation of persons or property.

Uplighting. "Uplighting" means a source of light where the center of the light beam is at an angle greater than the horizontal.

Urban Regulatory Zones. "Urban regulatory zones" means the Low Density Urban Regulatory Zone, Medium Density Urban Regulatory Zone, and High Density Urban Regulatory Zone.

Use or Land Use. "Use" or "land use" means the primary or primary and secondary use(s) of land such as single family residential, multi-family residential, commercial, industrial, agriculture, etc. The description of a particular land use should convey the dominant character of a geographic area and, thereby, establish types of activities which are appropriate and compatible with primary use(s).

Used. "Used" includes "arranged," "designed" or "intended to be used."

Vegetation, Native. "Native vegetation" means plants that grow naturally in Washoe County, Nevada and have adapted to the climate, soil, location and rainfall patterns of their area.

Vegetation, Natural. "Natural vegetation" means plants which exist on a site before clearing or grading.

Viewshed. "Viewshed" means the surface area that can be seen from a specific viewpoint.

Vista. "Vista" means an area of high ground or projecting earth from which there is a dominant and unobstructed view of surrounding areas.

Watercourse. "Watercourse" means any natural or artificial watercourse, stream, river, creek, ditch, channel, canal, conduit, culvert, drain, gully, ravine, arroyo or wash in which water flows in a definite channel, bed or bank.

Waters of the State (Defined) (Nevada Revised Statutes 445A.415). "Waters of the State" means all waters situated wholly or partly within or bordering upon the State of Nevada, including, but not limited to:

- (a) All streams, lakes, ponds, impounding reservoirs, marshes, water courses, waterways, wells, springs, irrigation systems and drainage systems; and
- (b) All bodies or accumulations of water, surface and underground, natural or artificial.

Wetland. "Wetland" means an area that is periodically inundated or saturated by surface or groundwater on an annual or seasonal basis, that displays hydric soils, and that typically supports or is capable of supporting hydrophytic vegetation.

Wetlands (COE and EPA) (Regulatory). "Wetlands (COE and EPA)" means the U.S. Army Corps of Engineers (COE) and the U.S. Environmental Protection Agency (EPA) have adopted a regulatory definition for administering the Section 404 permit program of the Clean Water Act (CWA) as follows: [Wetlands are] those areas that are inundated or saturated by surface or groundwater at a frequency and duration sufficient to support, and that under normal circumstances do support, a prevalence of vegetation typically adapted for life in saturated soil conditions. Wetlands generally include swamps, marshes, bogs and similar areas.

Wetlands (NRCS) (Technical). "Wetlands (NRCS)" mean the (U.S. Department of Agriculture) Natural Resources Conservation Service (NRCS) [formerly the Soil Conservation Service (SCS)] uses the following definition for identifying wetlands on agricultural land in assessing farmer eligibility for U.S.

**DRAFT: April 20, 2021**

Department of Agriculture program benefits under the "Swampbuster" provision of the Food Security Act (FSA) of 1985. As amended in 1990, the FSA states that the term "wetland," except when such term is part of the term "converted wetland," means land that:

- (a) Has a predominance of hydric soils;
- (b) Is inundated or saturated by surface or ground water at a frequency and duration sufficient to support a prevalence of hydrophytic vegetation typically adapted for life in saturated soil conditions; and
- (c) Under normal circumstances does support a prevalence of such vegetation.

Will Serve Letter. "Will serve letter" means a letter from a utility purveyor assuring the provision of services for proposed development.

Yard. "Yard" means an open space on the same lot or parcel used with the building, extending from the setback line to the nearest lot line, to be unoccupied and unobstructed except as provided in the Development Code.

Yard, Front. "Front yard" means a yard lying between the setback line and the front lot line and extending across the full width of the lot or parcel. In the case of either a corner lot or an interior lot with multiple street frontages, all yards abutting streets, other than collectors or arterials, shall be considered as front yards.

Yard, Rear. "Rear yard" means a yard between the setback line and the rear lot line and extending across the full width of the lot or parcel. On a corner lot, the side opposite the shortest front yard width is considered the rear yard of the lot.

Yard, Side. "Side yard" means a yard lying between the setback line and the side lot line and extending from the front yard line to the rear yard line.

Zone or Regulatory Zone. "Zone" or "Regulatory Zone" means a portion of the unincorporated area of Washoe County which is specifically designated in Article 106 of this Development Code.

*[Amended by Ord. 867, provisions eff. 5/27/93; Ord. 873, provisions eff. 6/7/93; Ord. 890, provisions eff. 11/29/93; Ord. 893, provisions eff. 3/4/94; Ord. 899, provisions eff. 5/31/94; Ord. 916, provisions eff. retro. to 5/26/93; Ord. 942, provisions eff. 4/1/96; Ord. 965, provisions eff. 10/1/96; Ord. 1076, provisions eff. 10/1/99; Ord. 1088, provisions eff. 1/28/00; Ord. 1089, provisions eff. retro to 1/1/00; Ord. 1091, provisions eff. 4/28/00; Ord. 1102, provisions eff. 8/11/00; Ord. 1112, provisions eff. 2/15/01; Ord. 1140, provisions eff. 12/31/01; Ord. 1156, provisions eff. 3/22/02; Ord. 1234, provisions eff. 05/21/04; Ord. 1238, provisions eff. 6/4/04; Ord. 1288 and 1290, provisions eff. 3/24/06; Ord. 1347, provisions eff. 11/2/07; Ord. 1356, provisions eff. 12/21/07; Ord. 1447, provisions eff. 9/9/10; Ord. 1451, provisions eff. 1/1/11; Ord. 1485, provisions eff. 3/27/12; Ord. 1504, provisions eff. 3/8/13; Ord 1584, provisions eff 8/19/16; Ord 1587, provisions eff. 11/25/16, Ord. 1640, provisions eff 7/19/19.]*

### SECTION 3. General Terms.

1. All actions, proceedings, matters, and things heretofore taken, had and done by the County and its officers not inconsistent with the provisions of this Ordinance are ratified and approved.

**DRAFT: April 20, 2021**

2. The Chairman of the Board and officers of the County are authorized and directed to take all action necessary or appropriate to effectuate the provisions of this Ordinance. The District Attorney is authorized to make non-substantive edits and corrections to this Ordinance.
3. All ordinances, resolutions, bylaws and orders, or parts thereof, in conflict with the provisions of this Ordinance are hereby repealed to the extent only of such inconsistency. This repealer shall not be construed to revive any ordinance, resolution, bylaw or order, or part thereof, heretofore repealed.
4. Each term and provision of this Ordinance shall be valid and shall be enforced to the extent permitted by law. If any term or provision of this Ordinance or the application thereof shall be deemed by a court of competent jurisdiction to be in violation of law or public policy, then it shall be deemed modified, ipso facto, to bring it within the limits of validity or enforceability, but if it cannot be so modified, then the offending provision or term shall be excised from this Ordinance. In any event, the remainder of this Ordinance, or the application of such term or provision to circumstances other than those to which it is invalid or unenforceable, shall not be affected.

Passage and Effective Date

Proposed on \_\_\_\_\_ (month) \_\_\_\_\_ (day), 2021.

Proposed by Commissioner \_\_\_\_\_.

Passed on \_\_\_\_\_ (month) \_\_\_\_\_ (day), 2021.

Vote:

Ayes:

Nays:

DRAFT: April 20, 2021

Absent:

---

Chair  
Washoe County Commission

ATTEST:

---

Janis Galassini, County Clerk

This ordinance shall be in force and effect from and after the 28th day of the month of June of the year 2021.

## Article 304

# USE CLASSIFICATION SYSTEM

---

### Sections:

110.304.00	Purpose
110.304.05	Classification Rules
110.304.10	Authority and Responsibility
110.304.15	Residential Use Types
110.304.20	Civic Use Types
110.304.25	Commercial Use Types
110.304.30	Industrial Use Types
110.304.35	Agricultural Use Types

**Section 110.304.00 Purpose.** The purpose of this article, Article 304, Use Classification System, is to classify uses according to a limited number of use types on the basis of common functional, product or compatibility characteristics, thereby providing a basis for regulation of uses in accordance with criteria which are directly relevant to the public interest. These provisions shall apply throughout the Development Code.

**Section 110.304.05 Classification Rules.** Uses will be classified into use types based upon the descriptions in Section 110.304.15 through Section 110.304.35, inclusive. The classifications shall comply with the provisions of this section.

- (a) Types of Uses Regulated. Only principal uses are included within the use classification system. Accessory uses and temporary uses are regulated by Article 306, Accessory Uses and Structures, and Article 310, Temporary Uses and Structures, respectively.
- (b) Typical Uses within Use Types. The description of the use types in this article often contain usual and customary uses classified within that use type. These usual and customary uses are examples and are not meant to include all uses that may properly be classified within the use type.
- (c) Classifying New Uses. New uses shall be classified into use types based upon the description of the use types and upon characteristics similar to other uses already classified within the use type, subject to the applicable provisions of subsection (d) of the section. The North American Industry Classification System shall be used to help define new uses when deemed appropriate by the Director of Community Development.
- (d) Classifying Several Uses on the Same Parcel. The principal uses conducted on a single parcel shall be classified separately.

*[Amended by Ord. 875, provisions eff. 8/3/93; Ord. 1433, provisions eff. 3/5/10.]*

**Section 110.304.10 Authority and Responsibility.** The Director of Community Development shall have the following authority and responsibilities with respect to the use classification system:

- (a) Classifying Uses. The Director of Community Development shall have the authority to classify uses according to use types or to determine that a use does not fit under any use type and, therefore, is not permitted. The classification of a use is an administrative decision without notice and hearing, except that an applicant can appeal the decision pursuant to Article 808, Administrative Permits.
- (b) List of Uses. The Director of Community Development shall develop and maintain an administrative list of common uses and the use types into which they are classified.

**Section 110.304.15 Residential Use Types.** Residential use types include the occupancy of living accommodations on a wholly or primarily non-transient basis but exclude institutional living arrangements providing twenty-four-hour skilled nursing or medical care and those providing forced residence, such as asylums and prisons.

- (a) Family Residential. The family residential use type refers to the occupancy of living quarters by one (1) or more families. The following are family residential use types:
  - (1) Attached Accessory Dwelling Unit. An attached accessory dwelling unit is a portion of or an addition to a single family main dwelling that has been designed or configured to be used as a separate and independent dwelling unit. An attached accessory dwelling unit includes, at a minimum, permanent kitchen and bathroom (i.e. a toilet) facilities, but may also include living, sleeping, and eating facilities, all separated from the main unit by walls or ceilings and accessed through a lockable exterior or interior door. The attached accessory dwelling unit shall not exceed forty (40) percent of the total square footage of the main dwelling unit or 1,000 square feet, whichever is smaller. The square footage of garages, crawl spaces, cellars, attics, or basements not designed for human occupancy shall not be included when calculating the total square footage of the main dwelling unit, unless such areas have been legally converted into habitable space. An attached accessory dwelling may be created by converting part of, or adding on to, an existing single family main dwelling. To be considered attached, the accessory dwelling unit must abut (i.e. be on the opposite side of a wall or ceiling) the habitable space of the main dwelling, or the ceiling of a garage attached to the main dwelling. Incidental and accessory features such as trellises, decks, patios, breezeways, or tool sheds will not be considered as establishing an attached structure/dwelling. Typical uses include guest rooms, guest apartments and "granny flats."
  - (2) Detached Accessory Dwelling Unit. A detached accessory dwelling unit refers to a dwelling unit on the same lot as the main dwelling unit, but which is physically separated from the main dwelling unit. A detached accessory dwelling unit is designed and configured to provide independent living facilities for one or more persons, and includes, at a minimum, permanent kitchen and bathroom (i.e. a toilet) facilities, but which may also include living, sleeping, and eating facilities. Except in the Medium Density Suburban (MDS) Regulatory Zone, a detached accessory dwelling unit shall not exceed fifteen hundred (1,500) square feet or fifty (50) percent of the total square footage of the main dwelling unit, whichever is smaller. In the Medium Density Suburban (MDS) Regulatory Zone, the detached accessory dwelling unit shall not exceed eight hundred (800) square feet or fifty (50) percent of the total square footage of the



main dwelling unit, whichever is smaller. The square footage of garages, crawl spaces, cellars, attics, or basements not designed for human occupancy shall not be included when calculating the total square footage of the main dwelling unit, unless such areas have been legally converted into habitable space. Typical uses include guest houses, second units, "granny flats" and caretaker's quarters.

- (3) Detached Accessory Structure. A detached accessory structure refers to a building or structure on the same lot as the main residential structure and devoted to a use incidental to that main residential structure. A detached accessory structure is not designed, configured, or used for human habitation. The detached accessory structure may be connected to water and wastewater systems subject to the recordation of a deed restriction prohibiting the use of the structure as a dwelling unit. Installation of both a kitchen (as defined in Article 902) and a toilet in a detached accessory structure shall render the structure as a dwelling unit and subject to the accessory dwelling unit provisions. Typical uses include storage buildings and sheds, barns and detached garages.
  - (4) Duplex. Duplex refers to the use of a parcel for two (2) dwelling units in a single structure.
  - (5) Multi-Family. Multi-family refers to the use of a parcel for three (3) or more dwelling units within one (1) or more buildings, including condominium developments.
  - (6) Single Family, Attached. Single family, attached refers to two (2) or more dwelling units constructed with a common or abutting wall with each located on its own separate parcel.
  - (7) Single Family, Detached. Single family, detached refers to the use of a parcel for only one (1) dwelling unit.
- (b) Manufactured Home Parks. Manufactured home parks use type refers to the occupancy of a dwelling unit defined as a mobile home or a manufactured home and which is located in a site defined as a manufactured home park.
- (c) Group Home. Group home use type refers to the occupancy of a single family dwelling by and the care for a group of ten (10) or fewer persons on a weekly or longer basis who are not defined as a family. The number of persons who reside in a group home excludes any caregivers and their family who also reside in the single family residence.
- (1) This term includes specifically the following uses:
    - (i) Residential facility for groups; or
    - (ii) Home for individual residential care;
    - (iii) Halfway house for recovering alcohol or drug abusers;
    - (iv) Group foster home.

- (2) The term group home does not include a child care institution or a facility for transitional living for released offenders.

*[Amended by Ord. 875, provisions eff. 8/3/93; Ord. 959, provisions eff. 7/26/96; Ord. 1088, provisions eff. 1/28/00; Ord. 1156, provisions eff. 3/22/02; Ord. 1451, provisions eff. 1/1/11; Ord. 1485, provisions eff. 3/27/12.]*

**Section 110.304.20 Civic Use Types.** Civic use types include the performance of utility, educational, cultural, medical, protective, governmental and other uses which are strongly vested with public or social importance.

- (a) Administrative Services. Administrative services use type refers to consulting, record keeping, clerical or public contact services that deal directly with the citizen, together with incidental storage of necessary equipment and vehicles.
- (b) Child Care. Child care use type refers to the use of a building or a portion thereof for the daytime care of individuals under eighteen (18) years of age. Child care use types are subject to the regulations and permission of the Washoe County Department of Social Services. This use type includes nursery schools, preschools, daycare centers and similar uses, but excludes those classified under education. The following are child care use types:
  - (1) Family Daycare. Family daycare refers to daycare services provided for six (6) or fewer full-time children, including those of the child care facility licensee who are under the age of seven (7) years, except that care may also be provided for up to three (3) additional part-time children for three (3) hours before school and three (3) hours after school, but only during periods when schools are in session, subject to the regulations and permission of the Washoe County Department of Social Services.
  - (2) Large-Family Daycare. Large-family daycare refers to daycare services provided for more than six (6) full-time children, including those of the child care facility licensee who are under the age of seven (7) years.
  - (3) Child Daycare. Child daycare refers to services providing non-medical care to any number of children in need of personal services or supervision, on less than a twenty-four (24) hour basis, but excluding services provided in a private dwelling.
- (c) Community Center. Community center use type refers to recreational, social or multi-purpose uses within buildings with no fixed seats and occupancy limited to five hundred (500) or fewer. Typical uses include public or private, non-commercial clubs.
- (d) Community Garden. Community garden use type refers to an area of land managed and maintained by a group to grow and harvest food crops, non-food crops (such as native plants), or ornamental crops (such as flowers), for personal or group use, consumption, or donation. Commercial sale of any crops produced in the community garden is prohibited. A community garden may be established in any regulatory zone subject to the following conditions:
  - (1) A signed affidavit shall be submitted to the division stating that the property owners, or the owners designated agent, agree to the proposed use. All

liability considerations are the responsibility of the property owner and the users of the property.

- (2) A site plan shall be submitted to the division showing the areas to be cultivated, the location of any structures associated with the use, access points, how and where water will be obtained, and parking locations (if applicable).
  - (3) Structures smaller than or equal to two-hundred (200) square feet may be established on-site to support operation and maintenance of the community garden, provided they are located at least five (5) feet from any property line, do not block any easements, and do not impede sight visibility from or onto public streets. All tools, equipment, chemicals, or fertilizers stored on site shall be within a locked structure.
  - (4) Activities at the garden site shall be limited to daylight hours. The use of motorized equipment is limited to the hours of 8 a.m. to 5 p.m. No exterior lighting or illumination shall occur.
  - (5) Once all outdoor crops have been harvested for the current growing season, the area utilized shall be cleaned of any dead vegetation or supporting materials within thirty (30) days of the final harvest or by November 15, whichever comes first. Tilling of the dead vegetation back into the soil is allowed and meets this requirement.
- (e) Convalescent Services. Convalescent services use type refers to provision of bed care and in-patient services for persons requiring regular medical attention, but excludes a facility providing surgical or emergency medical services and a facility providing care for alcohol or drug addiction.
- (f) Cultural and Library Services. Cultural and library services use type refers to non-profit, museum-like preservation and exhibition of objects of permanent interest in one or more of the arts and sciences, gallery exhibition of works of art or library collection of books, manuscripts, etc., for study and reading.
- (g) Education. Education use type refers to educational services provided by public, private or parochial institutions, but excludes uses classified under commercial education services. Typical uses include elementary, junior high, and senior high schools, and junior colleges. Curriculum must be approved by the State Department of Education. This use type does not refer to home schooling of children who live on-site.
- (1) Private School Facilities. Private School Facilities use type refers to educational services for the education of the children of the community that are funded primarily by means other than tax revenue.
  - (2) Public School Facilities. Public School Facilities use type refers to educational services for the education of the children of the community that are funded primarily with tax revenue.
- (h) Group Care Facility. Group care facility use type refers to an establishment that provides housing and living environment on a weekly or longer basis, for a group of persons not defined as a family or a group home. These facilities may provide life skill training, living assistance and supervised care service, but excludes medical treatment or uses classified under hospital services. This term includes specifically the following types of uses:

- (1) Child Care Institution;
  - (2) Facility for transitional living for released offenders;
  - (3) Group home use types which accommodate more persons that permitted as a group home.
- (i) Hospital Services. Hospital services use type refers to medical, psychiatric or surgical services for sick or injured persons primarily on an in-patient basis, including ancillary facilities for out-patient and emergency medical services, diagnostic services, training, research, administration and services to patients, employees or visitors.
- (j) Major Services and Utilities.
- (1) Utility Services. Utility services use type refers to the provision of electricity, water or other liquids, or gas, through wires, pipes or ditches through utility services involving major structures that have flexibility in location. Typical uses include natural gas transmission lines and substations, petroleum pipelines, and irrigation water ditches.
  - (2) Major Public Facilities. Major public facilities use type refers to public facilities that provide a significant service and have a substantial impact on the community. Typical uses are sanitary landfills, airports, and detention and correction facilities.
- (k) Nature Center. Nature center use type refers to an area set aside for the public viewing and display of indigenous or exotic wildlife and/or indigenous or exotic plant life on either a for-profit or non-profit basis in a structured setting. Typical uses include zoos, wildlife sanctuaries, arboretums and gardens.
- (l) Parks and Recreation. Parks and recreation use type refers to publicly owned parks or private not for profit recreation facilities and open space facilities within the recreation areas. These may be operated by a concessionaire. The following are park and recreation use types:
- (1) Active Recreation. Active recreation refers to public park recreational uses that may have a potential impact on the area or adjacent land uses. Uses include participant sports and developed family recreational areas. Typical uses include group picnicking, tennis courts, swimming pools, softball diamonds, group campgrounds, and community centers operated by a public entity.
  - (2) Passive Recreation. Passive recreation refers to public park recreational uses that have no or a minimal impact on the area and adjacent land uses. Uses include hiking, nature study, wildlife refuge, fishing and viewing. No active uses, such as group picnicking, camping and sporting activities, are included.
- (m) Postal Services. Postal services use type refers to mailing services, excluding major processing, as provided by the United States Postal Service, including branch post offices and public and private facilities.
- (n) Public Parking Services. Public parking services use type refers to parking services involving building and lots which may be privately and/or publicly owned and operated and

is assigned to meet a parking demand. Commercial parking is that which is not designated for any identified use.

- (o) Public Service Yard. Public service yard use type refers to the use of a property operated by a governmental agency for the purposes of storing equipment and materials and includes ancillary office and meeting space for public service projects. A public service yard is limited to operations involving public road construction, road maintenance, snow removal and operations supporting public parks construction and maintenance.
- (p) Religious Assembly. Religious assembly use type refers to religious services involving public assembly such as customarily occurs in synagogues, temples and churches.
- (q) Safety Services. Safety services use type refers to public safety and emergency services, including police and fire protection services, and emergency medical and ambulance services.

*[Amended by Ord. 875, provisions eff. 8/3/93; Ord. 895, provisions eff. 1/24/94; Ord. 1023, provisions eff. 7/1/98; Ord. 1088, provisions eff. 1/28/00; Ord. 1156, provisions eff. 3/22/02; Ord. 1368, provisions eff. 6/20/08; Ord. 1433, provisions eff. 3/5/10; Ord. 1485, provisions eff. 3/27/12; Ord. 1540, provisions eff. 9/5/14; Ord. 1623, provisions eff. 9/21/18.]*

**Section 110.304.25 Commercial Use Types.** Commercial use types include the distribution and sale or rental of goods, and the provision of services other than those classified as civic or industrial use types. All permanent commercial uses are required to operate from a commercial structure.

- (a) Administrative Offices. Administrative offices use type refers to offices or private firms or organizations which are primarily used for the provision of executive, management or administrative services. Typical uses include administrative offices and services including travel, secretarial services, telephone answering, photo-copying and reproduction, and business offices of public utilities, organizations and associations, or other use classifications when the service rendered is that customarily associated with administrative office services.
- (b) Adult Characterized Business. Adult characterized business use type refers to uses defined in Washoe County Code, Chapter 25.
- (c) Animal Sales and Services. Animal sales and services use type refers to establishments or places of business primarily engaged in animal-related sales and services. Animals kept as domestic pets or as accessory uses to a residential use are regulated by the accessory use provisions of Article 330, Domestic Pets and Livestock. The following are animal sales and services use types:
  - (1) Commercial Kennels. Commercial kennels refers to kennel services for dogs, cats and similar animals. Typical uses include commercial animal breeding with four (4) or more animals (dogs), boarding kennels, pet motels, or dog training centers. Commercial kennels require a parcel size minimum of two-and-one-half (2.5) acres regardless of the regulatory zone within which it is located.
  - (2) Commercial Stables. Commercial stables refers to boarding or raising of three (3) or more horses, but excludes horses used primarily for agricultural operations which are classified under animal production.

Typical uses include commercial stables, riding clubs and riding instruction facilities.

- (3) Grooming and Pet Stores. Grooming and pet stores refers to grooming or selling of dogs, cats and similar small animals. Typical uses include dog bathing and clipping salons, pet grooming shops, or pet stores and shops.
  - (4) Pet Cemeteries. Pet cemeteries refers to services involving the preparation of dead animals for burial and the keeping of animal bodies on cemetery grounds as well as cremation of dead animals. Regardless of the regulatory zone in which it is located, a pet cemetery must be located on a parcel at least two-and-one-half (2.5) acres in size. Cremation of dead animals shall take place in an area designated only for the cremation of pets and which complies with any applicable federal or state statute or regulation or local ordinance.
  - (5) Veterinary Services, Agricultural. Veterinary services, agricultural refers to veterinary services specializing in the care and treatment of large animals. Veterinary services for small animals including pet clinics, dog and cat hospitals, or animal hospitals may be included to provide full veterinary services. Veterinary services, agriculture requires a parcel size minimum of two-and-one-half (2.5) acres regardless of the regulatory zone within which it is located. Typical uses include veterinary offices for livestock.
  - (6) Veterinary Services, Pets. Veterinary services, pets refers to veterinary services for small animals. Typical uses include pet clinics, dog and cat hospitals, or animal hospitals.
  - (7) Dog Training Services. Dog training services use type means the training of dogs with their owners or owners' designee, where both owner and dog participate in dog training classes.
- (d) Automotive and Equipment. Automotive and equipment use type refers to establishments or places of business primarily engaged in automotive-related or heavy equipment sales or services. The following are automotive and equipment use types:
- (1) Automotive Repair. Automotive repair refers to repair of automobiles and the sale, installation and servicing of automobile equipment and parts. Typical uses include muffler shops, automobile repair garages or automobile glass shops.
  - (2) Automotive Sales and Rentals. Automotive sales and rentals refers to on-site sales and/or rentals of automobiles, non-commercial trucks, motorcycles, motor homes and trailers together with incidental maintenance. Typical uses include automobile dealers, car rental agencies, or recreational vehicle sales and rental agencies.
  - (3) Cleaning. Cleaning refers to washing and polishing of automobiles. Typical uses include automobile laundries or car washes.
  - (4) Commercial Parking. Commercial parking refers to parking of operable motor vehicles on a temporary basis within a privately owned off-street

parking area with or without a fee. Commercial parking is that which is not designated for any identified use. Typical uses include commercial parking lots or garages.

- (5) Equipment Repair and Sales. Equipment repair and sales refers to repair of motor vehicles such as aircraft, boats, recreational vehicles, trucks, etc.; the sale, installation and servicing of automobile equipment and parts; and body repair, painting and steam cleaning. Typical uses include truck transmission shops, body shops, storage of manufactured homes, motor freight maintenance groups or agricultural equipment sales.
  - (6) Fabricated Housing Sales. Fabricated housing sales refers to the sales of new and used modular housing, manufactured homes and/or mobile homes; and ancillary minor repair of modular housing, manufactured homes and/or mobile homes sold from the same location as the new or used units. Typical uses include mobile homes sales lots and minor repairs of units sold on site that do not include changes in walls and do not include changes in undercarriage plumbing or support systems.
  - (7) Storage of Operable Vehicles. Storage of operable vehicles refers to storage of operable vehicles, recreational vehicles and boat trailers. Typical uses include storage areas within personal storage facilities and storage yards for commercial vehicles.
  - (8) Truck Stops. Truck stops refers to businesses engaged in the sale of fuel and lubricants primarily for trucks, routine repair and maintenance of trucks, and associated uses such as selling food and truck accessories.
- (e) Building Maintenance Services. Building maintenance services use type refers to establishments primarily engaged in the provision of maintenance and custodial services to firms rather than individuals. Typical uses include janitorial, landscape maintenance or window cleaning services.
- (f) Commercial Centers. Commercial centers use type refers to a group of unified commercial establishments built on a site which is planned, developed, owned and managed as an operating unit. The following are commercial center use types:
- (1) Neighborhood Centers. Neighborhood centers refers to sales of convenience goods (foods, drugs and sundries) and personal services, those which meet the daily needs of an immediate neighborhood trade area. A neighborhood center typically includes convenience retail and services a population of 2,500 to 40,000 people, typically has a service area radius of one-half to one-and-one-half miles, and has a typical range of 15,000 to 50,000 square feet of gross leasable area.
  - (2) Community Centers. Community centers refers to shopping establishments containing some services of the neighborhood center plus other services providing a greater depth and range of merchandise than contained in the neighborhood center. A community center may be built around a department store or a variety store as the major tenant. A community center generally serves a trade area population of 40,000 to 50,000 people, typically has a service area radius of one to three miles, and has a typical range of 50,000 to 150,000 square feet of gross leasable area.

- (3) Regional Centers. Regional centers refers to centers that provide shopping goods, general merchandise, apparel, furniture and home furnishings in full depth and variety. They usually are built around more than one department store. Typical design uses the pedestrian mall, either open or enclosed, as a connector between major anchor stores. A regional center serves as a major commercial center for the entire region and typically has more than 150,000 square feet of gross leasable area.
- (g) Commercial Educational Services. Commercial educational services use type refers to educational services provided by private institutions or individuals with the primary purpose of preparing students for jobs in trade or profession. Typical uses include business and vocational schools, music schools and hair styling schools.
- (h) Commercial Recreation. Commercial recreation use type refers to commercial establishments or places of business primarily engaged in the provision of sports, entertainment or recreation for participants or spectators. The following are commercial recreation use types:
- (1) Commercial Campground Facilities/RV Park. Commercial campground facilities/RV park refers to areas and services for two (2) or more campsites, accommodating camping vehicles and tents, which are used by the general public as temporary living quarters for recreational purposes. Typical uses include recreational vehicle campgrounds.
- (2) Destination Resorts. Destination resorts refers to commercial enterprises for recreation that can include lodging. Typical uses include ski resorts, dude ranches, and hunting and fishing lodges.
- (3) Indoor Entertainment. Indoor entertainment refers to predominantly spectator uses conducted within an enclosed building. Typical uses include motion picture theaters, meeting halls and dance halls.
- (4) Indoor Sports and Recreation. Indoor sports and recreation refers to predominantly participant sports conducted within an enclosed building. Typical uses include bowling alleys, billiard parlors, ice and roller skating rinks, indoor racquetball courts and athletic clubs.
- (5) Limited Gaming Facilities. Limited gaming facilities refers to establishments which contains no more than fifteen (15) slot machines (and no other game or gaming device) where the operation of the slot machine is incidental to the primary business of the establishment.
- (6) Marinas. Marinas refers to docking, storage, rental and minor repair of recreational and fishing boats. Typical uses include recreational boat marinas and boat rental establishments.
- (7) Outdoor Entertainment. Outdoor entertainment refers to predominantly spectator-type uses conducted in open or partially enclosed or screened facilities. Typical uses include sports arenas, racing facilities and amusement parks.
- (8) Outdoor Sports and Recreation. Outdoor sports and recreation refers to predominantly participant sports conducted in open or partially enclosed



or screened facilities. Typical uses include driving ranges, miniature golf courses, golf courses, swimming pools and tennis courts.

- (9) Outdoor Sports Club. Outdoor sports club refers to sports clubs using agricultural land or open space for hunting, shooting or fishing purposes. Typical uses include duck clubs, hunting clubs, skeet clubs and rifle ranges.
- (10) Unlimited Gaming Facilities. Unlimited gaming facilities refers to an establishment which contains fifteen (15) or more electronic gaming devices or operation of other gaming devices as authorized by the State of Nevada.
- (i) Communication Facilities. Communication facilities use type refers to establishments primarily engaged in the transmission and/or receiving of electromagnetic waves. Typical uses include television stations, radio stations, satellite dishes, antennas and wireless communication facilities. Refer to Article 324, Communication Facilities, for subcategories of communication facilities.
- (j) Construction Sales and Services. Construction sales and services use type refers to establishments or places of business primarily engaged in construction activities and incidental storage, as well as the retail or wholesale sale from the premises, of materials used in the construction of buildings or other structures. This use type does not include retail sales of paint, fixtures and hardware, or those uses classified as one of the automotive and equipment use types. This use type does not refer to actual construction sites. Typical uses include tool and equipment rental, or sales and building material stores.
- (k) Continuum of Care Facilities, Seniors. Continuum of care facilities for seniors use type refers to commercial establishments that provide housing, activities and twenty-four-hour skilled nursing or medical care to allow for adults to age in place. The number of continuum of care units and parking standards shall be determined through the special use permit process. All other development standards shall apply. Facilities may include independent living, assisted living, nursing care, hospice care, accessory housing for staff, and medical facilities and services for residents.
- (l) Convention and Meeting Facilities. Convention and meeting facilities use type refers to establishments which primarily provide convention and meeting facilities. Typical uses include convention facilities and wedding chapels.
- (m) Data Center. Data Center use type refers to establishments or places of business primarily engaged in the storage/housing of equipment, such as computers, servers, switches, routers, data storage devices, and related equipment for the purpose of storing, managing, processing, and exchanging of digital data and information.
- (n) Eating and Drinking Establishments. Eating and drinking establishments use type refers to establishments or places of business primarily engaged in the sale of prepared food and beverages for on-premises consumption, but excludes those uses classified under the liquor sales use type. The following are eating and drinking establishments use types:

- (1) Convenience. Convenience refers to establishments or places of business primarily engaged in the preparation and retail sale of food and beverages, have a short customer turnover rate (typically less than one hour), and may include sales of alcoholic beverages. Typical uses include drive-in and fast-food restaurants, ice cream parlors, sandwich shops and delicatessens.
- (2) Full Service. Full service refers to establishments or places of business primarily engaged in the sale of prepared food and beverages on the premises, which generally have a customer turnover rate of one hour or longer, and which include sales of alcoholic beverages at the table or at a bar as an accessory or secondary service. Typical uses include full-service restaurants.
- (o) Financial Services. Financial services use type refers to establishments primarily engaged in the provision of financial and banking services. Typical uses include banks, savings and loan institutions, loan and lending activities, and check cashing facilities.
- (p) Funeral and Interment Services. Funeral and interment services use type refers to provision of services involving the care, preparation or disposition of human dead. The following are funeral and interment services use types:
  - (1) Cemeteries. Cemeteries refers to undertaking services and services involving the keeping of bodies provided on cemetery grounds. Typical uses include crematoriums, mausoleums and columbariums.
  - (2) Undertaking. Undertaking refers to services involving the preparation of the dead for burial and arranging and managing funerals. Typical uses include funeral homes or mortuaries.
- (q) Gasoline Sales and Service Stations. Gasoline sales and service stations use type refers to retail sales of petroleum products from the premises of the establishment and incidental sale of tires, batteries, replacement items, lubricating services and minor repair services. Typical uses include automobile service stations.
- (r) Helicopter Services. Helicopter services use type refers to areas used by helicopter or steep-gradient aircraft. The following are helicopter services use types:
  - (1) Heliport. Heliport refers to areas used by helicopters or by other steep-gradient aircraft, which includes passenger and cargo facilities, maintenance and overhaul, fueling service, storage space, tie-down space, hangers and other accessory buildings, and open space.
  - (2) Helistop. Helistop refers to areas on a roof or on the ground used by helicopters or steep-gradient aircraft for the purpose of picking up or discharging passengers or cargo, but not including fueling service, maintenance or overhaul.
- (s) Liquor Manufacturing. Liquor manufacturing refers to the brewing, distillation, making, and/or manufacture of intoxicating liquors on the premises of the establishment. The resulting liquor products may be sold at retail to the public for on-site consumption and/or for off-site consumption. The liquor products may also

be sold to licensed importer and/or wholesaler liquor dealers, with or without sales to the public. Liquor manufacturing may be in conjunction with another commercial use type, such as a full service eating and drinking establishment. Typical uses include brew pubs, breweries, craft distilleries, and wine makers.

- (t) Liquor Sales. Liquor sales use type refers to retail sales of alcoholic beverages, as defined in Chapter 30 of County Code (Intoxicating Liquor and Gaming Licenses and Regulations), to the public. The following are liquor sales use types:
  - (1) Off-Premises. Off-premises refers to the retail sale of alcoholic beverages to the public for off-site consumption, but excludes uses classified under the retail sales use type. Typical uses include stores that sell packaged liquor.
  - (2) On-Premises. On-premises refers to the retail sale of alcoholic beverages to the public for on-site consumption, but excludes uses classified under the eating and drinking establishments use type. Typical uses include bars, taverns, cabarets, and casino service bars.
  
- (u) Lodging Services. Lodging services use type refers to establishments primarily engaged in the provision of lodging on a less-than-weekly basis within incidental food, drink, and other sales and services intended for the convenience of guests, but excludes those classified under residential group home and commercial recreation. The following are lodging services use types:
  - (1) Bed and Breakfast Inns. Bed and breakfast inns refers to single family dwellings with guest rooms (no cooking facilities in guest rooms) where, for compensation, meals and lodging are provided.
  - (2) Condominium Hotel. Condominium hotel refers to temporary residences for transient guests, primarily persons who have residence elsewhere, with access to each room through an interior hall and lobby or outside porch or landing, and when the hotel rooms are owned as separate real estate; and the remainder of the property including amenities, open space, etc. is either owned in common by the hotel room owners and managed by an association, or owned by a separate entity in which a fee for use of the amenities, open space, etc. may or may not be charged the hotel room owners.
  - (3) Hostels. Hostels refers to supervised transient facilities offering dormitory type lodging, usually with a minimum of facilities.
  - (4) Hotels and Motels. Hotels and motels refers to temporary residences for transient guests, primarily persons who have residence elsewhere, with access to each room through an interior hall and lobby or outside porch or landing.
  - (5) Vacation Time Shares. Vacation time shares refers to real properties that are subject to a time share program.
  
- (v) Marijuana Establishments. A marijuana establishment, as defined and authorized by NRS 453A and NRS 453D, refers to commercial establishments, facilities, or places of business primarily engaged in the cultivation, production, acquisition, testing, supply, sale or distribution of marijuana products and related supplies and services, either for medical or adult recreational use. All marijuana establishments must be licensed by the Department of Taxation ("Department"). A business may be licensed with the Department to act as

more than one of the marijuana establishment use types listed below in subsections one (1) through five (5). The following are marijuana establishment use types:

- (1) Marijuana Cultivation Facility. A marijuana cultivation facility, as defined by NRS 453A and/or 453D, refers to a business licensed as either a medical marijuana cultivation facility or as a marijuana cultivation facility, or both, which is authorized to cultivate, process, and package marijuana, to have marijuana tested by a marijuana testing facility, and to sell marijuana to retail marijuana stores, to marijuana product manufacturing facilities, and to other marijuana cultivation facilities, but not to consumers.
- (2) Marijuana Product Manufacturing Facility. A marijuana product manufacturing facility, as defined by NRS 453A and/or 453D, refers to a business licensed as a facility for the production of edible marijuana products or marijuana-infused products, and/or as a marijuana product manufacturing facility, which is authorized to purchase marijuana, manufacture, process, and package marijuana and marijuana products, and sell marijuana and marijuana products to other marijuana product manufacturing facilities and to retail marijuana stores, but not to consumers.
- (3) Marijuana Testing Facility. A marijuana testing facility, as defined by NRS 453A and/or 453D, refers to a business licensed as a medical marijuana independent testing laboratory and/or as a marijuana testing facility, which is authorized to test marijuana and marijuana products, including for potency and contaminants.
- (4) Retail Marijuana Store/Medical Dispensary. A retail marijuana store/medical dispensary, as defined by NRS 453A and/or 453D, refers to a business licensed as either a medical marijuana dispensary or as a retail marijuana store, or both, which is authorized to purchase marijuana from marijuana cultivation facilities, to purchase marijuana and marijuana products from marijuana product manufacturing facilities and retail marijuana stores, and to sell marijuana and marijuana products to consumers. In order to operate as a retail marijuana store / medical dispensary for adult recreational use, the business must retain State licensure as a medical marijuana dispensary to continue business operations in the unincorporated County.
- (5) Marijuana Distributor. A marijuana distributor, as defined by NRS 453D and WCC 25.708(2), refers to a business licensed to transport marijuana from a marijuana establishment to another marijuana establishment. A marijuana distributor license provides for the transport of both medical and recreational (adult use) marijuana, marijuana products and/or marijuana paraphernalia to marijuana establishments located within the unincorporated County.
  - (a) A retail marijuana store / medical dispensary is not required to obtain a marijuana distributor license to transport marijuana or marijuana products directly to consumers.
  - (b) Marijuana distributors will only transport marijuana, marijuana products and/or marijuana paraphernalia following the provisions of NRS Chapter 453D and NAC Chapter 453D.
  - (c) Wholesale intoxicating liquor dealers licensed pursuant to NRS Chapter 369 applying for a marijuana distributor license must possess a valid and current County Importer / Wholesaler intoxicating liquor license.

- (d) A marijuana distributor business is not allowed as a home-based business.
- (w) Medical Services. Medical services use type refers to establishments primarily engaged in the provision of personal health services ranging from prevention, diagnosis and treatment, or rehabilitation services provided by physicians, dentists, nurses and other health personnel as well as the provision of medical testing and analysis services, but excludes those classified as any civic use type. Typical uses include medical offices, dental laboratories, health maintenance organizations, immediate care facilities or sports medicine facilities.
- (x) Nursery Sales. Nursery sales use type refers to the sales of plants, flowers and related nursery items. The following are nursery sales use types:
  - (1) Retail. Retail refers to retail sale of plants and flowers and related nursery items. Typical uses include retail nurseries and home garden stores.
  - (2) Wholesale. Wholesale refers to wholesaling of plants and flowers, with incidental retail sales. Typical uses include wholesale nurseries.
- (y) Personal Services. Personal services use type refers to establishments primarily engaged in the provision of informational, instructional, personal improvement and similar services of a non-professional nature, but excludes services classified as commercial recreation or lodging services. Typical uses include photography studios, driving schools or weight loss centers.
- (z) Personal Storage. Personal storage use type refers to storage services primarily for personal effects and household goods within an enclosed storage area having individual access, but excludes workshops, hobby shops, manufacturing or commercial activity. Typical uses include mini-warehouses.
- (aa) Professional Services. Professional services use type refers to establishments which provide professional services to individuals or businesses, but excludes offices servicing walk-in customers which are classified under the administrative offices use type. Typical uses include law offices, real estate offices, insurance offices and architectural firms.
- (bb) Recycle Center. Recycle center use type refers to facilities for the collection, as a commercial enterprise, of household recyclables such as newspapers, bottles and cans. Recycle centers do not include recycle facilities existing as a part of a refuse pickup service or recycle bins used for donations to non-profit organizations. The following are recycle center use types:
  - (1) Full Service Recycle Center. Full service recycle center refers to large, fully attended recycle centers accepting paper, plastic and glass household recyclables and may include processing or sorting of the recyclables.
  - (2) Remote Collection Facility. Remote collection facility refers to a center for the acceptance, by redemption or purchase, of recyclable materials from the public. Such a facility does not process the recyclables on site. Typical uses include reverse vending machines.
  - (3) Residential Hazardous Substance Recycle Center. Residential hazardous substance recycle center refers to specialized recycling

centers that receive household hazardous substances such as household paint, household cleaners and automobile engine oil.

- (cc) Repair Services, Consumer. Repair services, consumer use type refers to establishments primarily engaged in the provision of repair services to individuals and households rather than firms, but excludes automotive repair. Typical uses include appliance repair shops, apparel repair firms or instrument repair firms.
- (dd) Retail Sales. Retail sales use type refers to retail sales of commonly used goods and merchandise, either free-standing or within a commercial center, but excludes those uses classified under other use types. The following are retail sales use types:
- (1) Convenience. Convenience refers to establishments which provide a limited number of frequently or recurrently needed personal items or services for residents of an immediate neighborhood. Typical uses include convenience stores, small grocery stores, barber shops, beauty parlors, dry cleaners and self-service laundromats.
  - (2) Specialty Stores. Specialty stores refers to establishments which provide a variety of retail or personal services needs for residents in the larger community area. Typical uses include supermarkets, super drugs stores, clothing boutiques, antiques, bookstores, furniture stores and auto parts.
  - (3) Comparison Shopping Centers. Comparison shopping centers refers to retail establishments that provide a wide variety of retail and personal services that cater to the regional needs. Typical uses include full-line department stores and warehouse-styled retail outlets.
- (ee) Secondhand Sales. Secondhand sales use type refers to establishments primarily engaged in the sale of goods and merchandise which are not being sold for the first time, but excludes those classified as animal sales and services and automotive and equipment. Typical uses include secondhand stores and thrift shops.
- (ff) Transportation Services. Transportation services use type refers to establishments which provide private transportation of persons and goods. Typical uses include taxi services and commercial postal services.
- (gg) Winery. The Winery use type refers to a facility comprising the building(s) or space used to make wine as an alcoholic beverage obtained by the fermentation of the natural content of fruits or other agricultural products containing sugar. A winery includes crushing of fruit, fermenting, bottling, blending, bulk and bottle storage, aging, shipping and receiving of wine making materials, laboratory equipment, associated maintenance equipment, and administrative office functions related to the operation of the winery. A winery may or may not have a vineyard associated with it and may include a public tasting room and the sale of merchandise related directly to the winery. A winery may only sell at retail by the bottle or serve by the glass, on its premises, wine produced, blended, or aged on site by the winery subject to any limitations set forth in NRS 597.240.

A winery may be established as a stand-alone principal use type or in combination with residential or other authorized use types. The growing of grapes for use in a winery use type or in wine making is classified as Crop Production, a separate

Agricultural Use Type. Wine making in the urban, commercial or industrial regulatory zones, or in conjunction with the manufacture of other types of intoxicating liquor, is classified as Liquor Manufacturing, a separate Commercial Use Type. Any allowed winery use type requires the issuance of the appropriate Washoe County business and liquor licenses pursuant to Chapters 25 and 30 of this Code. The business license application process for an allowed winery shall include the noticing of all adjacent property owners within 500 feet of the subject parcel, homeowners associations or Architectural Control Committees that are registered with the Building and Safety Division which have an interest in the subject parcel, and any properties that share a privately maintained access road to the subject parcel. Review and approval of a business license application to establish a winery shall include, at a minimum, review by the Washoe County Health District, the fire department of jurisdiction, and any General Improvement District with jurisdiction.

Winery with Special Events. Except in the Suburban Residential regulatory zone, a winery approved through an Administrative Permit may include, as part of the Administrative Permit application, provisions for conducting recurring special events as ancillary uses to the principal Winery use. "Special event" means an assembly of less than 100 persons on any one day of the event. Such recurring special events may include, but are not limited to, weddings, tours, promotional events, entertainment (indoor or outdoor), wine and food pairings, and craft fairs. Recurring special events proposed in conjunction with a Winery use must be included in the Administrative Permit application authorizing the Winery use. New or amended proposals for special events shall require either an amendment to the existing Administrative Permit (i.e. Amendment of Conditions) or a separate application for a Temporary Special Event Business License pursuant to Chapter 25 of this Code through the Business License division.

*[Amended by Ord. 875, provisions eff. 8/3/93; Ord. 906, provisions eff. 7/27/94; Ord. 1004, provisions eff. 1/30/98; Ord. 1023, provisions eff. 7/1/98; Ord. 1097, provisions eff. 7/28/00; Ord. 1179, provisions eff. 12/6/02; Ord. 1238, provisions eff. 6/4/04; Ord.1288, provisions eff. 3/24/06; Ord. 1347, provisions eff. 11/2/07; Ord. 1433, provisions eff. 3/5/10; Ord. 1481, provisions eff. 2/3/12; Ord. 1497, provisions eff. 10/5/12; Ord. 1527, provisions eff. 4/18/14; Ord. 1712, provisions eff. 6/27/14, Ord 1586, provisions eff. 10/7/16; Ord. 1616, provisions eff 4/20/18.]*

**Section 110.304.30 Industrial Use Types.** Industrial use types include the on-site production of goods by methods not agricultural in nature, including certain accessory uses.

- (a) Aggregate Facilities. Aggregate facilities use type refers to the extraction and processing of sand, gravel and rock from the ground. Typical uses include sand and gravel pit and ancillary uses such as concrete and asphalt batch plants.
- (b) Caretaker's Residence. Caretaker's residence refers to a permanent on-site residential unit for an industrial use. The purpose of this unit is to provide security for the industrial use and the site on which it is located. It shall be occupied only while a valid business license for an industrial use is in effect and only by an employee of the company which operates the industrial use and at no time shall it be rented to any party other than someone directly employed by the industrial use operator. The caretaker's residence and industrial use are permitted to share access to the site. A caretaker's residence should provide a permanent kitchen, toilet facilities, sleeping, eating, and living facilities, all separate from the industrial use, and must be permitted by all applicable state and local agencies. Two (2) standard parking spaces shall be reserved for use by the residents of the

caretaker's residence. The floor area of the unit shall not exceed two thousand (2,000) square feet. A minimum lot size of one (1) acre is required. Any solid fuel burning device is prohibited. Upon cessation of the industrial use, the use of the caretaker's residence must cease. The following are caretaker's residence use types:

- (1) Attached. Caretaker's residence attached must be attached to or located within the main structure for the industrial use. Only one (1) caretaker's residence is permitted per structure, regardless of the number of businesses located in that structure. Only one (1) caretaker's residence is permitted per employer and per parcel, regardless of the number of businesses located on that parcel.
  - (2) Detached. Caretaker's residence detached must be sited within the developed industrial area, and must be visually integrated with the industrial use. Only one (1) caretaker's residence is permitted per employer and per parcel, regardless of the number of businesses located on that parcel.
- (c) Custom Manufacturing. Custom manufacturing use type refers to the on-site production of goods by hand manufacturing or artistic endeavor which involves only the use of hand tools or domestic mechanical equipment and the incidental sale of these goods directly to consumers. Typical uses include ceramic studios, custom cabinet making, candle making shops and custom jewelry manufacturers.
- (d) Energy Production. Energy production use type refers to the commercial production of electricity.
- (1) Non-Renewable Energy Production. Non-Renewable energy production use type refers to the commercial production of energy utilizing any non-renewable source of energy.
  - (2) Renewable Energy Production. Renewable energy production use type refers to the commercial production of energy utilizing solar, geothermal, wind, hydroelectric, and biomass sources of energy.
- (e) General Industrial. General industrial use type refers to the on-site production of goods other than those that are agricultural or extractive in nature, but excludes those uses classified under custom manufacturing and high technology use types. The following are general industrial use types:
- (1) Limited. Limited refers to production processes which use already manufactured components to assemble, print or package a product such as cloth, paper, plastic, leather, wood, glass or stones, but not including such operations as paper, saw or planing mills, steel, iron or other metalworks, rolling mills, or any manufacturing uses involving primary production of commodities from raw materials. By the nature of the activity performed and/or the scale of operation, these uses can be located near residential or commercial uses with minimal impact to adjacent uses. Typical uses include apparel manufacturing, paper products finishing, furniture production and production of fabricated metal products.
  - (2) Intermediate. Intermediate refers to production processes which can be located near residential or commercial uses only if special control



measures are taken to mitigate the land use conflicts which can result from such operations. Typical uses include production of food substances, household appliance manufacturing, prefabrication of manufactured buildings, and major repair/reconstruction and storage of fabricated housing.

- (3) Heavy. Heavy refers to production processes which should not be located near residential or commercial uses due to the intensive nature of the industrial activity and/or the scale of operation. These uses may be located near other manufacturing uses exhibiting similar characteristics although special control measures may be required for some extremely intensive operations to ensure compatibility with similar industrial uses. Typical uses include motor vehicle assembly, sawmills, textile dyeing, leather tanning, hazardous chemical production, petroleum refining, primary metal processing, storage of manufactured homes and production of explosives or propellants.
- (f) High Technology Industry. High technology industry use type refers to the research, development and controlled production of high-technology electronic, industrial or scientific products. Typical uses include biotechnology firms and computer component manufacturers.
- (g) Inoperable Vehicle Storage. Inoperable vehicle storage use type refers to premises devoted to the parking and/or storage of inoperable vehicles. Typical uses include buildings, storage yards, and auto wrecking facilities devoted to the parking and/or storage of inoperable vehicles.
- (h) Laundry Services. Laundry services use type refers to establishments primarily engaged in the provision of large scale laundering, dry cleaning or dyeing services other than those classified as personal services. Typical uses include laundry agencies, diaper services or linen supply services.
- (i) Mining Operations. Mining operations use type refers to the extraction and processing of rocks and minerals from the ground, but excludes uses classified under the petroleum gas extraction use type. Typical uses include the mining of precious metals and industrial minerals.
- (j) Petroleum Gas Extraction. Petroleum gas extraction use type refers to the extraction of oil and natural gas from the ground and the temporary storage of oil at the well site. Typical uses include oil and gas wells.
- (k) Salvage Yards. Salvage yards use type refers to the collection, storage or sale of rags, scrap metal or discarded material; or the collection, dismantling, storage, salvaging or demolition of vehicles, machinery or other materials. Typical uses include junkyards and auto wrecking facilities.
- (l) Wholesaling, Storage and Distribution. Wholesaling, storage and distribution use type refers to establishments or places of business primarily engaged in wholesaling, storage and bulk sale distribution including, but not limited to, open-air handling of material and equipment other than live animals and plants. The following are wholesaling, storage and distribution use types:

- (1) Light. Light refers to wholesaling, storage and warehousing services within enclosed structures. Typical uses include wholesale distributors, storage warehouses, or moving and storage firms.
- (2) Heavy. Heavy refers to distribution and handling of materials and equipment. Typical uses include monument sales, stone yards or open storage yards.

*[Amended by Ord. 906, provisions eff. 7/27/94; Ord. 1039, provisions eff. 11/1/98; Ord. 1433, provisions eff. 3/5/10; Ord. 1443, provisions eff. 7/26/10; Ord. 1494, provisions eff. 8/9/12; Ord. 1504, provisions eff. 3/8/13.]*

**Section 110.304.35 Agricultural Use Types.** Agricultural use types include the on-site production of plant and animal products by agricultural methods.

- (a) Agricultural Processing. Agricultural processing use type refers to the processing of foods and beverages from agricultural commodities, but excludes animal slaughtering. Typical uses include canning of fruits and vegetables, processing of dairy products, and the production of prepared meats from purchased carcasses.
- (b) Agricultural Sales. Agricultural sales use type refers to the sale of agricultural supplies such as feed, grain and fertilizers. Typical uses include feed and grain stores.
- (c) Animal Production. Animal production use type refers to raising of animals or production of animal products, such as eggs or dairy products, on an agricultural or commercial basis, but excluding commercial slaughtering. Typical uses include grazing, ranching, dairy farming, poultry farming and aquaculture.
- (d) Animal Slaughtering, Agricultural. Agricultural animal slaughtering use type refers to the slaughtering of animals to be used in making meat products on the same premises.
- (e) Animal Slaughtering, Commercial. Commercial animal slaughtering use type refers to the slaughtering of animals to be sold to others or to be used in making meat products on the same premises. Typical uses include slaughter houses.
- (f) Animal Slaughtering, Mobile. Mobile animal slaughtering use type refers to the slaughtering of animals to be sold to others or to be used in making meat products, within a fully-enclosed mobile slaughtering facility approved by the US Food and Drug Administration, for a duration of not more than fourteen (14) days off-site on any one parcel within a calendar year. Typical uses include mobile commercial slaughtering units.
- (g) Crop Production. Crop production use type refers to raising and harvesting of tree crops, row crops or field crops on an agricultural or commercial basis, including packing and processing.
- (h) Forest Products. Forest products use type refers to commercial timber harvesting uses and facilities. Typical uses include production of forest products, sawmills and lumber camps.
- (i) Game Farms. Game farms use type refers to boarding or breeding of exotic animals generally considered as wild or not normally domesticated.

- (j) Produce Sales. Produce sales use type refers to the on-site sale of farm produce and/or shell eggs from property owned, rented or leased by the farmers who grow or produce all or part of the farm produce or shell eggs offered for sale. Typical uses include produce stands, and fruit and vegetable stands.
- (1) Only products grown or produced on-site may be sold. A minimum lot size of forty (40) acres is required to establish produce sales as an allowed use in the General Rural (GR) regulatory zone. A valid business license pursuant to Chapter 25 of County Code must be obtained prior to any sales.
  - (2) Temporary produce sales, for a maximum duration of thirty (30) days in any one (1) calendar year, are allowed in all regulatory zones; however, a valid business license pursuant to Chapter 25 of County Code must be obtained prior to any sales.

*[Amended by Ord. 1023, provisions eff. 7/1/98; Ord. 1433, provisions eff. 3/5/10; Ord. 1540, provisions effective 9/5/14.]*

# Article 902

## DEFINITIONS

---

### Sections:

110.902.00	Purpose
110.902.05	Applicability
110.902.10	Rules of Interpretation
110.902.15	General Definitions

**Section 110.902.00 Purpose.** The purpose of this article, Article 902, Definitions, is to promote consistency and precision in the interpretation of the Development Code.

**Section 110.902.05 Applicability.** The meaning and construction of words and phrases as set forth therein shall apply throughout the Development Code, except where the context of such words and phrases clearly indicates a different meaning or construction. Definitions contained in the adopted version of the International Building Code shall be applicable except when in conflict with definitions contained in the Development Code, in which case the Development Code definitions shall control. Additional definitions which apply only within one article or section may be contained within that article or section.

*[Amended by Ord. 1356, provisions eff. 12/21/07.]*

**Section 110.902.10 Rules of Interpretation.** The following general rules of interpretation shall apply to the textual provisions of the Development Code:

- (a) **Article and Section References.** "Article" means an article of the ordinance codified in this Development Code unless some other ordinance is specifically mentioned. "Section" means a section of the ordinance codified in this Development Code unless some other ordinance is specifically mentioned. "Subsection" means a subsection of the section in which the term occurs unless some other section is specifically mentioned.
- (b) **Definitions.** The Director of Community Development shall have the authority to determine the applicable definition source (e.g. Webster's Collegiate Dictionary, International Building Code, International Fire Code, etc.) in the event of a conflict.
- (c) **Headings.** Section and subsection headings contained herein shall not be deemed to govern, limit, modify or in any manner affect the scope, meaning or intent of any provision of this Development Code.
- (d) **Illustrations.** In case of any differences of meaning or implication between the text of any section or article and any illustration, the text shall control.
- (e) **Gender.** The masculine gender includes the feminine and neuter.
- (f) **Number.** The singular number includes the plural, and the plural the singular.

- (g) Tense. The present tense includes the past and future tenses, and the future tense includes the present tense.
- (h) Oath and Affirmation. "Oath" includes "affirmation."
- (i) Shall and May. "Shall" is mandatory and "may" is permissive.
- (j) Signature or Subscription and Mark. "Signature" or "subscription" includes "mark" when the signer or subscriber cannot write, such signer's or subscriber's name being written near the mark by a witness who writes his own name near the signer's or subscriber's name; but a signature or subscription by mark can be acknowledged or can serve as a signature or subscription to a sworn statement only when two (2) witnesses so sign their own names thereto.
- (k) Statutory References. Whenever reference is made to any portion of the ordinance codified in this Development Code, or of any other ordinance of this County or of any law of this state, the reference applies to all amendments and additions now or hereafter made.

*[Amended by Ord. 873, provisions eff. 6/7/93; Ord. 1356, provisions eff. 12/21/07.]*

**Section 110.902.15 General Definitions.** Unless otherwise specified, the following definitions shall be applicable throughout the Development Code:

A-Weighted Sound Level. "A-weighted sound level" means the sound pressure level in decibels as measured on a sound level meter using the A-weighting filter network. Sounds measured with an A-weighted filter are abbreviated dba or db(a).

Accessory Structure. "Accessory structure" means a subordinate structure, the use of which is incidental to that of the main structure or potential main structure, or main dwelling.

Accessway. "Accessway" means vehicular ingress and egress to a property or use.

Adequate Public Facilities Management. "Adequate public facilities management" means a method for ensuring that the infrastructure necessary to support a development project will be available concurrently with the impacts of that development, without causing the level of service provided by said infrastructure to fall below adopted standards.

Affordable Housing. "Affordable housing" means housing which is affordable to low-income households (not exceeding eighty (80) percent of the County median income) or moderate-income households (not exceeding one-hundred twenty (120) percent of County median income).

Agricultural Building. "Agricultural building" is a structure designed and constructed to store farm implements and equipment or hay, grain, poultry, livestock, fruit and other agricultural products. Cold storage warehouses are not agricultural buildings. An agricultural building shall not be used for human habitation; processing, treating, packaging agricultural products; or as a place used by the public. The term shall not include dwellings, but does include greenhouses.

Approved Access. "Approved access" means a way or means of approach to a parcel from either an abutting public road or from a private road, street or right-of-way approved by the County.

Area of Shallow Flooding. "Area of shallow flooding" means a designated AO or AH Zone on the Flood Insurance Rate Maps. The base flood depths range from 1 to 3 feet, a clearly defined

channel does not exist, the path of flooding is unpredictable and indeterminate, and velocity flow may be evident.

Area Plan. "Area plan" means plans adopted by Washoe County which cover specific subareas of the unincorporated County. These plans provide basic information on the natural features, resources and physical constraints that affect the development of the planning area. They also specify detailed land use designations which are then used to review specific development proposals and to plan services and facilities.

Arterial. "Arterial" means a main highway that is a through street.

Attached Accessory Dwelling Unit. "Attached accessory dwelling unit" means a portion of or an addition to a single family main dwelling that has been designed or configured to be used as a separate and independent dwelling unit. An attached accessory dwelling unit includes, at a minimum, permanent kitchen and bathroom (i.e. a toilet) facilities, but may also include living, sleeping, and eating facilities, all separated from the main unit by walls or ceiling and accessed through a lockable exterior or interior door. The attached accessory dwelling unit shall not exceed forty (40) percent of the total square footage of the main dwelling unit or one thousand (1,000) square feet, whichever is smaller. The square footage of garages, crawl spaces, cellars, attics, or basements not designed for human occupancy shall not be included when calculating the total square footage of the main dwelling unit, unless such areas have been legally converted into habitable space. An attached accessory dwelling may be created by converting part of, or adding on to, an existing single family main dwelling. To be considered attached, the accessory dwelling unit must abut (i.e. be on the opposite side of a wall or ceiling) the habitable space of the main dwelling, or the ceiling of a garage attached to the main dwelling. Incidental and accessory features such as trellises, decks, patios, breezeways, or tool sheds will not be considered as establishing an attached structure/dwelling. Attached accessory dwellings are often referred to as guest rooms, guest apartments and "granny flats."

Base Flood Calculation. "Base flood calculation" means a flood having a one (1) percent chance of being equaled or exceeded in any given year. See "Flood, One Hundred (100) Year."

Basement. "Basement" means the portion of a building between floor and ceiling, which is partly below and partly above grade, but so located that the vertical distance from grade to the floor below is less than the vertical distance from grade to ceiling.

Bed and Breakfast Establishment. "Bed and breakfast establishment" means a single-family dwelling containing not more than five (5) guest rooms (no cooking facilities in guest rooms) where, for compensation, meals and lodging are provided.

Berm. "Berm" means a mound or embankment of earth.

Billboard. "Billboard" means an outdoor advertisement making a material or services known, such advertisement being remote from the point of sale of such material or service.

Board. "Board" refers to the Board of County Commissioners of Washoe County.

Boardinghouse. "Boardinghouse" means a building or portion thereof (not a motel) where, for compensation, meals and lodging are provided for more than three (3) guests.

Breezeway. A "breezeway" means a covered walkway, passageway, or corridor that has at least one (1) side entirely or partially open (except for necessary supporting columns), is not intended nor designed as habitable space, and which may or may not be connected to a structure.

**Building.** "Building" means any structure having a permanent foundation, a roof supported by columns or walls and used for the enclosure of persons, animals or chattels, but not including a trailer (mobile home) or tent.

**Building Envelope.** "Building envelope" means the area to be occupied by any structure and associated development.

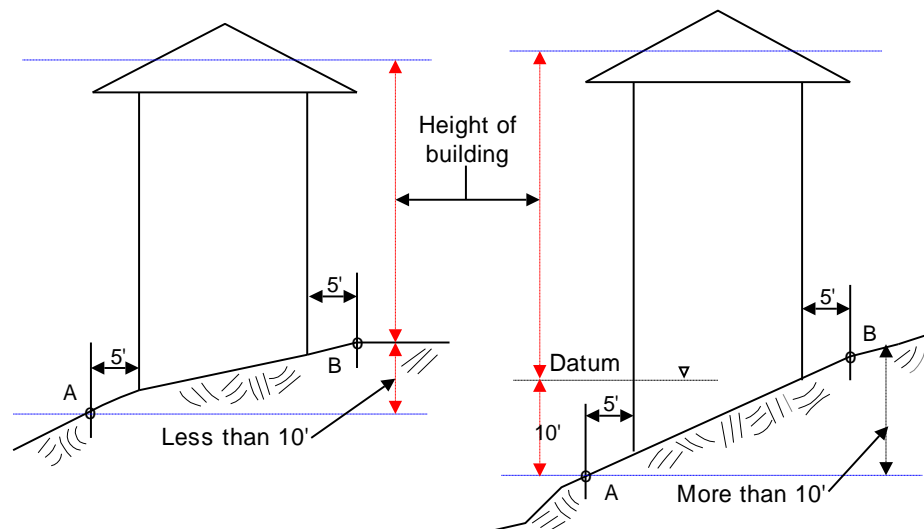
**Building Height.** "Building height" is the vertical distance above a reference datum measured to the highest point of the coping of a flat roof or to the deck line of a mansard roof or to the average height of the highest gable of a pitched or hipped roof. As illustrated in Figure 110.902.15.BH1, the reference datum shall be selected by either of the following, whichever yields a greater height of building:

- (a) The elevation of the highest adjoining sidewalk or ground surface within a five (5) foot horizontal distance of the exterior wall of the building when such sidewalk or ground surface is not more than ten (10) feet above lowest grade.
- (b) An elevation ten (10) feet higher than the lowest grade when the sidewalk or ground surface described in Item 1 above is more than ten (10) feet above lowest grade.

The height of a stepped or terraced building is the maximum height of any segment of the building.

Figure 110.902.15.BH1

**DETERMINATION OF BUILDING HEIGHT IN FEET**



Source: International Building Code Interpretation Manual.

**Building Intensity.** "Building intensity" refers to the bulk and concentration of physical development of uses permitted in a district. Lot coverage and height are examples of measures of building intensity.

**Cargo Container.** "Cargo Container" means an Intermodal Container, Sea-land Container, ISO Container, or Conex Box that is not designed for independent or "In-tow Trailer" highway use, and that was originally designed and constructed as a standardized, reusable storage and shipping vessel to be loaded on a truck, rail car or ship.

Cellar. "Cellar" means the portion of a building between floor and ceiling which is wholly or partially below grade and so located that vertical distance from grade to the floor below is equal to or greater than the vertical distance from grade to ceiling.

Certificated Water Rights. "Certificated water rights" means the right to put surface water or groundwater to beneficial use that is identified by a record document issued by the Nevada State Engineer after satisfactory proof of "perfection of application" for a permitted water right has been filed in accordance with NRS Chapter 533.

Child Care Institution. "Child care institution" means a facility which provides care and shelter during the day and night and provides developmental guidance to sixteen (16) or more children who do not routinely return to the homes of their parents or guardians. Such an institution may also provide, without limitation:

- (a) Education to the children according to a curriculum approved by the Department of Education;
- (b) Services to children who have been diagnosed as severely emotionally disturbed as defined in NRS 433B.080, including, without limitation, services relating to mental health and education; or
- (c) Emergency shelter to children who have been placed in protective custody pursuant to Chapter 432B of NRS.

Climatic Adaptive Planting Material. "Climatic adaptive planting material" means vegetation which is adapted to the climate or microclimate of the planting site and can flourish given the soil and water environment surrounding its roots. Microclimates, large bodies of water, soil drainage, soil pH, adequate moisture, the presence of soil salts, and both summer and winter wind affect a plant's ability to grow and survive.

Cluster or Clustered Development. See "Common Open Space Development."

Collector. "Collector" means the highest order of residential streets.

Commercial Coach. "Commercial coach" means structure without motive power which is designed and equipped for human occupancy for industrial, professional or commercial purposes.

Commercial Vehicle. "Commercial vehicle" means any vehicle designed, maintained or used for business, commercial, construction or industrial purposes that infringes on the residential character of residential districts; or for the transportation of property in furtherance of commercial enterprise; or having more than two (2) axles on the road; or, any vehicle in excess of eight thousand (8,000) pounds unladen weight. Commercial vehicles includes, but is not limited to: a cement truck, commercial tree-trimming equipment, construction equipment, dump truck, garbage truck, panel truck, semi-tractor, semi-trailer, stake bed truck, step delivery van, tank truck, tar truck, and other vehicles customarily used for commercial purposes.

Commission. "Commission" means the Washoe County Planning Commission.

Common Interest Community. "Common interest community" means real estate in which a person, by virtue of ownership of a unit, is obligated to pay for real estate other than that unit. "Ownership of a unit" does not include holding a leasehold interest of less than twenty (20) years in a unit, including options to renew.



Common Open Space Development. "Common open space development" means a technique whereby minimum lot sizes may be reduced below the regulatory zone requirements for residential and commercial use types, if compensating amounts of open space are provided within the same development (also called "cluster development"). This type of development allows for structures to be grouped on smaller lots, provided the total density for the development is not exceeded.

Company Town. "Company town" means employee housing and supporting commercial, office, recreational, professional, administrative and other ancillary uses associated with the functioning of an isolated industrial, mining, energy production, utilities, resorts or agricultural based use. This development may occur on a single parcel or multiple parcels.

Consistency. "Consistency" means free from variation or contradiction.

Constraints. "Constraints" mean limitations or actions which cannot be taken or which must be taken.

Construct. "Construct" includes "erect," "reconstruct," "alter," "move in" and "move upon."

Contiguous Parcel of Land. "Contiguous parcel of land" means a parcel of land either abutting directly on the boundary or separated by a street, alley, public right-of-way, creek, river or the right-of-way of a railroad or other public service corporation of another parcel of land.

Continuum of Care Unit – A unit that is within a continuum of care facility that includes living and sleeping facilities as defined by the Development Code, the International Building Code, and/or the National Manufactured Home and Safety Standards Act.

Corner Lot. See "Lot, Corner."

Cost. "Cost" means the price paid or what is given up in order to acquire, produce, accomplish or maintain anything.

County. "County" refers to the unincorporated area of Washoe County, Nevada.

County Standards. "County standards" means improvement standards set forth in this Development Code or adopted by the Board of County Commissioners.

Cross-Section. "Cross-section" is a drawing or photograph showing a cutting through something, especially at right angles to its axis. A cross section of a roadway usually indicates the width of the street, the number of lanes, and the width of any median, parkways, sidewalks and bicycle lanes.

Cumulative Impact. "Cumulative impact" means an effect which is a result of several related projects. Each increment from each project may not be noticeable but cumulative impacts may be noticeable when all increments are considered.

Cut. "Cut" means shaping of the land surface by removing soil, rock or other materials.

Decibel. "Decibel" means a unit for describing the amplitude of sound, equal to twenty (20) times the logarithm to the base ten (10) of the ratio of the pressure of the sound measured to the reference pressure, which is twenty (20) micropascals (20 micronewtons per square meter).

Density or Residential Density. "Density" or "residential density" means the number of dwelling units per gross acre for residential uses as defined in Article 304, Use Classification System.

Density Bonus. "Density bonus" means an increase in residential density over and above the density specified in the Development Code. A "density bonus unit" is one of the additional housing units built as a result of granting a density bonus.

Destination Resort. "Destination resort" is a self-contained development that provides for visitor-oriented accommodations and developed recreational facilities in a setting with high natural amenities. Visitor-oriented accommodations are overnight lodging and facilities designed for visitors, not permanent residents, and overnight lodging excludes RV and mobile home parks. Visitor accommodations must include meeting rooms and restaurants.

Detached Accessory Dwelling Unit. "Detached accessory dwelling unit" means a dwelling unit on the same lot as the main dwelling unit, but which is physically separated from the main dwelling unit. A detached accessory dwelling unit is designed and configured to provide independent living facilities for one or more persons, and includes, at a minimum, permanent kitchen and bathroom (i.e. toilet) facilities, but which may also include living, sleeping, and eating facilities. Except in the Medium Density Suburban (MDS) Regulatory Zone, a detached accessory dwelling unit shall not exceed fifteen hundred (1,500) square feet or fifty (50) percent of the total square footage of the main unit, whichever is smaller. In the Medium Density Suburban (MDS) Regulatory Zone, the detached accessory dwelling unit shall not exceed eight hundred (800) square feet or fifty (50) percent of the total square footage of the main dwelling unit, whichever is smaller. The square footage of garages, crawl spaces, cellars, attics, or basements not designed for human occupancy shall not be included when calculating the total square footage of the main dwelling unit, unless such areas have been legally converted into habitable space. Detached accessory dwelling unit are also commonly referred to as guest houses, second units, detached "granny flats" and caretaker's quarters.

Detached Accessory Structure. Except as provided for under Section 110.306.15, "detached accessory structure" means a building or structure on the same lot as the main residential structure and devoted to a use incidental to that main residential structure. A detached accessory structure is not designed, configured, or used for human habitation. The detached accessory structure may be connected to water and wastewater systems subject to the recordation of a deed restriction prohibiting the use of the structure as a dwelling unit. Installation of both a kitchen and a toilet in a detached accessory structure shall render the structure as a dwelling unit and subject to the accessory dwelling unit provisions contained in Article 306, Accessory Uses and Structures. Typical uses include storage buildings, sheds, barns, and detached garages.

Development. "Development" means any man-made change to improved or unimproved real estate including the construction of buildings or other structures, mining, dredging, filling, grading, paving, excavation, drilling operations or storage of equipment or materials.

Development Agreement. "Development agreement" means an agreement entered into by Washoe County and any person having a legal or equitable interest in land concerning the development of that land, pursuant to NRS Chapter 278.

Development Code. "Development Code" refers to Chapter 110 of the Washoe County Code which incorporates all County development-related ordinances and standards to ensure conformity with the Master Plan.

Division into Large Parcels. "Division into large parcels" means division of land if each proposed lot is at least forty (40) acres in area including roads and easements or at least one-sixteenth (1/16) of a section as described by a government land office.

Dog Training Center. "Dog training center" means a facility where dogs are boarded and trained for a long-term period of time.

Dog Training Services. "Dog training services" means the training of dogs with their owners or owners' designee, where both owner and dog participate in dog training.

Domestic Water. "Domestic water" means water supplied to individual dwellings and other land uses which is suitable for drinking.

Dormitory/Bunkhouse. "Dormitory/bunkhouse" means a building or a portion of a building where, for compensation or a benefit of employment, meals and lodging are provided.

Drainage, Natural. "Natural drainage" means any channel, swale or depression which conducts water as part of the natural drainage pattern of a site.

Driveway, Residential. "Residential driveway" means a private paved or unpaved area used for ingress or egress of vehicles, and allowing access extending from a property line to a building or other structure or facility on the subject parcel.

Dwelling. "Dwelling" means any building or portion thereof used exclusively for residential purposes but does not include hotels, clubs, boardinghouses or rooming houses, fraternity or sorority houses, continuum of care facilities, or institutions.

Dwelling Unit. "Dwelling unit" means any building or portion thereof, including a fabricated home or portion thereof, which contains at a minimum permanent kitchen and bathroom (i.e. a toilet) facilities for residential use types as defined in defined in Article 304, Use Classification System, but which may also include living, sleeping, and eating facilities as required by the Development Code, the International Building Code, and/or the National Manufactured Home and Safety Standards Act.

Electronic Notice. "Electronic notice" means any notice required by law that is transmitted via electronic means and which provides a method of verifying receipt to the sender that the receiver has received the notice. Electronic includes, but is not limited to, e-mail, facsimile transmission that identify the receiver and have a time and date stamp.

Endangered Species. "Endangered species" means any species listed as such in the Federal Register which is in danger of extinction throughout all or a significant portion of its range.

Engineer. "Engineer" means a Nevada registered engineer pursuant to NRS Chapter 625.

Ephemeral Stream. "Ephemeral stream" means a stream that flows only in direct response to precipitation, and thus discontinues its flow during dry seasons. Such flow is usually of short duration. Most of the dry washes of more arid regions may be classified as ephemeral streams.

Erosion. "Erosion" means the detachment and movement of soil from the land surface by wind, water or gravity.

Fabricated Home. "Fabricated home" means a dwelling unit fabricated in an off-site manufacturing facility for installation or assembly at the building site. Fabricated homes include modular homes, manufactured homes and mobile homes. The term "fabricated home" does not include a "recreational vehicle."

Facility for Transitional Living for Released Offenders. "Facility for transitional living for released offenders" means a residence that provides housing and a living environment for persons who have been released from prison and who require assistance with reintegration into the community, other than such a residence that is operated or maintained by a state or local government or an agency thereof. The term does not include a halfway house for recovering alcohol and drug abusers or a

facility for the treatment of abuse of alcohol or drugs. As used in this section, person who has been released from prison means:

- (a) A parolee.
- (b) A person who is participating in:
  - (1) A judicial program pursuant to NRS 209.4886 or 213.625; or
  - (2) A correctional program pursuant to NRS 209.4888 or 213.371.
- (c) A person who is supervised by the Division of Parole and Probation of the Department of Public Safety through residential confinement.
- (d) A person who has been released from prison by expiration of his or her term of sentence.

Family. "Family" means one (1) or more persons related by blood, marriage or legal adoption, or a group of six (6) or fewer unrelated persons and two additional persons who act as house parents or guardians, living together in a dwelling unit.

Fence. "Fence" means a wall or barrier constructed of boards, masonry, wire or any other material for the purpose of enclosing space or separating parcels of land. The term "fence" does not include retaining walls, but does include fence gates and gateposts.

Fill. "Fill" means shaping of the land surface by depositing soil, rock or other materials.

Final Map. "Final map" means the map or recording instrument for subdivisions of land as described in Article 610. A final map may also be used to record an approved parcel map at the option of either the subdivider or the County.

Fire Management. "Fire management" means activities required for the protection of resources and values from fire, or the use of fire to meet land management goals and objectives.

Flood or Flooding. "Flood" or "flooding" means a general and temporary condition of partial or complete inundation of normally dry land areas from the overflow of inland waters; or the unusual and rapid accumulation of runoff of surface waters from any source.

Flood, One Hundred (100) Year. "One hundred (100) year flood" also called the "base flood" means a flood having a one (1) percent chance of being equaled or exceeded in any given year. The boundaries of the one hundred (100) year flood include both the floodway and the flood fringe areas as shown on the Federal Emergency Management Agency (FEMA) Flood Insurance Rate Maps.

Flood Boundary and Floodway Maps (Floodway). "Flood Boundary and Floodway Maps" means the official maps on which the Federal Insurance Administration has delineated both the areas of flood hazard and the floodway.

Flood Elevation. "Flood elevation" means the elevation of the water surface of the base flood based on the National Geodetic Vertical Datum (NGVD) of 1929.

Flood Elevation, Increase In. "Increase in flood elevation" means an increase in flood elevation of more than one (1) foot at any point.

Flood Fringe. "Flood fringe" means the area of the one hundred (100) year flood, exclusive of the floodway, as shown on the Flood Insurance Rate Maps, and any area determined by the Floodplain Administrator to have a one (1) percent or greater probability of flood in a given year.

Flood Hazard Areas. "Flood hazard areas" means the area designated by the Federal Emergency Management Agency as being flooded by the base flood, and is designated as "Zone A, AO, AH, AE and A99" on the Flood Insurance Rate Maps.

Flood Height. "Flood height" means the depth of the floodwater during the one hundred (100) year flood, computed as the difference between the elevation of the one hundred (100) year floodwater surface and the elevation ground surface at a given point in the flooded area.

Flood Insurance Rate Maps (FIRM). "Flood Insurance Rate Maps" means the official maps on which the Federal Insurance Administration has delineated the flood hazard area, the limited flooding area and the risk premium zones applicable to the community.

Flood Insurance Study (FIS). "Flood Insurance Study" means the official report provided by the Federal Emergency Management Agency that includes flood profiles, the Flood Insurance Rate Maps, the Flood Boundary and Floodway Maps, and the water surface elevation of the base flood.

Floodplain. "Floodplain" means any land area susceptible to being inundated by water from any source.

Floodplain Administrator. "Floodplain Administrator" means the person appointed to administer and implement the provisions of Article 416 of this Development Code.

Floodplain Management. "Floodplain management" means the operation of an overall program of corrective and preventive measures for reducing flood damage.

Floodproofing. "Floodproofing" means any combination of structural and nonstructural additions, changes or adjustments to structures which reduce or eliminate flood damage to real estate or improved property, water and sanitary facilities, structures and their contents.

Floodway. "Floodway" means the channel of a river or other watercourse and the adjacent land areas that must be reserved in order to discharge the base flood without cumulatively increasing the water surface elevation more than one (1) foot. The floodway is delineated on the Flood Boundary and Floodway Maps.

Floor Area Ratio (FAR). "Floor area ratio" means the ratio of floor area permitted on a lot to the size of the lot. For example, a permitted FAR of 6.0 on a 10,000 square foot lot would allow a building with a total floor area of 60,000 square feet.

Front Line. "Front line" means the narrowest lot dimension fronting on a street.

Front Yards. See "Yard, Front."

Fuel Management. "Fuel management" means treating or controlling any vegetative material which adversely affects meeting fire management direction based upon resource management goals and objectives.

Fuelbreak. "Fuelbreak" means a strip of land, strategically placed for fighting anticipated fires, where hazardous fuels have been replaced with less burnable fuels (like grass). They divide fire-prone areas into smaller parcels for easier fire control and provide access for fire fighting.

Fuels. "Fuels" mean any material capable of sustaining or carrying a wildfire, usually natural material both live and dead.

Gaming. "Gaming" means any legally constituted gambling enterprise authorized under the laws of the State of Nevada other than slot machines when such machines are operated incidentally to the conduct of a licensed retail business.

Geothermal Resource. "Geothermal resource" means the natural heat of the earth and the energy associated with the natural heat, pressure and all dissolved or entrained minerals, but excluding hydrocarbons and helium, that may be obtained from the medium used to transfer that heat.

Governing Body. "Governing body" refers to the Washoe County Board of County Commissioners, unless otherwise clearly indicated.

Government Patent Easement. "Government patent easement" means an easement granted through a patent by the federal government for a public purpose, generally for public access and utility purposes.

Grade. "Grade" is the lowest point of elevation of the finished surface of the ground, paving or sidewalk within the area between the building and the property line or, when the property line is more than 5 feet from the building, between the building and a line 5 feet from the building.

Gradient. "Gradient" is the slope of a lot measured as the difference in elevation of finished grade between the midpoint of the front property line and the farthest opposite point of the lot depth.

Grading. "Grading" means removal of trees and shrubs with surface soil grading for smoothness.

Greenbelt. "Greenbelt" means an area where measures such as fuel management, land use planning and development standards are applied to mitigate fire, flood and erosion hazard. More traditionally, an irrigated landscaped buffer zone between development and wildlands, usually put to additional uses (e.g. golf course, park, etc.).

Gross Density. "Gross density" is the ratio of the total number of units to the total site area.

Ground Cover. "Ground cover" means low, dense-growing plants such as shrubs or vines, or inert materials such as rock or bark used to cover bare ground.

Ground Water Recharge. "Ground water recharge" means the infiltration of water into the earth. It may increase the total amount of water stored underground or only replenish the groundwater supply depleted through pumping or natural discharge. The natural or intentional infiltration of surface water into the Zone of Saturation (i.e. into the Ground Water). Also, the inflow of water to a ground water reservoir (Zone of Saturation) from the surface. Infiltration of precipitation and its movement to the water table is one form of natural recharge.

Group Foster Home. "Group foster home" means a natural person, partnership, firm, corporation or association who provides full-time care for seven (7) to fifteen (15) children who are:

- (a) Under eighteen (18) years of age;
- (b) Not related within the first degree of consanguinity or affinity to any natural person maintaining or operating the home; and received, cared for, and
- (c) Maintained for compensation or otherwise, including the provision of permanent free care.

Halfway House for Recovering Alcohol and Drug Abusers. "Halfway house for recovering alcohol and drug abusers" means a residence that provides housing and a living environment for recovering alcohol and drug abusers and is operated to facilitate their reintegration into the community, but does not provide any treatment for alcohol or drug abuse. The term does not include a facility for transitional living for released offenders.

Hallway. "Hallway" means a completely enclosed corridor, passageway, or other similar enclosed space that connects two (2) separate rooms, or ingress and egress points, and which is not intended nor designed as habitable space. A hallway shall not be used to connect two (2) separate dwelling units.

Hedge. "Hedge" means a dense row of plant material, such as shrubs, which are arranged to form a boundary or screen.

Highest Existing Grade. "Highest existing grade" means the highest natural elevation of the ground surface prior to construction next to the proposed walls of a structure.

Hillside Development. "Hillside development" means any development including individual lots which has slopes greater than fifteen (15) percent on twenty (20) percent or more of the site.

Historic Structure. "Historic structure" means any structure that is:

- (a) Listed individually in the National Register of Historic Places (a listing maintained by the Department of the Interior) or preliminarily determined by the Secretary of the Interior as meeting the requirements for individual listing on the National Register;
- (b) Certified or preliminarily determined by the Secretary of the Interior as contributing to the historic significance of a registered historic district or a district preliminarily determined by the Secretary of the Interior to qualify as a registered historic district;
- (c) Individually listed on a state inventory of historic places in states with historic preservation programs which have been approved by the Secretary of the Interior; or
- (d) Individually listed on a local inventory of historic places in communities with historic preservation programs that have been certified either:
  - (1) By an approved state program as determined by the Secretary of the Interior; or
  - (2) Directly by the Secretary of the Interior in states without approved programs.

Home for Individual Residential Care. "Home for individual residential care" means a home in which a natural person furnishes food, shelter, assistance and limited supervision, for compensation, to not more than two (2) persons with mental retardation or with disabilities or who are aged or infirm, unless the persons receiving those services are related within the third degree of consanguinity or affinity to the person providing those services. The term does not include:

- (a) A halfway house for recovering alcohol and drug abusers; or

- (b) A home in which supported living arrangement services are provided to assist individuals in maximizing his independence, including without limitation training and habitation services.

Hoop House/High Tunnel. "Hoop House" or "High Tunnel" means an enclosure that is used to cover and protect crops from sun, wind, excessive rainfall, or cold, to extend the growing season in an environmentally safe manner and having a life span of approximately 5 years. The coverings for these enclosures utilize flexible, not rigid materials.

Hotel. "Hotel" means a building occupied or intended to be occupied, for compensation, as the temporary residence for transient guests, primarily persons who have residence elsewhere, with an interior hall and lobby.

House Construction Factory. "House construction factory" means a building used for the construction of a single or multiple family dwelling, or the assembly of prefabricated single or multiple family dwelling components, or a combination of the above-described procedures, which results in a completed single or multiple family dwelling that can be transported to a lot for which service has been provided and which has been improved to accommodate the installation of the dwelling.

Household. "Household" means the person or persons occupying a housing unit.

Impervious Surface. "Impervious surface" means the surface through which water cannot penetrate, such as a roof, road, sidewalk or paved parking area.

Incorporated City. "Incorporated city" means a city incorporated under the laws of the State of Nevada.

Infrastructure. "Infrastructure" means the basic facilities such as roads, schools, power plants, transmission lines, transportation and communication systems on which the continuance and growth of a community depends.

Inoperable Vehicle. "Inoperable vehicle" means a vehicle, as defined by NRS 482.135, which:

- (a) Does not display current license plates (from any state) registered to the vehicle; and,
- (b) Is visibly damaged, wrecked, dismantled, in serious disrepair, deteriorating (rusting, rotting) or missing major components, or is being salvaged, parted out, prepared for crushing, shredding or scrapping; and,
- (c) Is not awaiting disposition instructions as a result of a collision.

Interior Lot. See " Lot, Interior."

Junkyard. "Junkyard" means any space for storage, abandonment or sale of junk, scrap material or similar waste, including the dismantling, demolition or abandonment of automobiles, other vehicles, machinery or parts. Junkyard shall be synonymous with salvage yard.

Kitchen. "Kitchen" means a room or space within a room equipped with such electrical or gas hook up that would enable the installation of a range, oven, or like appliance using 220/40 volts or natural gas (or similar fuels, such as propane) for the preparation of food, and also containing either or both a refrigerator and sink for the washing and/or disposal of food.



Landscaped Buffer. "Landscaped buffer" means an area of landscaping which separates two (2) distinct land uses, or a land use and a public right-of-way, and which acts to soften or mitigate the effects of one (1) land use on the other.

Landscaping. "Landscaping" means an area devoted to and maintained with a mixture of existing or new native or exotic plants such as turf, groundcover, shrubs, flowers, vines and trees, as well as additional complementary decorative features such as rocks, decorative pavement, fountains, pools, sculpture and decorative wall.

Ldn. "Ldn" means the average equivalent A-weighted sound level during a 24-hour day obtained by adding ten decibels to the hourly noise levels measured during the night (10:00 p.m. to 7:00 a.m.). In this way, Ldn takes into account the lower tolerance of people for noise during nighttime periods. Ldn noise level measurements are typically plotted onto a map to identify noise contours around a significant noise generator (e.g. freeways, airports, etc.).

Limited Gaming. "Limited gaming" means gaming enterprises authorized by the State Gaming Control Board whereby any person or gaming establishment may be issued a limited gaming license or have such conditions placed on a gaming license as necessary to protect the public interest.

Livestock. "Livestock" means:

- (a) All cattle or animals of the bovine species;
- (b) All horses, mules, burros and asses or animals of the equine species;
- (c) All goats or animals of the caprine species;
- (d) All swine or animals of the porcine species; and
- (e) All sheep or animals of the ovine species.

Loading Space. "Loading space" means an off-street space or berth on the same lot with a building or contiguous to a group of buildings for the temporary parking of vehicles while handling merchandise or materials.

Lot. "Lot" means a distinct part or parcel of land divided with the intent to transfer ownership or for building purposes, which abuts upon a permanent means of access and is assigned a single parcel number by the Washoe County Assessor's Office.

Lot, Corner. "Corner lot" means a lot situated at the intersection of two (2) or more streets or a lot that abuts one (1) street that changes directions, curves or turns around the lot with an interior angle of 135 degrees or less.

Lot, Interior. "Interior lot" means either (a) a lot bounded by a street on only one (1) side; or, (b) a lot situated at the intersection of (2) streets having an interior angle of one hundred thirty-five (135) degrees or more; or, (c) a lot that has continuous street frontage on only one (1) street and when the curvature of the lot along the street frontage exceeds one hundred thirty-five (135) degrees or more.

Lot, Through. "Through lot" means a lot bounded by two (2) streets that do not intersect at the boundaries of the lot.

Lot Coverage. "Lot coverage" is a measure of intensity of land use which represents the portion of a site that is impervious (i.e. does not absorb water). This portion includes, but is not limited to, all areas covered by buildings, parking structures, driveways, roads, sidewalks, and any areas of concrete asphalt. In the case of lumberyards, areas where lumber is stored also constitutes impervious surfaces.

Lot Depth. "Lot depth" is the distance between the front and rear lot lines measured in the mean direction of the side lines.

Lot Size. "Lot size" is the total square footage of a lot.

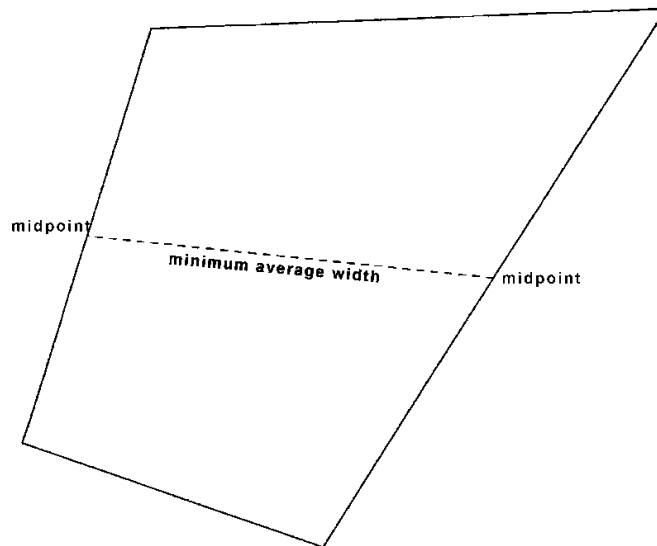
Lot Width. "Lot width" may be determined in one of the following three ways:

- (a) The distance between the side lot lines measured at right angles to the lot depth at a point midway between the front and rear line (see Figure 110.902.15LW1);

Figure 110.902.15.LW1

**DISTANCE BETWEEN SIDE LOT LINES**

---



---

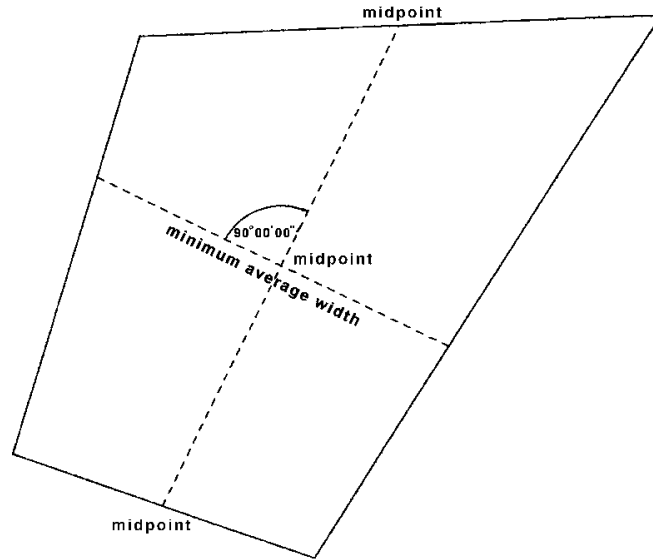
Source: George Lindesmith, PLS.

- (b) The distance between the midpoints of the side lot lines (see Figure 110.902.15LW2); or

Figure 110.902.15.LW2

**DISTANCE BETWEEN MIDPOINTS**

---



---

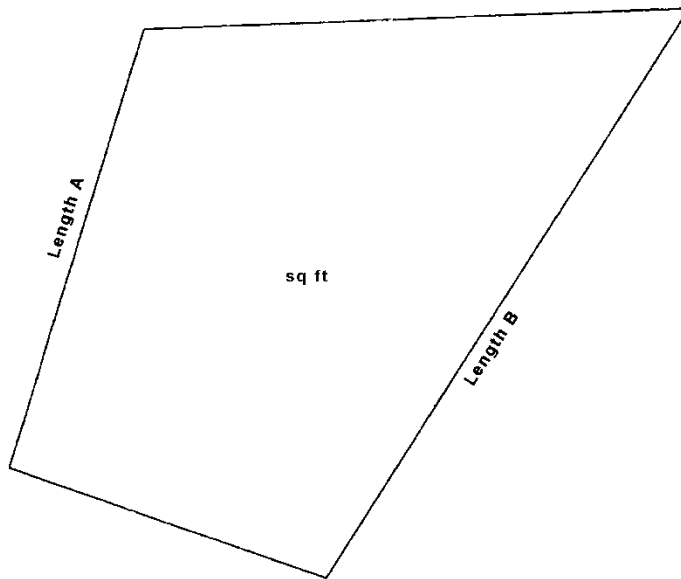
Source: George Lindesmith, PLS.

(c) Area/Average Depth = Average Width (see Figure 110.902.15LW3).

Figure 110.902.15.LW3

**AREA/AVERAGE WIDTH**

---



$$\text{Area/Average Depth} = \text{Average Width}$$
$$\text{Area Sq Ft} / \frac{\text{Length A} + \text{Length B}}{2} = \text{Average Width}$$

---

Source: George Lindesmith, PLS.

Lowest Floor. "Lowest floor" means the lowest floor of the lowest enclosed area (including basement). An unfinished or flood resistant enclosure, usable solely for parking of vehicles, building access or storage, in an area other than a basement area is not considered a building's

lowest floor, provided that such enclosure is not built so as to render the structure in violation of the applicable non-elevation design requirements.

Main Building. "Main building" means a building devoted to the principal use of the lot on which it is situated.

Major Subdivision. "Major subdivision" means a subdivision which contains five (5) or more lots, parcels, sites, units, plots or interests.

Manufactured Home. "Manufactured home" is a dwelling unit fabricated in an off-site manufacturing facility for installation or assembly at the building site, bearing the label certifying that it is built in compliance with the Federal Manufactured Housing Construction and Safety Standards in effect on the date of manufacture. A manufactured home is further defined by Nevada Revised Statute (NRS 489.113). A manufactured home is not a mobile home, nor a modular home.

Manufactured Home Park Site. "Manufactured home park site" is the entire tract of land used for a manufactured home park.

Manufactured Home Space. "Manufactured home space" is the area in a manufactured home park that is rented or leased to the occupant or occupants of a manufactured home.

Manufactured Home Subdivision. "Manufactured home subdivision" is a subdivision designed and/or intended for the sale of lots for siting manufactured homes.

Master Plan. "Master Plan" means the Washoe County Master Plan including both countywide elements and area plans, and a number of more detailed plans and studies related to the plans.

Median Income or County Median Income. "Median income" or "County median income" means the level of income in Washoe County whereby one-half (1/2) of the population earns greater than that level of income and one-half (1/2) of the population earns less than that level of income. Median income is determined on a yearly basis by the Department of Housing and Urban Development.

Military Installation. "Military installation" means a base or facility at which or from which the Air Force, Army, Coast Guard, Marine Corps, Navy, Air Force Reserve, Army Reserve, Coast Guard Reserve, Marine Corps Reserve, Navy Reserve or National Guard conducts exercises, maneuvers, operations, patrols or training.

Minor Subdivision. "Minor subdivision" means a subdivision which contains four (4) or less lots, parcels, sites, units, plots or interests.

Minute Action. "Minute action" means an official final decision made by the Board of County Commissioners, as recorded in the County Clerk's minutes.

Mobile Home. "Mobile home" is a transportable, fabricated home, designed to be used as a year-round residential dwelling and built prior to enactment of the Federal Manufactured Housing Construction and Safety Standards Act of 1974, which became effective June 15, 1976. A mobile home, further defined by Nevada Revised Statute (NRS 489.120), does not bear an insignia of approval that the dwelling unit was built in compliance with NRS Chapter 461. A mobile home is not a manufactured home, nor a modular home.

Mobile Home Park. "Mobile home park" means a tract of land under single ownership within which two (2) or more manufactured homes are occupied as residences on a permanent or semi-

permanent basis. The homes are located on spaces that are rented or leased. Special facilities for the common use of the occupants may be included.

Mobile Home Park Site. "Mobile home park site" is the entire tract of land used for a mobile home park.

Modular Home. "Modular home" is a dwelling unit fabricated in an off-site manufacturing facility for installation or assembly at the building site, bearing a label certifying that it is built in compliance with local International Building Code standards and further meets all requirements of County Code Chapter 100. Modular homes shall be subject to the same permit process as site-built homes. A modular home is not a manufactured home, but includes what is commonly referred to as a panelized home.

Motel. "Motel" means a building occupied or intended to be occupied, for compensation, as the temporary residence for transient guests, primarily persons who have residence elsewhere, with access to each room or unit from an outside porch or landing (whether or not such outside porch or landing is enclosed with screen, glass, plastic or similar material).

Mulch. "Mulch" means an organic or inorganic material applied to landscaped areas to help minimize evaporation from the soil, reduce weeds, moderate soil temperatures and slow erosion.

National Register of Historic Places. "National Register of Historic Places" means the listing maintained by the U.S. National Park Service of areas which have been designated as historically significant. The Register includes places of local and state significance, as well as those of value to the nation in general.

Natural Area. "Natural area" means a land area which is unimproved and not occupied by any structures or man-made elements, and set aside for the conservation of permanent, undisturbed open space.

Net Density. "Net density" is the ratio of the total number of units to the site area minus the area of the streets, parking areas and undevelopable land.

Nevada Natural Heritage Site. "Nevada Natural Heritage Site" means areas of land or water which either:

- (a) Have unusual flora, fauna, geological, scenic or similar features of scientific, educational or recreational interest; or
- (b) Retain some degree, or have re-established, a natural character (although it need not be completely undisturbed).

Non-municipal Air Strips and Glider Ports. "Non-municipal air strips and glider ports" means any Federal Aviation Administration (FAA) recognized public use landing area, privately owned and operated for scheduled or non-scheduled air transportation activities, where commercial uses and aviation related commerce can occur. Such use may include provision of landing privileges, hangar and tie-down lease/rental spaces, fuel and lubrication service, flight instruction, plane rental, mechanical repairs, or any other form of aviation commerce. Uses can also include scenic and sightseeing transportation service including helicopter rides, glider plane rides, air balloon rides, ultra-light and experimental aircraft activities and aircraft charters. The term "non-municipal air strips and glider ports" does not apply to public airports operated by any federal, state or local government agencies. The term also does not apply to a personal landing field that is used for fixed-wing aircraft or helicopter landing operations that are incidental and ancillary to established

allowable uses including, but not limited to, agricultural, ranching or mining activities, as long as no aviation related commerce is conducted at the personal landing fields.

NRS. "NRS" means Nevada Revised Statutes.

Open Space, Common. "Common open space" means the total land area, not individually owned or dedicated for public use, which is designed and intended for the common use or enjoyment of the residents or occupants of the development. Common open space includes swimming pools, putting greens and other recreational-leisure facilities; areas of scenic or natural beauty and habitat areas; hiking, riding or off-street bicycle trails; and landscaped areas adjacent to roads which are in excess of minimum required rights-of-way.

Open Space, Private. "Private open space" means the outdoor living area directly adjoining a dwelling unit or building which is intended for the private enjoyment of the residents or occupants of the dwelling unit or building and which is defined in such a manner that its boundaries are evident.

Open Space Use. "Open space use" means the current employment of land, the preservation of which use would conserve and enhance natural or scenic resources, protect streams and water supplies or preserve sites designated as historic pursuant to law, provided such land has a greater value for another use than for open space use.

Outdoor Storage. "Outdoor Storage" means the outside placement of items and materials that are incidental to the existing principal use of the property, except as provided for under Section 110.306.35(d), for a period of more than seventy-two (72) consecutive hours. Outdoor storage is further defined and regulated in the Washoe County Nuisance Code (WCC Sections 50.300 to 50.310, inclusive).

Parcel Map. "Parcel map" means a map for a minor subdivision.

Parcel of Land. "Parcel of land" means any unit or contiguous units of land assigned a single parcel number by the Washoe County Assessor's Office.

Parking Area. "Parking area" means an open area, excluding a street or other public right-of-way, used for the parking of vehicles and available to the public, whether for free or for compensation.

Permanent Employee Housing. "Permanent employee housing" means housing for employees of an isolated industrial, mining, railroad, highway, utilities or agricultural based use where those employees occupy the housing on a permanent basis year round. This development may occur on a single parcel or multiple parcels.

Permitted Water Rights. "Permitted water rights" means the right, in accordance with NRS Chapter 533 and as approved by the Nevada State Engineer, to appropriate public waters, or to change the place of diversion, manner of use or place of use of water already appropriated.

Perennial Stream. "Perennial stream" means a stream that flows from source to mouth throughout the year. This definition does not apply to a man-made watercourse constructed for irrigation, aesthetic or other purposes.

Person. "Person" means a firm, association, corporation, partnership or an individual.

Personal Landing Field. "Personal landing field" means a private use aviation landing area that is used for fixed-wing aircraft or helicopter landing operations that are incidental and ancillary to established allowable land uses including, but not limited to, agricultural, ranching or mining activities, as long as no aviation related commerce is conducted at the personal landing fields.

Personal landing fields do not engage in scheduled or non-scheduled air transportation activities, or in any scenic and sightseeing transportation service, or any other form of aviation commerce. The term "personal landing field" does not apply to "non-municipal air strips and glider ports," or to public airports operated by any federal, state or local government agencies.

Placement. "Placement" means the issuance of a set-up permit by the Building and Safety Department for a manufactured home or mobile home.

Planting Area. "Planting area" means an area devoted to or maintained predominantly with native or exotic plants including turf, groundcover, shrubs, flowers, vines and trees with a limited portion of complementary decorative features.

Plumbing Fixture. A "plumbing fixture" is a receptacle, device, or appliance that is supplied with water or which receives liquid or liquid-borne wastes, and which discharges into a drainage system to which it may be directly or indirectly connected.

Police Powers. "Police powers" means powers reserved to the states by the U.S. Constitution and delegated to cities and counties through the Nevada Constitution and the Nevada Revised Statutes; it is the authority to create and enforce ordinances and regulations that are not in conflict with general laws in order to promote the health, safety and general welfare of the public.

Print. "Print" means and includes a blueprint, photostat, direct process print or other copy which reproduces exactly the original drawing from which it was made.

Private Communication Antenna. "Private communication antenna" means any system of wires or poles or similar devices, excluding satellite dish antennas, used for the transmission or reception of electromagnetic waves by federally licensed amateur radio or citizen band radio operators, which system is external to or attached to the exterior of any building.

Private Garage. "Private garage" means a space intended for or used by the private automobiles of families resident upon the lot.

Public Garage. "Public garage" means a building for the repair, storage or hire of motor vehicles.

Rear Line. "Rear line" means the lot line most directly opposite the front line. A parcel of land may have only one (1) rear line.

Rear Yard. See "Yard, Rear."

Recreational Vehicle. "Recreational vehicle" means a vehicular structure that is primarily designed as temporary living quarters for travel, recreation and camping uses. A recreational vehicle can be self-propelled, mounted on, or towed by a separate vehicle.

Recreational Vehicle Park. "Recreational vehicle park" means a tract of land for the transient use by two or more recreational vehicles.

Regional Plan. "Regional Plan" means the Truckee Meadows Regional Plan.

Required Area. "Required area" means the minimum area of a lot or parcel necessary to permit its use under the provisions of the Development Code. Required area refers to:

- (a) Any lot shown as part of a subdivision recorded as a final plat in the manner provided by law;

- (b) Any parcel of land separated as a lot prior to the adoption and effective date of the original Washoe County Land Use Ordinance or the adoption of additional regulatory zones; or
- (c) Any lot or parcel of land which has an area not less than that required in the respective regulatory zone.

Residential Facility for Groups. "Residential facility for groups" means an establishment that furnishes food, shelter, assistance and limited supervision to a person with mental retardation or with a disability or a person who is aged or infirm. The term includes, without limitation, an assisted living facility. The term does not include:

- (a) An establishment which provides care only during the day;
- (b) A natural person who provides care for no more than two (2) persons in his or her own home;
- (c) A natural person who provides care for one (1) or more persons related to him or her within the third degree of consanguinity or affinity;
- (d) A halfway house for recovering alcohol and drug abusers; or
- (e) A facility funded by a division or program of the Department of Health and Human Services.

Revegetation. "Revegetation" means stabilizing disturbed or graded soils after construction by replanting with indigenous or natural appearing plants.

Ridgeline. "Ridgeline" means the topmost line connecting the series of highest elevation points of a ridge, running center and parallel to the long axis of the ridge and from which all water drains down.

Ridgeline, Significant. "Significant ridgeline" means the topmost line connecting the series of highest elevation points of a ridge, as identified on the Development Suitability map for each planning area included in Volume Two: Area Plans of the Washoe County Master Plan.

Right-of-Way. "Right-of-way" is a strip of land occupied or intended to be occupied by a publicly dedicated street, including the pavement, sidewalks and parkways, crosswalk, railroad, electric transmission line, oil or gas pipeline, water main, sanitary or storm sewer main, shade streets or other special use.

Riparian. "Riparian" means related to or located on the bank of a natural water course.

Riparian Habitat. "Riparian habitat" means the land and plants bordering a watercourse or lake.

Room. "Room" is space in a structure for living, sleeping, eating or cooking. Bathrooms, toilet compartments, closets, halls, storage or utility space, and similar areas, are not considered habitable space and therefore, not a room.

Roominghouse. "Roominghouse" means a building or portion thereof (not a motel) where, for compensation, lodging is provided for more than three (3) guests.

Runoff. "Runoff" means that part of precipitation which flows over the land without filtering into the soil.



Rural Regulatory Zones. "Rural regulatory zones" means the Low Density Rural Regulatory Zone, Medium Density Rural Regulatory Zone, and High Density Rural Regulatory Zone.

Satellite Dish Antenna. "Satellite dish antenna" means a device incorporating a reflective surface that is solid, open mesh or bar configured and is in the shape of a shallow dish, cone, horn or cornucopia. Such device shall be used to transmit and/or receive radio or electromagnetic waves between terrestrially and/or orbitally based uses. This definition is meant to include, but not be limited to, what are commonly referred to as satellite earth stations, TVROs (television reception only satellite dish antennas), and satellite microwave antennas.

Scenic Corridor. "Scenic corridor" means a roadway with recognized high quality visual amenities that include background vistas of mountains, open country or city.

School. "School" means an institution of learning which offers instructions in the several branches of learning required to be taught in the public schools of the State of Nevada.

Screen. "Screen" means to provide physical separation and complete visual obscuration of one area from another on all sides and in all seasons. Such separation must be at least six (6) feet high and includes, but is not limited to, the combination or individual use of a fence, decorative wall, structure, earth berm or dense landscaping.

Section 404 (Clean Water Act). "Section 404 (Clean Water Act)" means that section of the Clean Water Act delineating restrictions on the dredging and filling (only) of Wetlands in the United States. While Section 404 Permits are issued by the U.S. Army Corps of Engineers (COE), Section 404 regulations are written by the U.S. Environmental Protection Agency (EPA).

Section 404 (Clean Water Act) Permit. "Section 404 (Clean Water Act) Permit" means the Wetland dredge and fill permit issued under regulations written to conform to Section 404 of the Clean Water Act. The permit is actually granted by the U.S. Army Corps of Engineers (COE).

Sedimentation. "Sedimentation" means the act or process of depositing sediment from suspension in water. All the processes whereby particles of rock material are accumulated to form sedimentary deposits. Sedimentation, as commonly used, involves not only aqueous but also glacial, aeolian, and organic agents. (Water Quality) Letting solids settle out of wastewater by gravity during treatment.

Service Standards. "Service standards" means a measurement of municipal services used to monitor or compare services provided by the County and other service providers.

Setback. "Setback" means the required distance between every structure and the lot line of the lot on which the structure(s) is located.

Shrubs. "Shrubs" means a self-supporting woody species of plants characterized by persistent stems and branches springing from the base.

Side Yard. See "Yard, Side."

Site-Built Home. "Site-built home" means a dwelling unit where the major components are fabricated and assembled at the building site or a dwelling unit constructed at a house construction factory located within Washoe County. Site-built homes shall comply with Washoe County building codes and other adopted local codes.

Slope. "Slope" means an inclined ground surface expressed as a ratio of horizontal distance to vertical distance.

Slaughter House, Agricultural. "Agricultural slaughter house" means a building used as an ancillary structure on a farm or ranch for the non-profit slaughtering of animals raised on-site and the processing and storage of animal products and waste that results from a slaughtering process.

Slaughter House, Commercial. "Commercial slaughter house" means a building used for the for-profit slaughtering of animals that are either raised on-site or transported to the building and the processing and storage of animal products and waste that results from a slaughtering process.

Solar Energy. "Solar energy" means energy derived from the sun's rays.

Specific Plan. "Specific plan" means a plan prepared for a portion of an area plan which prescribes uses and development standards for that portion.

Story. "Story" is that portion of a building included between the upper surface of any floor and the upper surface of the floor next above, except that the topmost story shall be that portion of a building included between the upper surface of the topmost floor and the ceiling or roof above. If the finished floor level directly above a usable or unused under-floor space is more than six (6) feet above grade as defined herein for more than fifty (50) percent of the total perimeter or is more than twelve (12) feet above grade as defined herein at any point, such usable or unused under-floor space shall be considered as a story.

Story, First. "First story" is the lowest story in a building which qualifies as a story, as defined herein, except that a floor level in a building having only one (1) floor level shall be classified as a first story, provided such floor level is not more than four (4) feet below grade, as defined herein, for more than fifty (50) percent of the total perimeter, or more than eight (8) feet below grade, as defined herein, at any point.

Stream. "Stream" means a general term for a body of flowing water; natural watercourse containing water at least part of the year. In hydrology, the term is generally applied to the water flowing in a natural channel as distinct from a canal. Some classifications of streams include, in relation to time:

- (a) Ephemeral Streams. Streams that flow only in direct response to precipitation and whose channel is at all times above the water table.
- (b) Intermittent or Seasonal Streams. Streams that flow only at certain times of the year when it receives water from springs, rainfall, or from surface sources such as melting snow.
- (c) Perennial Streams. Streams that flow continuously.

Streambanks. "Streambanks" mean the usual boundaries, not the flood boundaries, of a stream channel. Right and left banks are named facing downstream (in the direction of flow).

Street. "Street" means a public right-of-way or easement which affords a primary means of access to abutting property.

Structure. "Structure" means a walled and roofed building or manufactured home, including a gas or liquid storage tank that is primarily above ground. "Structure" does not include a tent, trailer or vehicle.

Subdivider. "Subdivider" means any person or persons, firm, corporation, partnership or association that causes land to be divided into a subdivision for himself or itself or for others. A consultant, engineer or surveyor who does not hold title to the land is not considered a subdivider.

Subdivision. "Subdivision" means any land, vacant or improved, which is divided or proposed to be divided vacant or improved, into two (2) or more lots, parcels, sites, units or plots for the purposes of any transfer, development or any proposed transfer or development unless exempted by one of the following provisions:

- (a) "Subdivision" does not apply to any division of land which creates lots, parcels, sites, units or plots of land each of which comprise forty (40) or more acres of land, or 1/16 of a section, including roads and roadway easements, which is subject to the provisions of Article 612.
- (b) Any joint tenancy or tenancy in common shall be deemed a single interest in land.
- (c) Unless a method of disposition is adopted for the purpose of evading this Development Code or would have the effect of evading this Development Code, the term "subdivision" does not apply to:
  - (1) Any division of land which is ordered by any court in this state or created by operation of law;
  - (2) A lien, mortgage, deed of trust or any other security instrument;
  - (3) A security or unit of interest in any investment trust regulated under the laws of this state or any other interest in an investment entity;
  - (4) Cemetery lots; or
  - (5) An interest in oil, gas, minerals or building materials which are not or hereafter severed from the surface ownership or real property.
- (d) "Subdivision" does not apply to creation of parcels of more than (10) acres for agricultural purposes if a street, road or highway opening, widening or easement of any kind is not involved.
- (e) For the purposes of the definition "subdivision," any interest in land created or established as joint tenancy or a tenancy in common shall be a single interest and not an interest in common, if, and only if, the use or development or the proposed use or development of such land would not be a subdivision as defined in this section if undertaken or proposed by a single entity, whether corporate or an individual. See "Major Subdivision" and "Minor Subdivision."

Substantial Improvement. "Substantial improvement" means any repair, reconstruction, additions or other improvement of a structure, the cost of which equals or exceeds fifty (50) percent of the market value of the structure either before the improvement or addition is started or, if the structure has been damaged, before the damage occurred, regardless of the actual repair work performed. For the purpose of this definition, "substantial improvement" is considered to occur when the first alteration of any wall, ceiling, floor or other structural part of the building commences, whether or not that alteration affects the external dimensions of the structure. "Substantial improvement" does not include:

- (a) Any project for improvement of a structure to comply with existing state or local health, sanitary or safety code specifications; or
- (b) Any alteration of a structure listed on the National Register of Historic Places or a State Inventory of Historic Places.

- (1) "Substantial improvement" is considered to occur when the first alteration of any wall, ceiling, floor or other structural part of the building commences, whether or not that alteration affects the external dimensions of the structure; and
- (2) "Substantial improvement" does not include improvement of a structure solely to comply with existing state or local health, sanitary or safety code specifications, or any alteration of a structure listed on the National Register of Historic Places or a State Inventory of Historic Places.

Suburban Regulatory Zones. "Suburban regulatory zones" means the Low Density Suburban Regulatory Zone, Medium Density Suburban Regulatory Zone, and High Density Suburban Regulatory Zone.

Surface Runoff. "Surface runoff" means water that results from precipitation which is not absorbed by the soil, evaporated into the atmosphere or entrapped by ground surface depressions and vegetation, and which flows over the ground surface to adjoining properties, storm drains or waterways.

Surveyor. "Surveyor" means a land surveyor registered pursuant to NRS Chapter 625.

Temporary Employee Housing. "Temporary employee housing" means housing for employees of an isolated industrial, mining, railroad, highway, utilities or agricultural based use where those employees occupy the housing on a seasonal basis not more than six (6) months per year. This development may occur on a single parcel or multiple parcels.

Tentative Parcel Map. "Tentative parcel map" means a map which is filed pursuant to Article 606, conforming to the standards and requirements set forth therein.

Tentative Subdivision Map. "Tentative subdivision map" means a preliminary map made to show lot lines, roads, buildings, rights-of-ways and other design factors of a proposed subdivision.

Terrace. "Terrace" means a relatively level step constructed in the face of a graded slope surface for drainage, maintenance and/or development purposes.

Threatened Species. "Threatened species" means any species which is likely to become an endangered species within the foreseeable future and which has been designated in the Federal Register as a threatened species.

Through Lot. See "Lot, Through."

Topography. "Topography" means configuration of a surface, including its relief and the position of natural and man-made features.

Topsoil. "Topsoil" means the upper part of the soil profile that is relatively rich in humus, known in agronomy as the "A-horizon."

Total Developed Land Area. "Total developed land area" means that portion of a property which is disturbed for development purposes including, but not limited to, areas covered by buildings, landscaping, impervious surfaces and other areas graded or excavated to support the development.

Trailer Coach. See "Mobile Home."

Travel Trailer. See "Recreational Vehicle."

Tree. "Tree" means a large, woody perennial plant with one main trunk or multiple trunks, and many branches.

Unladen Weight. "Unladen weight" means the weight of any vehicle without load, but fully equipped with accessories and appliances belonging to and used by such vehicle in the transportation of persons or property.

Uplighting. "Uplighting" means a source of light where the center of the light beam is at an angle greater than the horizontal.

Urban Regulatory Zones. "Urban regulatory zones" means the Low Density Urban Regulatory Zone, Medium Density Urban Regulatory Zone, and High Density Urban Regulatory Zone.

Use or Land Use. "Use" or "land use" means the primary or primary and secondary use(s) of land such as single family residential, multi-family residential, commercial, industrial, agriculture, etc. The description of a particular land use should convey the dominant character of a geographic area and, thereby, establish types of activities which are appropriate and compatible with primary use(s).

Used. "Used" includes "arranged," "designed" or "intended to be used."

Vegetation, Native. "Native vegetation" means plants that grow naturally in Washoe County, Nevada and have adapted to the climate, soil, location and rainfall patterns of their area.

Vegetation, Natural. "Natural vegetation" means plants which exist on a site before clearing or grading.

Viewshed. "Viewshed" means the surface area that can be seen from a specific viewpoint.

Vista. "Vista" means an area of high ground or projecting earth from which there is a dominant and unobstructed view of surrounding areas.

Watercourse. "Watercourse" means any natural or artificial watercourse, stream, river, creek, ditch, channel, canal, conduit, culvert, drain, gully, ravine, arroyo or wash in which water flows in a definite channel, bed or bank.

Waters of the State (Defined) (Nevada Revised Statutes 445A.415). "Waters of the State" means all waters situated wholly or partly within or bordering upon the State of Nevada, including, but not limited to:

- (a) All streams, lakes, ponds, impounding reservoirs, marshes, water courses, waterways, wells, springs, irrigation systems and drainage systems; and
- (b) All bodies or accumulations of water, surface and underground, natural or artificial.

Wetland. "Wetland" means an area that is periodically inundated or saturated by surface or groundwater on an annual or seasonal basis, that displays hydric soils, and that typically supports or is capable of supporting hydrophytic vegetation.

Wetlands (COE and EPA) (Regulatory). "Wetlands (COE and EPA)" means the U.S. Army Corps of Engineers (COE) and the U.S. Environmental Protection Agency (EPA) have adopted a regulatory definition for administering the Section 404 permit program of the Clean Water Act (CWA) as follows: [Wetlands are] those areas that are inundated or saturated by surface or

groundwater at a frequency and duration sufficient to support, and that under normal circumstances do support, a prevalence of vegetation typically adapted for life in saturated soil conditions. Wetlands generally include swamps, marshes, bogs and similar areas.

Wetlands (NRCS) (Technical). "Wetlands (NRCS)" mean the (U.S. Department of Agriculture) Natural Resources Conservation Service (NRCS) [formerly the Soil Conservation Service (SCS)] uses the following definition for identifying wetlands on agricultural land in assessing farmer eligibility for U.S. Department of Agriculture program benefits under the "Swampbuster" provision of the Food Security Act (FSA) of 1985. As amended in 1990, the FSA states that the term "wetland," except when such term is part of the term "converted wetland," means land that:

- (a) Has a predominance of hydric soils;
- (b) Is inundated or saturated by surface or ground water at a frequency and duration sufficient to support a prevalence of hydrophytic vegetation typically adapted for life in saturated soil conditions; and
- (c) Under normal circumstances does support a prevalence of such vegetation.

Will Serve Letter. "Will serve letter" means a letter from a utility purveyor assuring the provision of services for proposed development.

Yard. "Yard" means an open space on the same lot or parcel used with the building, extending from the setback line to the nearest lot line, to be unoccupied and unobstructed except as provided in the Development Code.

Yard, Front. "Front yard" means a yard lying between the setback line and the front lot line and extending across the full width of the lot or parcel. In the case of either a corner lot or an interior lot with multiple street frontages, all yards abutting streets, other than collectors or arterials, shall be considered as front yards.

Yard, Rear. "Rear yard" means a yard between the setback line and the rear lot line and extending across the full width of the lot or parcel. On a corner lot, the side opposite the shortest front yard width is considered the rear yard of the lot.

Yard, Side. "Side yard" means a yard lying between the setback line and the side lot line and extending from the front yard line to the rear yard line.

Zone or Regulatory Zone. "Zone" or "Regulatory Zone" means a portion of the unincorporated area of Washoe County which is specifically designated in Article 106 of this Development Code.

*[Amended by Ord. 867, provisions eff. 5/27/93; Ord. 873, provisions eff. 6/7/93; Ord. 890, provisions eff. 11/29/93; Ord. 893, provisions eff. 3/4/94; Ord. 899, provisions eff. 5/31/94; Ord. 916, provisions eff. retro. to 5/26/93; Ord. 942, provisions eff. 4/1/96; Ord. 965, provisions eff. 10/1/96; Ord. 1076, provisions eff. 10/1/99; Ord. 1088, provisions eff. 1/28/00; Ord. 1089, provisions eff. retro to 1/1/00; Ord. 1091, provisions eff. 4/28/00; Ord. 1102, provisions eff. 8/11/00; Ord. 1112, provisions eff. 2/15/01; Ord. 1140, provisions eff. 12/31/01; Ord. 1156, provisions eff. 3/22/02; Ord. 1234, provisions eff. 05/21/04; Ord. 1238, provisions eff. 6/4/04; Ord. 1288 and 1290, provisions eff. 3/24/06; Ord. 1347, provisions eff. 11/2/07; Ord. 1356, provisions eff. 12/21/07; Ord. 1447, provisions eff. 9/9/10; Ord. 1451, provisions eff. 1/1/11; Ord. 1485, provisions eff. 3/27/12; Ord. 1504, provisions eff. 3/8/13; Ord 1584, provisions eff 8/19/16; Ord 1587, provisions eff. 11/25/16, Ord. 1640, provisions eff 7/19/19.]*

## Article 304

# USE CLASSIFICATION SYSTEM

---

### Sections:

110.304.00	Purpose
110.304.05	Classification Rules
110.304.10	Authority and Responsibility
110.304.15	Residential Use Types
110.304.20	Civic Use Types
110.304.25	Commercial Use Types
110.304.30	Industrial Use Types
110.304.35	Agricultural Use Types

**Section 110.304.00 Purpose.** The purpose of this article, Article 304, Use Classification System, is to classify uses according to a limited number of use types on the basis of common functional, product or compatibility characteristics, thereby providing a basis for regulation of uses in accordance with criteria which are directly relevant to the public interest. These provisions shall apply throughout the Development Code.

**Section 110.304.05 Classification Rules.** Uses will be classified into use types based upon the descriptions in Section 110.304.15 through Section 110.304.35, inclusive. The classifications shall comply with the provisions of this section.

- (a) Types of Uses Regulated. Only principal uses are included within the use classification system. Accessory uses and temporary uses are regulated by Article 306, Accessory Uses and Structures, and Article 310, Temporary Uses and Structures, respectively.
- (b) Typical Uses within Use Types. The description of the use types in this article often contain usual and customary uses classified within that use type. These usual and customary uses are examples and are not meant to include all uses that may properly be classified within the use type.
- (c) Classifying New Uses. New uses shall be classified into use types based upon the description of the use types and upon characteristics similar to other uses already classified within the use type, subject to the applicable provisions of subsection (d) of the section. The North American Industry Classification System shall be used to help define new uses when deemed appropriate by the Director of Community Development.
- (d) Classifying Several Uses on the Same Parcel. The principal uses conducted on a single parcel shall be classified separately.

*[Amended by Ord. 875, provisions eff. 8/3/93; Ord. 1433, provisions eff. 3/5/10.]*

**Section 110.304.10 Authority and Responsibility.** The Director of Community Development shall have the following authority and responsibilities with respect to the use classification system:

- (a) Classifying Uses. The Director of Community Development shall have the authority to classify uses according to use types or to determine that a use does not fit under any use type and, therefore, is not permitted. The classification of a use is an administrative decision without notice and hearing, except that an applicant can appeal the decision pursuant to Article 808, Administrative Permits.
- (b) List of Uses. The Director of Community Development shall develop and maintain an administrative list of common uses and the use types into which they are classified.

**Section 110.304.15 Residential Use Types.** Residential use types include the occupancy of living accommodations on a wholly or primarily non-transient basis but exclude institutional living arrangements providing twenty-four-hour skilled nursing or medical care and those providing forced residence, such as asylums and prisons.

- (a) Family Residential. The family residential use type refers to the occupancy of living quarters by one (1) or more families. The following are family residential use types:
  - (1) Attached Accessory Dwelling Unit. An attached accessory dwelling unit is a portion of or an addition to a single family main dwelling that has been designed or configured to be used as a separate and independent dwelling unit. An attached accessory dwelling unit includes, at a minimum, permanent kitchen and bathroom (i.e. a toilet) facilities, but may also include living, sleeping, and eating facilities, all separated from the main unit by walls or ceilings and accessed through a lockable exterior or interior door. The attached accessory dwelling unit shall not exceed forty (40) percent of the total square footage of the main dwelling unit or 1,000 square feet, whichever is smaller. The square footage of garages, crawl spaces, cellars, attics, or basements not designed for human occupancy shall not be included when calculating the total square footage of the main dwelling unit, unless such areas have been legally converted into habitable space. An attached accessory dwelling may be created by converting part of, or adding on to, an existing single family main dwelling. To be considered attached, the accessory dwelling unit must abut (i.e. be on the opposite side of a wall or ceiling) the habitable space of the main dwelling, or the ceiling of a garage attached to the main dwelling. Incidental and accessory features such as trellises, decks, patios, breezeways, or tool sheds will not be considered as establishing an attached structure/dwelling. Typical uses include guest rooms, guest apartments and "granny flats."
  - (2) Detached Accessory Dwelling Unit. A detached accessory dwelling unit refers to a dwelling unit on the same lot as the main dwelling unit, but which is physically separated from the main dwelling unit. A detached accessory dwelling unit is designed and configured to provide independent living facilities for one or more persons, and includes, at a minimum, permanent kitchen and bathroom (i.e. a toilet) facilities, but which may also include living, sleeping, and eating facilities. Except in the Medium Density Suburban (MDS) Regulatory Zone, a detached accessory dwelling unit shall not exceed fifteen hundred (1,500) square feet or fifty (50) percent of the total square footage of the main dwelling unit, whichever is smaller. In the Medium Density Suburban (MDS) Regulatory Zone, the detached accessory dwelling unit shall not exceed eight hundred (800) square feet or fifty (50) percent of the total square footage of the



main dwelling unit, whichever is smaller. The square footage of garages, crawl spaces, cellars, attics, or basements not designed for human occupancy shall not be included when calculating the total square footage of the main dwelling unit, unless such areas have been legally converted into habitable space. Typical uses include guest houses, second units, "granny flats" and caretaker's quarters.

- (3) Detached Accessory Structure. A detached accessory structure refers to a building or structure on the same lot as the main residential structure and devoted to a use incidental to that main residential structure. A detached accessory structure is not designed, configured, or used for human habitation. The detached accessory structure may be connected to water and wastewater systems subject to the recordation of a deed restriction prohibiting the use of the structure as a dwelling unit. Installation of both a kitchen (as defined in Article 902) and a toilet in a detached accessory structure shall render the structure as a dwelling unit and subject to the accessory dwelling unit provisions. Typical uses include storage buildings and sheds, barns and detached garages.
  - (4) Duplex. Duplex refers to the use of a parcel for two (2) dwelling units in a single structure.
  - (5) Multi-Family. Multi-family refers to the use of a parcel for three (3) or more dwelling units within one (1) or more buildings, including condominium developments.
  - (6) Single Family, Attached. Single family, attached refers to two (2) or more dwelling units constructed with a common or abutting wall with each located on its own separate parcel.
  - (7) Single Family, Detached. Single family, detached refers to the use of a parcel for only one (1) dwelling unit.
- (b) Manufactured Home Parks. Manufactured home parks use type refers to the occupancy of a dwelling unit defined as a mobile home or a manufactured home and which is located in a site defined as a manufactured home park.
- (c) Group Home. Group home use type refers to the occupancy of a single family dwelling by and the care for a group of ten (10) or fewer persons on a weekly or longer basis who are not defined as a family. The number of persons who reside in a group home excludes any caregivers and their family who also reside in the single family residence.
- (1) This term includes specifically the following uses:
    - (i) Residential facility for groups; or
    - (ii) Home for individual residential care;
    - (iii) Halfway house for recovering alcohol or drug abusers;
    - (iv) Group foster home.

- (2) The term group home does not include a child care institution or a facility for transitional living for released offenders.

*[Amended by Ord. 875, provisions eff. 8/3/93; Ord. 959, provisions eff. 7/26/96; Ord. 1088, provisions eff. 1/28/00; Ord. 1156, provisions eff. 3/22/02; Ord. 1451, provisions eff. 1/1/11; Ord. 1485, provisions eff. 3/27/12.]*

**Section 110.304.20 Civic Use Types.** Civic use types include the performance of utility, educational, cultural, medical, protective, governmental and other uses which are strongly vested with public or social importance.

- (a) Administrative Services. Administrative services use type refers to consulting, record keeping, clerical or public contact services that deal directly with the citizen, together with incidental storage of necessary equipment and vehicles.
- (b) Child Care. Child care use type refers to the use of a building or a portion thereof for the daytime care of individuals under eighteen (18) years of age. Child care use types are subject to the regulations and permission of the Washoe County Department of Social Services. This use type includes nursery schools, preschools, daycare centers and similar uses, but excludes those classified under education. The following are child care use types:
  - (1) Family Daycare. Family daycare refers to daycare services provided for six (6) or fewer full-time children, including those of the child care facility licensee who are under the age of seven (7) years, except that care may also be provided for up to three (3) additional part-time children for three (3) hours before school and three (3) hours after school, but only during periods when schools are in session, subject to the regulations and permission of the Washoe County Department of Social Services.
  - (2) Large-Family Daycare. Large-family daycare refers to daycare services provided for more than six (6) full-time children, including those of the child care facility licensee who are under the age of seven (7) years.
  - (3) Child Daycare. Child daycare refers to services providing non-medical care to any number of children in need of personal services or supervision, on less than a twenty-four (24) hour basis, but excluding services provided in a private dwelling.
- (c) Community Center. Community center use type refers to recreational, social or multi-purpose uses within buildings with no fixed seats and occupancy limited to five hundred (500) or fewer. Typical uses include public or private, non-commercial clubs.
- (d) Community Garden. Community garden use type refers to an area of land managed and maintained by a group to grow and harvest food crops, non-food crops (such as native plants), or ornamental crops (such as flowers), for personal or group use, consumption, or donation. Commercial sale of any crops produced in the community garden is prohibited. A community garden may be established in any regulatory zone subject to the following conditions:
  - (1) A signed affidavit shall be submitted to the division stating that the property owners, or the owners designated agent, agree to the proposed use. All

liability considerations are the responsibility of the property owner and the users of the property.

- (2) A site plan shall be submitted to the division showing the areas to be cultivated, the location of any structures associated with the use, access points, how and where water will be obtained, and parking locations (if applicable).
  - (3) Structures smaller than or equal to two-hundred (200) square feet may be established on-site to support operation and maintenance of the community garden, provided they are located at least five (5) feet from any property line, do not block any easements, and do not impede sight visibility from or onto public streets. All tools, equipment, chemicals, or fertilizers stored on site shall be within a locked structure.
  - (4) Activities at the garden site shall be limited to daylight hours. The use of motorized equipment is limited to the hours of 8 a.m. to 5 p.m. No exterior lighting or illumination shall occur.
  - (5) Once all outdoor crops have been harvested for the current growing season, the area utilized shall be cleaned of any dead vegetation or supporting materials within thirty (30) days of the final harvest or by November 15, whichever comes first. Tilling of the dead vegetation back into the soil is allowed and meets this requirement.
- (e) Convalescent Services. Convalescent services use type refers to provision of bed care and in-patient services for persons requiring regular medical attention, but excludes a facility providing surgical or emergency medical services and a facility providing care for alcohol or drug addiction.
- (f) Cultural and Library Services. Cultural and library services use type refers to non-profit, museum-like preservation and exhibition of objects of permanent interest in one or more of the arts and sciences, gallery exhibition of works of art or library collection of books, manuscripts, etc., for study and reading.
- (g) Education. Education use type refers to educational services provided by public, private or parochial institutions, but excludes uses classified under commercial education services. Typical uses include elementary, junior high, and senior high schools, and junior colleges. Curriculum must be approved by the State Department of Education. This use type does not refer to home schooling of children who live on-site.
- (1) Private School Facilities. Private School Facilities use type refers to educational services for the education of the children of the community that are funded primarily by means other than tax revenue.
  - (2) Public School Facilities. Public School Facilities use type refers to educational services for the education of the children of the community that are funded primarily with tax revenue.
- (h) Group Care Facility. Group care facility use type refers to an establishment that provides housing and living environment on a weekly or longer basis, for a group of persons not defined as a family or a group home. These facilities may provide life skill training, living assistance and supervised care service, but excludes medical treatment or uses classified under hospital services. This term includes specifically the following types of uses:

- (1) Child Care Institution;
  - (2) Facility for transitional living for released offenders;
  - (3) Group home use types which accommodate more persons that permitted as a group home.
- (i) Hospital Services. Hospital services use type refers to medical, psychiatric or surgical services for sick or injured persons primarily on an in-patient basis, including ancillary facilities for out-patient and emergency medical services, diagnostic services, training, research, administration and services to patients, employees or visitors.
- (j) Major Services and Utilities.
- (1) Utility Services. Utility services use type refers to the provision of electricity, water or other liquids, or gas, through wires, pipes or ditches through utility services involving major structures that have flexibility in location. Typical uses include natural gas transmission lines and substations, petroleum pipelines, and irrigation water ditches.
  - (2) Major Public Facilities. Major public facilities use type refers to public facilities that provide a significant service and have a substantial impact on the community. Typical uses are sanitary landfills, airports, and detention and correction facilities.
- (k) Nature Center. Nature center use type refers to an area set aside for the public viewing and display of indigenous or exotic wildlife and/or indigenous or exotic plant life on either a for-profit or non-profit basis in a structured setting. Typical uses include zoos, wildlife sanctuaries, arboretums and gardens.
- (l) Parks and Recreation. Parks and recreation use type refers to publicly owned parks or private not for profit recreation facilities and open space facilities within the recreation areas. These may be operated by a concessionaire. The following are park and recreation use types:
- (1) Active Recreation. Active recreation refers to public park recreational uses that may have a potential impact on the area or adjacent land uses. Uses include participant sports and developed family recreational areas. Typical uses include group picnicking, tennis courts, swimming pools, softball diamonds, group campgrounds, and community centers operated by a public entity.
  - (2) Passive Recreation. Passive recreation refers to public park recreational uses that have no or a minimal impact on the area and adjacent land uses. Uses include hiking, nature study, wildlife refuge, fishing and viewing. No active uses, such as group picnicking, camping and sporting activities, are included.
- (m) Postal Services. Postal services use type refers to mailing services, excluding major processing, as provided by the United States Postal Service, including branch post offices and public and private facilities.
- (n) Public Parking Services. Public parking services use type refers to parking services involving building and lots which may be privately and/or publicly owned and operated and

is assigned to meet a parking demand. Commercial parking is that which is not designated for any identified use.

- (o) Public Service Yard. Public service yard use type refers to the use of a property operated by a governmental agency for the purposes of storing equipment and materials and includes ancillary office and meeting space for public service projects. A public service yard is limited to operations involving public road construction, road maintenance, snow removal and operations supporting public parks construction and maintenance.
- (p) Religious Assembly. Religious assembly use type refers to religious services involving public assembly such as customarily occurs in synagogues, temples and churches.
- (q) Safety Services. Safety services use type refers to public safety and emergency services, including police and fire protection services, and emergency medical and ambulance services.

*[Amended by Ord. 875, provisions eff. 8/3/93; Ord. 895, provisions eff. 1/24/94; Ord. 1023, provisions eff. 7/1/98; Ord. 1088, provisions eff. 1/28/00; Ord. 1156, provisions eff. 3/22/02; Ord. 1368, provisions eff. 6/20/08; Ord. 1433, provisions eff. 3/5/10; Ord. 1485, provisions eff. 3/27/12; Ord. 1540, provisions eff. 9/5/14; Ord. 1623, provisions eff. 9/21/18.]*

**Section 110.304.25 Commercial Use Types.** Commercial use types include the distribution and sale or rental of goods, and the provision of services other than those classified as civic or industrial use types. All permanent commercial uses are required to operate from a commercial structure.

- (a) Administrative Offices. Administrative offices use type refers to offices or private firms or organizations which are primarily used for the provision of executive, management or administrative services. Typical uses include administrative offices and services including travel, secretarial services, telephone answering, photo-copying and reproduction, and business offices of public utilities, organizations and associations, or other use classifications when the service rendered is that customarily associated with administrative office services.
- (b) Adult Characterized Business. Adult characterized business use type refers to uses defined in Washoe County Code, Chapter 25.
- (c) Animal Sales and Services. Animal sales and services use type refers to establishments or places of business primarily engaged in animal-related sales and services. Animals kept as domestic pets or as accessory uses to a residential use are regulated by the accessory use provisions of Article 330, Domestic Pets and Livestock. The following are animal sales and services use types:
  - (1) Commercial Kennels. Commercial kennels refers to kennel services for dogs, cats and similar animals. Typical uses include commercial animal breeding with four (4) or more animals (dogs), boarding kennels, pet motels, or dog training centers. Commercial kennels require a parcel size minimum of two-and-one-half (2.5) acres regardless of the regulatory zone within which it is located.
  - (2) Commercial Stables. Commercial stables refers to boarding or raising of three (3) or more horses, but excludes horses used primarily for agricultural operations which are classified under animal production.

Typical uses include commercial stables, riding clubs and riding instruction facilities.

- (3) Grooming and Pet Stores. Grooming and pet stores refers to grooming or selling of dogs, cats and similar small animals. Typical uses include dog bathing and clipping salons, pet grooming shops, or pet stores and shops.
  - (4) Pet Cemeteries. Pet cemeteries refers to services involving the preparation of dead animals for burial and the keeping of animal bodies on cemetery grounds as well as cremation of dead animals. Regardless of the regulatory zone in which it is located, a pet cemetery must be located on a parcel at least two-and-one-half (2.5) acres in size. Cremation of dead animals shall take place in an area designated only for the cremation of pets and which complies with any applicable federal or state statute or regulation or local ordinance.
  - (5) Veterinary Services, Agricultural. Veterinary services, agricultural refers to veterinary services specializing in the care and treatment of large animals. Veterinary services for small animals including pet clinics, dog and cat hospitals, or animal hospitals may be included to provide full veterinary services. Veterinary services, agriculture requires a parcel size minimum of two-and-one-half (2.5) acres regardless of the regulatory zone within which it is located. Typical uses include veterinary offices for livestock.
  - (6) Veterinary Services, Pets. Veterinary services, pets refers to veterinary services for small animals. Typical uses include pet clinics, dog and cat hospitals, or animal hospitals.
  - (7) Dog Training Services. Dog training services use type means the training of dogs with their owners or owners' designee, where both owner and dog participate in dog training classes.
- (d) Automotive and Equipment. Automotive and equipment use type refers to establishments or places of business primarily engaged in automotive-related or heavy equipment sales or services. The following are automotive and equipment use types:
- (1) Automotive Repair. Automotive repair refers to repair of automobiles and the sale, installation and servicing of automobile equipment and parts. Typical uses include muffler shops, automobile repair garages or automobile glass shops.
  - (2) Automotive Sales and Rentals. Automotive sales and rentals refers to on-site sales and/or rentals of automobiles, non-commercial trucks, motorcycles, motor homes and trailers together with incidental maintenance. Typical uses include automobile dealers, car rental agencies, or recreational vehicle sales and rental agencies.
  - (3) Cleaning. Cleaning refers to washing and polishing of automobiles. Typical uses include automobile laundries or car washes.
  - (4) Commercial Parking. Commercial parking refers to parking of operable motor vehicles on a temporary basis within a privately owned off-street

parking area with or without a fee. Commercial parking is that which is not designated for any identified use. Typical uses include commercial parking lots or garages.

- (5) Equipment Repair and Sales. Equipment repair and sales refers to repair of motor vehicles such as aircraft, boats, recreational vehicles, trucks, etc.; the sale, installation and servicing of automobile equipment and parts; and body repair, painting and steam cleaning. Typical uses include truck transmission shops, body shops, storage of manufactured homes, motor freight maintenance groups or agricultural equipment sales.
  - (6) Fabricated Housing Sales. Fabricated housing sales refers to the sales of new and used modular housing, manufactured homes and/or mobile homes; and ancillary minor repair of modular housing, manufactured homes and/or mobile homes sold from the same location as the new or used units. Typical uses include mobile homes sales lots and minor repairs of units sold on site that do not include changes in walls and do not include changes in undercarriage plumbing or support systems.
  - (7) Storage of Operable Vehicles. Storage of operable vehicles refers to storage of operable vehicles, recreational vehicles and boat trailers. Typical uses include storage areas within personal storage facilities and storage yards for commercial vehicles.
  - (8) Truck Stops. Truck stops refers to businesses engaged in the sale of fuel and lubricants primarily for trucks, routine repair and maintenance of trucks, and associated uses such as selling food and truck accessories.
- (e) Building Maintenance Services. Building maintenance services use type refers to establishments primarily engaged in the provision of maintenance and custodial services to firms rather than individuals. Typical uses include janitorial, landscape maintenance or window cleaning services.
- (f) Commercial Centers. Commercial centers use type refers to a group of unified commercial establishments built on a site which is planned, developed, owned and managed as an operating unit. The following are commercial center use types:
- (1) Neighborhood Centers. Neighborhood centers refers to sales of convenience goods (foods, drugs and sundries) and personal services, those which meet the daily needs of an immediate neighborhood trade area. A neighborhood center typically includes convenience retail and services a population of 2,500 to 40,000 people, typically has a service area radius of one-half to one-and-one-half miles, and has a typical range of 15,000 to 50,000 square feet of gross leasable area.
  - (2) Community Centers. Community centers refers to shopping establishments containing some services of the neighborhood center plus other services providing a greater depth and range of merchandise than contained in the neighborhood center. A community center may be built around a department store or a variety store as the major tenant. A community center generally serves a trade area population of 40,000 to 50,000 people, typically has a service area radius of one to three miles, and has a typical range of 50,000 to 150,000 square feet of gross leasable area.

- (3) Regional Centers. Regional centers refers to centers that provide shopping goods, general merchandise, apparel, furniture and home furnishings in full depth and variety. They usually are built around more than one department store. Typical design uses the pedestrian mall, either open or enclosed, as a connector between major anchor stores. A regional center serves as a major commercial center for the entire region and typically has more than 150,000 square feet of gross leasable area.
- (g) Commercial Educational Services. Commercial educational services use type refers to educational services provided by private institutions or individuals with the primary purpose of preparing students for jobs in trade or profession. Typical uses include business and vocational schools, music schools and hair styling schools.
- (h) Commercial Recreation. Commercial recreation use type refers to commercial establishments or places of business primarily engaged in the provision of sports, entertainment or recreation for participants or spectators. The following are commercial recreation use types:
- (1) Commercial Campground Facilities/RV Park. Commercial campground facilities/RV park refers to areas and services for two (2) or more campsites, accommodating camping vehicles and tents, which are used by the general public as temporary living quarters for recreational purposes. Typical uses include recreational vehicle campgrounds.
- (2) Destination Resorts. Destination resorts refers to commercial enterprises for recreation that can include lodging. Typical uses include ski resorts, dude ranches, and hunting and fishing lodges.
- (3) Indoor Entertainment. Indoor entertainment refers to predominantly spectator uses conducted within an enclosed building. Typical uses include motion picture theaters, meeting halls and dance halls.
- (4) Indoor Sports and Recreation. Indoor sports and recreation refers to predominantly participant sports conducted within an enclosed building. Typical uses include bowling alleys, billiard parlors, ice and roller skating rinks, indoor racquetball courts and athletic clubs.
- (5) Limited Gaming Facilities. Limited gaming facilities refers to establishments which contains no more than fifteen (15) slot machines (and no other game or gaming device) where the operation of the slot machine is incidental to the primary business of the establishment.
- (6) Marinas. Marinas refers to docking, storage, rental and minor repair of recreational and fishing boats. Typical uses include recreational boat marinas and boat rental establishments.
- (7) Outdoor Entertainment. Outdoor entertainment refers to predominantly spectator-type uses conducted in open or partially enclosed or screened facilities. Typical uses include sports arenas, racing facilities and amusement parks.
- (8) Outdoor Sports and Recreation. Outdoor sports and recreation refers to predominantly participant sports conducted in open or partially enclosed



or screened facilities. Typical uses include driving ranges, miniature golf courses, golf courses, swimming pools and tennis courts.

- (9) Outdoor Sports Club. Outdoor sports club refers to sports clubs using agricultural land or open space for hunting, shooting or fishing purposes. Typical uses include duck clubs, hunting clubs, skeet clubs and rifle ranges.
- (10) Unlimited Gaming Facilities. Unlimited gaming facilities refers to an establishment which contains fifteen (15) or more electronic gaming devices or operation of other gaming devices as authorized by the State of Nevada.
- (i) Communication Facilities. Communication facilities use type refers to establishments primarily engaged in the transmission and/or receiving of electromagnetic waves. Typical uses include television stations, radio stations, satellite dishes, antennas and wireless communication facilities. Refer to Article 324, Communication Facilities, for subcategories of communication facilities.
- (j) Construction Sales and Services. Construction sales and services use type refers to establishments or places of business primarily engaged in construction activities and incidental storage, as well as the retail or wholesale sale from the premises, of materials used in the construction of buildings or other structures. This use type does not include retail sales of paint, fixtures and hardware, or those uses classified as one of the automotive and equipment use types. This use type does not refer to actual construction sites. Typical uses include tool and equipment rental, or sales and building material stores.
- (k) Continuum of Care Facilities, Seniors. Continuum of care facilities for seniors use type refers to **commercial** establishments that provide ~~range~~ housing, activities and **twenty-four-hour skilled nursing or medical care** ~~health services~~ to allow for adults to age in place. ~~Residential density~~ **The number of continuum of care units** and parking standards shall be determined **through** ~~in~~ the special use permit process; ~~a~~**All** other development standards shall apply. Facilities may include independent living, assisted living, nursing care, ~~and~~ hospice care, ~~as well as~~ accessory housing for staff, and medical facilities and services for residents.
- (l) Convention and Meeting Facilities. Convention and meeting facilities use type refers to establishments which primarily provide convention and meeting facilities. Typical uses include convention facilities and wedding chapels.
- (m) Data Center. Data Center use type refers to establishments or places of business primarily engaged in the storage/housing of equipment, such as computers, servers, switches, routers, data storage devices, and related equipment for the purpose of storing, managing, processing, and exchanging of digital data and information.
- (n) Eating and Drinking Establishments. Eating and drinking establishments use type refers to establishments or places of business primarily engaged in the sale of prepared food and beverages for on-premises consumption, but excludes those uses classified under the liquor sales use type. The following are eating and drinking establishments use types:

- (1) Convenience. Convenience refers to establishments or places of business primarily engaged in the preparation and retail sale of food and beverages, have a short customer turnover rate (typically less than one hour), and may include sales of alcoholic beverages. Typical uses include drive-in and fast-food restaurants, ice cream parlors, sandwich shops and delicatessens.
- (2) Full Service. Full service refers to establishments or places of business primarily engaged in the sale of prepared food and beverages on the premises, which generally have a customer turnover rate of one hour or longer, and which include sales of alcoholic beverages at the table or at a bar as an accessory or secondary service. Typical uses include full-service restaurants.
- (o) Financial Services. Financial services use type refers to establishments primarily engaged in the provision of financial and banking services. Typical uses include banks, savings and loan institutions, loan and lending activities, and check cashing facilities.
- (p) Funeral and Interment Services. Funeral and interment services use type refers to provision of services involving the care, preparation or disposition of human dead. The following are funeral and interment services use types:
  - (1) Cemeteries. Cemeteries refers to undertaking services and services involving the keeping of bodies provided on cemetery grounds. Typical uses include crematoriums, mausoleums and columbariums.
  - (2) Undertaking. Undertaking refers to services involving the preparation of the dead for burial and arranging and managing funerals. Typical uses include funeral homes or mortuaries.
- (q) Gasoline Sales and Service Stations. Gasoline sales and service stations use type refers to retail sales of petroleum products from the premises of the establishment and incidental sale of tires, batteries, replacement items, lubricating services and minor repair services. Typical uses include automobile service stations.
- (r) Helicopter Services. Helicopter services use type refers to areas used by helicopter or steep-gradient aircraft. The following are helicopter services use types:
  - (1) Heliport. Heliport refers to areas used by helicopters or by other steep-gradient aircraft, which includes passenger and cargo facilities, maintenance and overhaul, fueling service, storage space, tie-down space, hangers and other accessory buildings, and open space.
  - (2) Helistop. Helistop refers to areas on a roof or on the ground used by helicopters or steep-gradient aircraft for the purpose of picking up or discharging passengers or cargo, but not including fueling service, maintenance or overhaul.
- (s) Liquor Manufacturing. Liquor manufacturing refers to the brewing, distillation, making, and/or manufacture of intoxicating liquors on the premises of the establishment. The resulting liquor products may be sold at retail to the public for on-site consumption and/or for off-site consumption. The liquor products may also

be sold to licensed importer and/or wholesaler liquor dealers, with or without sales to the public. Liquor manufacturing may be in conjunction with another commercial use type, such as a full service eating and drinking establishment. Typical uses include brew pubs, breweries, craft distilleries, and wine makers.

- (t) Liquor Sales. Liquor sales use type refers to retail sales of alcoholic beverages, as defined in Chapter 30 of County Code (Intoxicating Liquor and Gaming Licenses and Regulations), to the public. The following are liquor sales use types:
  - (1) Off-Premises. Off-premises refers to the retail sale of alcoholic beverages to the public for off-site consumption, but excludes uses classified under the retail sales use type. Typical uses include stores that sell packaged liquor.
  - (2) On-Premises. On-premises refers to the retail sale of alcoholic beverages to the public for on-site consumption, but excludes uses classified under the eating and drinking establishments use type. Typical uses include bars, taverns, cabarets, and casino service bars.
  
- (u) Lodging Services. Lodging services use type refers to establishments primarily engaged in the provision of lodging on a less-than-weekly basis within incidental food, drink, and other sales and services intended for the convenience of guests, but excludes those classified under residential group home and commercial recreation. The following are lodging services use types:
  - (1) Bed and Breakfast Inns. Bed and breakfast inns refers to single family dwellings with guest rooms (no cooking facilities in guest rooms) where, for compensation, meals and lodging are provided.
  - (2) Condominium Hotel. Condominium hotel refers to temporary residences for transient guests, primarily persons who have residence elsewhere, with access to each room through an interior hall and lobby or outside porch or landing, and when the hotel rooms are owned as separate real estate; and the remainder of the property including amenities, open space, etc. is either owned in common by the hotel room owners and managed by an association, or owned by a separate entity in which a fee for use of the amenities, open space, etc. may or may not be charged the hotel room owners.
  - (3) Hostels. Hostels refers to supervised transient facilities offering dormitory type lodging, usually with a minimum of facilities.
  - (4) Hotels and Motels. Hotels and motels refers to temporary residences for transient guests, primarily persons who have residence elsewhere, with access to each room through an interior hall and lobby or outside porch or landing.
  - (5) Vacation Time Shares. Vacation time shares refers to real properties that are subject to a time share program.
  
- (v) Marijuana Establishments. A marijuana establishment, as defined and authorized by NRS 453A and NRS 453D, refers to commercial establishments, facilities, or places of business primarily engaged in the cultivation, production, acquisition, testing, supply, sale or distribution of marijuana products and related supplies and services, either for medical or adult recreational use. All marijuana establishments must be licensed by the Department of Taxation ("Department"). A business may be licensed with the Department to act as

more than one of the marijuana establishment use types listed below in subsections one (1) through five (5). The following are marijuana establishment use types:

- (1) Marijuana Cultivation Facility. A marijuana cultivation facility, as defined by NRS 453A and/or 453D, refers to a business licensed as either a medical marijuana cultivation facility or as a marijuana cultivation facility, or both, which is authorized to cultivate, process, and package marijuana, to have marijuana tested by a marijuana testing facility, and to sell marijuana to retail marijuana stores, to marijuana product manufacturing facilities, and to other marijuana cultivation facilities, but not to consumers.
- (2) Marijuana Product Manufacturing Facility. A marijuana product manufacturing facility, as defined by NRS 453A and/or 453D, refers to a business licensed as a facility for the production of edible marijuana products or marijuana-infused products, and/or as a marijuana product manufacturing facility, which is authorized to purchase marijuana, manufacture, process, and package marijuana and marijuana products, and sell marijuana and marijuana products to other marijuana product manufacturing facilities and to retail marijuana stores, but not to consumers.
- (3) Marijuana Testing Facility. A marijuana testing facility, as defined by NRS 453A and/or 453D, refers to a business licensed as a medical marijuana independent testing laboratory and/or as a marijuana testing facility, which is authorized to test marijuana and marijuana products, including for potency and contaminants.
- (4) Retail Marijuana Store/Medical Dispensary. A retail marijuana store/medical dispensary, as defined by NRS 453A and/or 453D, refers to a business licensed as either a medical marijuana dispensary or as a retail marijuana store, or both, which is authorized to purchase marijuana from marijuana cultivation facilities, to purchase marijuana and marijuana products from marijuana product manufacturing facilities and retail marijuana stores, and to sell marijuana and marijuana products to consumers. In order to operate as a retail marijuana store / medical dispensary for adult recreational use, the business must retain State licensure as a medical marijuana dispensary to continue business operations in the unincorporated County.
- (5) Marijuana Distributor. A marijuana distributor, as defined by NRS 453D and WCC 25.708(2), refers to a business licensed to transport marijuana from a marijuana establishment to another marijuana establishment. A marijuana distributor license provides for the transport of both medical and recreational (adult use) marijuana, marijuana products and/or marijuana paraphernalia to marijuana establishments located within the unincorporated County.
  - (a) A retail marijuana store / medical dispensary is not required to obtain a marijuana distributor license to transport marijuana or marijuana products directly to consumers.
  - (b) Marijuana distributors will only transport marijuana, marijuana products and/or marijuana paraphernalia following the provisions of NRS Chapter 453D and NAC Chapter 453D.
  - (c) Wholesale intoxicating liquor dealers licensed pursuant to NRS Chapter 369 applying for a marijuana distributor license must possess a valid and current County Importer / Wholesaler intoxicating liquor license.

- (d) A marijuana distributor business is not allowed as a home-based business.
- (w) Medical Services. Medical services use type refers to establishments primarily engaged in the provision of personal health services ranging from prevention, diagnosis and treatment, or rehabilitation services provided by physicians, dentists, nurses and other health personnel as well as the provision of medical testing and analysis services, but excludes those classified as any civic use type. Typical uses include medical offices, dental laboratories, health maintenance organizations, immediate care facilities or sports medicine facilities.
- (x) Nursery Sales. Nursery sales use type refers to the sales of plants, flowers and related nursery items. The following are nursery sales use types:
  - (1) Retail. Retail refers to retail sale of plants and flowers and related nursery items. Typical uses include retail nurseries and home garden stores.
  - (2) Wholesale. Wholesale refers to wholesaling of plants and flowers, with incidental retail sales. Typical uses include wholesale nurseries.
- (y) Personal Services. Personal services use type refers to establishments primarily engaged in the provision of informational, instructional, personal improvement and similar services of a non-professional nature, but excludes services classified as commercial recreation or lodging services. Typical uses include photography studios, driving schools or weight loss centers.
- (z) Personal Storage. Personal storage use type refers to storage services primarily for personal effects and household goods within an enclosed storage area having individual access, but excludes workshops, hobby shops, manufacturing or commercial activity. Typical uses include mini-warehouses.
- (aa) Professional Services. Professional services use type refers to establishments which provide professional services to individuals or businesses, but excludes offices servicing walk-in customers which are classified under the administrative offices use type. Typical uses include law offices, real estate offices, insurance offices and architectural firms.
- (bb) Recycle Center. Recycle center use type refers to facilities for the collection, as a commercial enterprise, of household recyclables such as newspapers, bottles and cans. Recycle centers do not include recycle facilities existing as a part of a refuse pickup service or recycle bins used for donations to non-profit organizations. The following are recycle center use types:
  - (1) Full Service Recycle Center. Full service recycle center refers to large, fully attended recycle centers accepting paper, plastic and glass household recyclables and may include processing or sorting of the recyclables.
  - (2) Remote Collection Facility. Remote collection facility refers to a center for the acceptance, by redemption or purchase, of recyclable materials from the public. Such a facility does not process the recyclables on site. Typical uses include reverse vending machines.
  - (3) Residential Hazardous Substance Recycle Center. Residential hazardous substance recycle center refers to specialized recycling

centers that receive household hazardous substances such as household paint, household cleaners and automobile engine oil.

- (cc) Repair Services, Consumer. Repair services, consumer use type refers to establishments primarily engaged in the provision of repair services to individuals and households rather than firms, but excludes automotive repair. Typical uses include appliance repair shops, apparel repair firms or instrument repair firms.
- (dd) Retail Sales. Retail sales use type refers to retail sales of commonly used goods and merchandise, either free-standing or within a commercial center, but excludes those uses classified under other use types. The following are retail sales use types:
  - (1) Convenience. Convenience refers to establishments which provide a limited number of frequently or recurrently needed personal items or services for residents of an immediate neighborhood. Typical uses include convenience stores, small grocery stores, barber shops, beauty parlors, dry cleaners and self-service laundromats.
  - (2) Specialty Stores. Specialty stores refers to establishments which provide a variety of retail or personal services needs for residents in the larger community area. Typical uses include supermarkets, super drugs stores, clothing boutiques, antiques, bookstores, furniture stores and auto parts.
  - (3) Comparison Shopping Centers. Comparison shopping centers refers to retail establishments that provide a wide variety of retail and personal services that cater to the regional needs. Typical uses include full-line department stores and warehouse-styled retail outlets.
- (ee) Secondhand Sales. Secondhand sales use type refers to establishments primarily engaged in the sale of goods and merchandise which are not being sold for the first time, but excludes those classified as animal sales and services and automotive and equipment. Typical uses include secondhand stores and thrift shops.
- (ff) Transportation Services. Transportation services use type refers to establishments which provide private transportation of persons and goods. Typical uses include taxi services and commercial postal services.
- (gg) Winery. The Winery use type refers to a facility comprising the building(s) or space used to make wine as an alcoholic beverage obtained by the fermentation of the natural content of fruits or other agricultural products containing sugar. A winery includes crushing of fruit, fermenting, bottling, blending, bulk and bottle storage, aging, shipping and receiving of wine making materials, laboratory equipment, associated maintenance equipment, and administrative office functions related to the operation of the winery. A winery may or may not have a vineyard associated with it and may include a public tasting room and the sale of merchandise related directly to the winery. A winery may only sell at retail by the bottle or serve by the glass, on its premises, wine produced, blended, or aged on site by the winery subject to any limitations set forth in NRS 597.240.

A winery may be established as a stand-alone principal use type or in combination with residential or other authorized use types. The growing of grapes for use in a winery use type or in wine making is classified as Crop Production, a separate

Agricultural Use Type. Wine making in the urban, commercial or industrial regulatory zones, or in conjunction with the manufacture of other types of intoxicating liquor, is classified as Liquor Manufacturing, a separate Commercial Use Type. Any allowed winery use type requires the issuance of the appropriate Washoe County business and liquor licenses pursuant to Chapters 25 and 30 of this Code. The business license application process for an allowed winery shall include the noticing of all adjacent property owners within 500 feet of the subject parcel, homeowners associations or Architectural Control Committees that are registered with the Building and Safety Division which have an interest in the subject parcel, and any properties that share a privately maintained access road to the subject parcel. Review and approval of a business license application to establish a winery shall include, at a minimum, review by the Washoe County Health District, the fire department of jurisdiction, and any General Improvement District with jurisdiction.

Winery with Special Events. Except in the Suburban Residential regulatory zone, a winery approved through an Administrative Permit may include, as part of the Administrative Permit application, provisions for conducting recurring special events as ancillary uses to the principal Winery use. "Special event" means an assembly of less than 100 persons on any one day of the event. Such recurring special events may include, but are not limited to, weddings, tours, promotional events, entertainment (indoor or outdoor), wine and food pairings, and craft fairs. Recurring special events proposed in conjunction with a Winery use must be included in the Administrative Permit application authorizing the Winery use. New or amended proposals for special events shall require either an amendment to the existing Administrative Permit (i.e. Amendment of Conditions) or a separate application for a Temporary Special Event Business License pursuant to Chapter 25 of this Code through the Business License division.

*[Amended by Ord. 875, provisions eff. 8/3/93; Ord. 906, provisions eff. 7/27/94; Ord. 1004, provisions eff. 1/30/98; Ord. 1023, provisions eff. 7/1/98; Ord. 1097, provisions eff. 7/28/00; Ord. 1179, provisions eff. 12/6/02; Ord. 1238, provisions eff. 6/4/04; Ord.1288, provisions eff. 3/24/06; Ord. 1347, provisions eff. 11/2/07; Ord. 1433, provisions eff. 3/5/10; Ord. 1481, provisions eff. 2/3/12; Ord. 1497, provisions eff. 10/5/12; Ord. 1527, provisions eff. 4/18/14; Ord. 1712, provisions eff. 6/27/14, Ord 1586, provisions eff. 10/7/16; Ord. 1616, provisions eff 4/20/18.]*

**Section 110.304.30 Industrial Use Types.** Industrial use types include the on-site production of goods by methods not agricultural in nature, including certain accessory uses.

- (a) Aggregate Facilities. Aggregate facilities use type refers to the extraction and processing of sand, gravel and rock from the ground. Typical uses include sand and gravel pit and ancillary uses such as concrete and asphalt batch plants.
- (b) Caretaker's Residence. Caretaker's residence refers to a permanent on-site residential unit for an industrial use. The purpose of this unit is to provide security for the industrial use and the site on which it is located. It shall be occupied only while a valid business license for an industrial use is in effect and only by an employee of the company which operates the industrial use and at no time shall it be rented to any party other than someone directly employed by the industrial use operator. The caretaker's residence and industrial use are permitted to share access to the site. A caretaker's residence should provide a permanent kitchen, toilet facilities, sleeping, eating, and living facilities, all separate from the industrial use, and must be permitted by all applicable state and local agencies. Two (2) standard parking spaces shall be reserved for use by the residents of the

caretaker's residence. The floor area of the unit shall not exceed two thousand (2,000) square feet. A minimum lot size of one (1) acre is required. Any solid fuel burning device is prohibited. Upon cessation of the industrial use, the use of the caretaker's residence must cease. The following are caretaker's residence use types:

- (1) Attached. Caretaker's residence attached must be attached to or located within the main structure for the industrial use. Only one (1) caretaker's residence is permitted per structure, regardless of the number of businesses located in that structure. Only one (1) caretaker's residence is permitted per employer and per parcel, regardless of the number of businesses located on that parcel.
  - (2) Detached. Caretaker's residence detached must be sited within the developed industrial area, and must be visually integrated with the industrial use. Only one (1) caretaker's residence is permitted per employer and per parcel, regardless of the number of businesses located on that parcel.
- (c) Custom Manufacturing. Custom manufacturing use type refers to the on-site production of goods by hand manufacturing or artistic endeavor which involves only the use of hand tools or domestic mechanical equipment and the incidental sale of these goods directly to consumers. Typical uses include ceramic studios, custom cabinet making, candle making shops and custom jewelry manufacturers.
- (d) Energy Production. Energy production use type refers to the commercial production of electricity.
- (1) Non-Renewable Energy Production. Non-Renewable energy production use type refers to the commercial production of energy utilizing any non-renewable source of energy.
  - (2) Renewable Energy Production. Renewable energy production use type refers to the commercial production of energy utilizing solar, geothermal, wind, hydroelectric, and biomass sources of energy.
- (e) General Industrial. General industrial use type refers to the on-site production of goods other than those that are agricultural or extractive in nature, but excludes those uses classified under custom manufacturing and high technology use types. The following are general industrial use types:
- (1) Limited. Limited refers to production processes which use already manufactured components to assemble, print or package a product such as cloth, paper, plastic, leather, wood, glass or stones, but not including such operations as paper, saw or planing mills, steel, iron or other metalworks, rolling mills, or any manufacturing uses involving primary production of commodities from raw materials. By the nature of the activity performed and/or the scale of operation, these uses can be located near residential or commercial uses with minimal impact to adjacent uses. Typical uses include apparel manufacturing, paper products finishing, furniture production and production of fabricated metal products.
  - (2) Intermediate. Intermediate refers to production processes which can be located near residential or commercial uses only if special control



measures are taken to mitigate the land use conflicts which can result from such operations. Typical uses include production of food substances, household appliance manufacturing, prefabrication of manufactured buildings, and major repair/reconstruction and storage of fabricated housing.

- (3) Heavy. Heavy refers to production processes which should not be located near residential or commercial uses due to the intensive nature of the industrial activity and/or the scale of operation. These uses may be located near other manufacturing uses exhibiting similar characteristics although special control measures may be required for some extremely intensive operations to ensure compatibility with similar industrial uses. Typical uses include motor vehicle assembly, sawmills, textile dyeing, leather tanning, hazardous chemical production, petroleum refining, primary metal processing, storage of manufactured homes and production of explosives or propellants.
- (f) High Technology Industry. High technology industry use type refers to the research, development and controlled production of high-technology electronic, industrial or scientific products. Typical uses include biotechnology firms and computer component manufacturers.
- (g) Inoperable Vehicle Storage. Inoperable vehicle storage use type refers to premises devoted to the parking and/or storage of inoperable vehicles. Typical uses include buildings, storage yards, and auto wrecking facilities devoted to the parking and/or storage of inoperable vehicles.
- (h) Laundry Services. Laundry services use type refers to establishments primarily engaged in the provision of large scale laundering, dry cleaning or dyeing services other than those classified as personal services. Typical uses include laundry agencies, diaper services or linen supply services.
- (i) Mining Operations. Mining operations use type refers to the extraction and processing of rocks and minerals from the ground, but excludes uses classified under the petroleum gas extraction use type. Typical uses include the mining of precious metals and industrial minerals.
- (j) Petroleum Gas Extraction. Petroleum gas extraction use type refers to the extraction of oil and natural gas from the ground and the temporary storage of oil at the well site. Typical uses include oil and gas wells.
- (k) Salvage Yards. Salvage yards use type refers to the collection, storage or sale of rags, scrap metal or discarded material; or the collection, dismantling, storage, salvaging or demolition of vehicles, machinery or other materials. Typical uses include junkyards and auto wrecking facilities.
- (l) Wholesaling, Storage and Distribution. Wholesaling, storage and distribution use type refers to establishments or places of business primarily engaged in wholesaling, storage and bulk sale distribution including, but not limited to, open-air handling of material and equipment other than live animals and plants. The following are wholesaling, storage and distribution use types:

- (1) Light. Light refers to wholesaling, storage and warehousing services within enclosed structures. Typical uses include wholesale distributors, storage warehouses, or moving and storage firms.
- (2) Heavy. Heavy refers to distribution and handling of materials and equipment. Typical uses include monument sales, stone yards or open storage yards.

*[Amended by Ord. 906, provisions eff. 7/27/94; Ord. 1039, provisions eff. 11/1/98; Ord. 1433, provisions eff. 3/5/10; Ord. 1443, provisions eff. 7/26/10; Ord. 1494, provisions eff. 8/9/12; Ord. 1504, provisions eff. 3/8/13.]*

**Section 110.304.35 Agricultural Use Types.** Agricultural use types include the on-site production of plant and animal products by agricultural methods.

- (a) Agricultural Processing. Agricultural processing use type refers to the processing of foods and beverages from agricultural commodities, but excludes animal slaughtering. Typical uses include canning of fruits and vegetables, processing of dairy products, and the production of prepared meats from purchased carcasses.
- (b) Agricultural Sales. Agricultural sales use type refers to the sale of agricultural supplies such as feed, grain and fertilizers. Typical uses include feed and grain stores.
- (c) Animal Production. Animal production use type refers to raising of animals or production of animal products, such as eggs or dairy products, on an agricultural or commercial basis, but excluding commercial slaughtering. Typical uses include grazing, ranching, dairy farming, poultry farming and aquaculture.
- (d) Animal Slaughtering, Agricultural. Agricultural animal slaughtering use type refers to the slaughtering of animals to be used in making meat products on the same premises.
- (e) Animal Slaughtering, Commercial. Commercial animal slaughtering use type refers to the slaughtering of animals to be sold to others or to be used in making meat products on the same premises. Typical uses include slaughter houses.
- (f) Animal Slaughtering, Mobile. Mobile animal slaughtering use type refers to the slaughtering of animals to be sold to others or to be used in making meat products, within a fully-enclosed mobile slaughtering facility approved by the US Food and Drug Administration, for a duration of not more than fourteen (14) days off-site on any one parcel within a calendar year. Typical uses include mobile commercial slaughtering units.
- (g) Crop Production. Crop production use type refers to raising and harvesting of tree crops, row crops or field crops on an agricultural or commercial basis, including packing and processing.
- (h) Forest Products. Forest products use type refers to commercial timber harvesting uses and facilities. Typical uses include production of forest products, sawmills and lumber camps.
- (i) Game Farms. Game farms use type refers to boarding or breeding of exotic animals generally considered as wild or not normally domesticated.

- (j) Produce Sales. Produce sales use type refers to the on-site sale of farm produce and/or shell eggs from property owned, rented or leased by the farmers who grow or produce all or part of the farm produce or shell eggs offered for sale. Typical uses include produce stands, and fruit and vegetable stands.
- (1) Only products grown or produced on-site may be sold. A minimum lot size of forty (40) acres is required to establish produce sales as an allowed use in the General Rural (GR) regulatory zone. A valid business license pursuant to Chapter 25 of County Code must be obtained prior to any sales.
  - (2) Temporary produce sales, for a maximum duration of thirty (30) days in any one (1) calendar year, are allowed in all regulatory zones; however, a valid business license pursuant to Chapter 25 of County Code must be obtained prior to any sales.

*[Amended by Ord. 1023, provisions eff. 7/1/98; Ord. 1433, provisions eff. 3/5/10; Ord. 1540, provisions effective 9/5/14.]*

# Article 902

## DEFINITIONS

---

### Sections:

110.902.00	Purpose
110.902.05	Applicability
110.902.10	Rules of Interpretation
110.902.15	General Definitions

**Section 110.902.00 Purpose.** The purpose of this article, Article 902, Definitions, is to promote consistency and precision in the interpretation of the Development Code.

**Section 110.902.05 Applicability.** The meaning and construction of words and phrases as set forth therein shall apply throughout the Development Code, except where the context of such words and phrases clearly indicates a different meaning or construction. Definitions contained in the adopted version of the International Building Code shall be applicable except when in conflict with definitions contained in the Development Code, in which case the Development Code definitions shall control. Additional definitions which apply only within one article or section may be contained within that article or section.

*[Amended by Ord. 1356, provisions eff. 12/21/07.]*

**Section 110.902.10 Rules of Interpretation.** The following general rules of interpretation shall apply to the textual provisions of the Development Code:

- (a) **Article and Section References.** "Article" means an article of the ordinance codified in this Development Code unless some other ordinance is specifically mentioned. "Section" means a section of the ordinance codified in this Development Code unless some other ordinance is specifically mentioned. "Subsection" means a subsection of the section in which the term occurs unless some other section is specifically mentioned.
- (b) **Definitions.** The Director of Community Development shall have the authority to determine the applicable definition source (e.g. Webster's Collegiate Dictionary, International Building Code, International Fire Code, etc.) in the event of a conflict.
- (c) **Headings.** Section and subsection headings contained herein shall not be deemed to govern, limit, modify or in any manner affect the scope, meaning or intent of any provision of this Development Code.
- (d) **Illustrations.** In case of any differences of meaning or implication between the text of any section or article and any illustration, the text shall control.
- (e) **Gender.** The masculine gender includes the feminine and neuter.
- (f) **Number.** The singular number includes the plural, and the plural the singular.

- (g) Tense. The present tense includes the past and future tenses, and the future tense includes the present tense.
- (h) Oath and Affirmation. "Oath" includes "affirmation."
- (i) Shall and May. "Shall" is mandatory and "may" is permissive.
- (j) Signature or Subscription and Mark. "Signature" or "subscription" includes "mark" when the signer or subscriber cannot write, such signer's or subscriber's name being written near the mark by a witness who writes his own name near the signer's or subscriber's name; but a signature or subscription by mark can be acknowledged or can serve as a signature or subscription to a sworn statement only when two (2) witnesses so sign their own names thereto.
- (k) Statutory References. Whenever reference is made to any portion of the ordinance codified in this Development Code, or of any other ordinance of this County or of any law of this state, the reference applies to all amendments and additions now or hereafter made.

*[Amended by Ord. 873, provisions eff. 6/7/93; Ord. 1356, provisions eff. 12/21/07.]*

**Section 110.902.15 General Definitions.** Unless otherwise specified, the following definitions shall be applicable throughout the Development Code:

A-Weighted Sound Level. "A-weighted sound level" means the sound pressure level in decibels as measured on a sound level meter using the A-weighting filter network. Sounds measured with an A-weighted filter are abbreviated dba or db(a).

Accessory Structure. "Accessory structure" means a subordinate structure, the use of which is incidental to that of the main structure or potential main structure, or main dwelling.

Accessway. "Accessway" means vehicular ingress and egress to a property or use.

Adequate Public Facilities Management. "Adequate public facilities management" means a method for ensuring that the infrastructure necessary to support a development project will be available concurrently with the impacts of that development, without causing the level of service provided by said infrastructure to fall below adopted standards.

Affordable Housing. "Affordable housing" means housing which is affordable to low-income households (not exceeding eighty (80) percent of the County median income) or moderate-income households (not exceeding one-hundred twenty (120) percent of County median income).

Agricultural Building. "Agricultural building" is a structure designed and constructed to store farm implements and equipment or hay, grain, poultry, livestock, fruit and other agricultural products. Cold storage warehouses are not agricultural buildings. An agricultural building shall not be used for human habitation; processing, treating, packaging agricultural products; or as a place used by the public. The term shall not include dwellings, but does include greenhouses.

Approved Access. "Approved access" means a way or means of approach to a parcel from either an abutting public road or from a private road, street or right-of-way approved by the County.

Area of Shallow Flooding. "Area of shallow flooding" means a designated AO or AH Zone on the Flood Insurance Rate Maps. The base flood depths range from 1 to 3 feet, a clearly defined

channel does not exist, the path of flooding is unpredictable and indeterminate, and velocity flow may be evident.

Area Plan. "Area plan" means plans adopted by Washoe County which cover specific subareas of the unincorporated County. These plans provide basic information on the natural features, resources and physical constraints that affect the development of the planning area. They also specify detailed land use designations which are then used to review specific development proposals and to plan services and facilities.

Arterial. "Arterial" means a main highway that is a through street.

Attached Accessory Dwelling Unit. "Attached accessory dwelling unit" means a portion of or an addition to a single family main dwelling that has been designed or configured to be used as a separate and independent dwelling unit. An attached accessory dwelling unit includes, at a minimum, permanent kitchen and bathroom (i.e. a toilet) facilities, but may also include living, sleeping, and eating facilities, all separated from the main unit by walls or ceiling and accessed through a lockable exterior or interior door. The attached accessory dwelling unit shall not exceed forty (40) percent of the total square footage of the main dwelling unit or one thousand (1,000) square feet, whichever is smaller. The square footage of garages, crawl spaces, cellars, attics, or basements not designed for human occupancy shall not be included when calculating the total square footage of the main dwelling unit, unless such areas have been legally converted into habitable space. An attached accessory dwelling may be created by converting part of, or adding on to, an existing single family main dwelling. To be considered attached, the accessory dwelling unit must abut (i.e. be on the opposite side of a wall or ceiling) the habitable space of the main dwelling, or the ceiling of a garage attached to the main dwelling. Incidental and accessory features such as trellises, decks, patios, breezeways, or tool sheds will not be considered as establishing an attached structure/dwelling. Attached accessory dwellings are often referred to as guest rooms, guest apartments and "granny flats."

Base Flood Calculation. "Base flood calculation" means a flood having a one (1) percent chance of being equaled or exceeded in any given year. See "Flood, One Hundred (100) Year."

Basement. "Basement" means the portion of a building between floor and ceiling, which is partly below and partly above grade, but so located that the vertical distance from grade to the floor below is less than the vertical distance from grade to ceiling.

Bed and Breakfast Establishment. "Bed and breakfast establishment" means a single-family dwelling containing not more than five (5) guest rooms (no cooking facilities in guest rooms) where, for compensation, meals and lodging are provided.

Berm. "Berm" means a mound or embankment of earth.

Billboard. "Billboard" means an outdoor advertisement making a material or services known, such advertisement being remote from the point of sale of such material or service.

Board. "Board" refers to the Board of County Commissioners of Washoe County.

Boardinghouse. "Boardinghouse" means a building or portion thereof (not a motel) where, for compensation, meals and lodging are provided for more than three (3) guests.

Breezeway. A "breezeway" means a covered walkway, passageway, or corridor that has at least one (1) side entirely or partially open (except for necessary supporting columns), is not intended nor designed as habitable space, and which may or may not be connected to a structure.

**Building.** "Building" means any structure having a permanent foundation, a roof supported by columns or walls and used for the enclosure of persons, animals or chattels, but not including a trailer (mobile home) or tent.

**Building Envelope.** "Building envelope" means the area to be occupied by any structure and associated development.

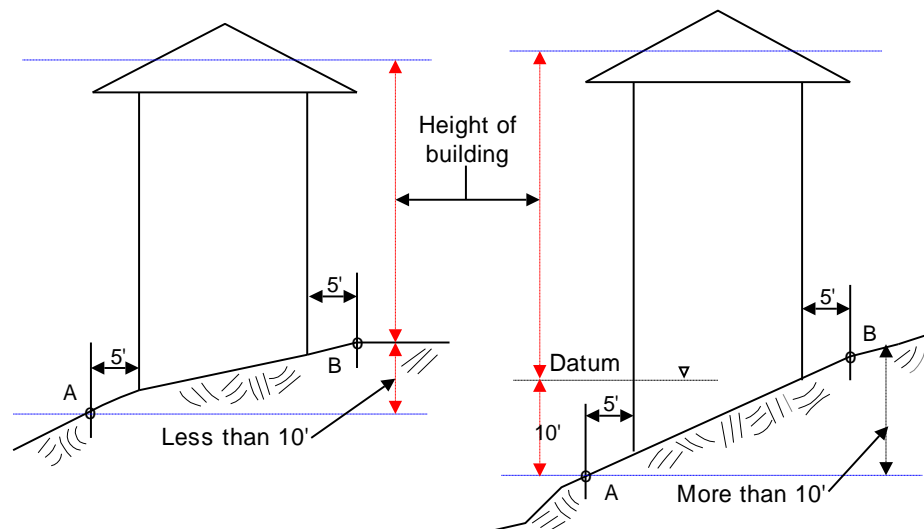
**Building Height.** "Building height" is the vertical distance above a reference datum measured to the highest point of the coping of a flat roof or to the deck line of a mansard roof or to the average height of the highest gable of a pitched or hipped roof. As illustrated in Figure 110.902.15.BH1, the reference datum shall be selected by either of the following, whichever yields a greater height of building:

- (a) The elevation of the highest adjoining sidewalk or ground surface within a five (5) foot horizontal distance of the exterior wall of the building when such sidewalk or ground surface is not more than ten (10) feet above lowest grade.
- (b) An elevation ten (10) feet higher than the lowest grade when the sidewalk or ground surface described in Item 1 above is more than ten (10) feet above lowest grade.

The height of a stepped or terraced building is the maximum height of any segment of the building.

Figure 110.902.15.BH1

**DETERMINATION OF BUILDING HEIGHT IN FEET**



Source: International Building Code Interpretation Manual.

**Building Intensity.** "Building intensity" refers to the bulk and concentration of physical development of uses permitted in a district. Lot coverage and height are examples of measures of building intensity.

**Cargo Container.** "Cargo Container" means an Intermodal Container, Sea-land Container, ISO Container, or Conex Box that is not designed for independent or "In-tow Trailer" highway use, and that was originally designed and constructed as a standardized, reusable storage and shipping vessel to be loaded on a truck, rail car or ship.

Cellar. "Cellar" means the portion of a building between floor and ceiling which is wholly or partially below grade and so located that vertical distance from grade to the floor below is equal to or greater than the vertical distance from grade to ceiling.

Certificated Water Rights. "Certificated water rights" means the right to put surface water or groundwater to beneficial use that is identified by a record document issued by the Nevada State Engineer after satisfactory proof of "perfection of application" for a permitted water right has been filed in accordance with NRS Chapter 533.

Child Care Institution. "Child care institution" means a facility which provides care and shelter during the day and night and provides developmental guidance to sixteen (16) or more children who do not routinely return to the homes of their parents or guardians. Such an institution may also provide, without limitation:

- (a) Education to the children according to a curriculum approved by the Department of Education;
- (b) Services to children who have been diagnosed as severely emotionally disturbed as defined in NRS 433B.080, including, without limitation, services relating to mental health and education; or
- (c) Emergency shelter to children who have been placed in protective custody pursuant to Chapter 432B of NRS.

Climatic Adaptive Planting Material. "Climatic adaptive planting material" means vegetation which is adapted to the climate or microclimate of the planting site and can flourish given the soil and water environment surrounding its roots. Microclimates, large bodies of water, soil drainage, soil pH, adequate moisture, the presence of soil salts, and both summer and winter wind affect a plant's ability to grow and survive.

Cluster or Clustered Development. See "Common Open Space Development."

Collector. "Collector" means the highest order of residential streets.

Commercial Coach. "Commercial coach" means structure without motive power which is designed and equipped for human occupancy for industrial, professional or commercial purposes.

Commercial Vehicle. "Commercial vehicle" means any vehicle designed, maintained or used for business, commercial, construction or industrial purposes that infringes on the residential character of residential districts; or for the transportation of property in furtherance of commercial enterprise; or having more than two (2) axles on the road; or, any vehicle in excess of eight thousand (8,000) pounds unladen weight. Commercial vehicles includes, but is not limited to: a cement truck, commercial tree-trimming equipment, construction equipment, dump truck, garbage truck, panel truck, semi-tractor, semi-trailer, stake bed truck, step delivery van, tank truck, tar truck, and other vehicles customarily used for commercial purposes.

Commission. "Commission" means the Washoe County Planning Commission.

Common Interest Community. "Common interest community" means real estate in which a person, by virtue of ownership of a unit, is obligated to pay for real estate other than that unit. "Ownership of a unit" does not include holding a leasehold interest of less than twenty (20) years in a unit, including options to renew.



Common Open Space Development. "Common open space development" means a technique whereby minimum lot sizes may be reduced below the regulatory zone requirements for residential and commercial use types, if compensating amounts of open space are provided within the same development (also called "cluster development"). This type of development allows for structures to be grouped on smaller lots, provided the total density for the development is not exceeded.

Company Town. "Company town" means employee housing and supporting commercial, office, recreational, professional, administrative and other ancillary uses associated with the functioning of an isolated industrial, mining, energy production, utilities, resorts or agricultural based use. This development may occur on a single parcel or multiple parcels.

Consistency. "Consistency" means free from variation or contradiction.

Constraints. "Constraints" mean limitations or actions which cannot be taken or which must be taken.

Construct. "Construct" includes "erect," "reconstruct," "alter," "move in" and "move upon."

Contiguous Parcel of Land. "Contiguous parcel of land" means a parcel of land either abutting directly on the boundary or separated by a street, alley, public right-of-way, creek, river or the right-of-way of a railroad or other public service corporation of another parcel of land.

**Continuum of Care Unit – A unit that is within a continuum of care facility that includes living and sleeping facilities as defined by the Development Code, the International Building Code, and/or the National Manufactured Home and Safety Standards Act.**

Corner Lot. See "Lot, Corner."

Cost. "Cost" means the price paid or what is given up in order to acquire, produce, accomplish or maintain anything.

County. "County" refers to the unincorporated area of Washoe County, Nevada.

County Standards. "County standards" means improvement standards set forth in this Development Code or adopted by the Board of County Commissioners.

Cross-Section. "Cross-section" is a drawing or photograph showing a cutting through something, especially at right angles to its axis. A cross section of a roadway usually indicates the width of the street, the number of lanes, and the width of any median, parkways, sidewalks and bicycle lanes.

Cumulative Impact. "Cumulative impact" means an effect which is a result of several related projects. Each increment from each project may not be noticeable but cumulative impacts may be noticeable when all increments are considered.

Cut. "Cut" means shaping of the land surface by removing soil, rock or other materials.

Decibel. "Decibel" means a unit for describing the amplitude of sound, equal to twenty (20) times the logarithm to the base ten (10) of the ratio of the pressure of the sound measured to the reference pressure, which is twenty (20) micropascals (20 micronewtons per square meter).

Density or Residential Density. "Density" or "residential density" means the number of dwelling units per gross acre for residential uses **as defined in Article 304, Use Classification System.**

Density Bonus. "Density bonus" means an increase in residential density over and above the density specified in the Development Code. A "density bonus unit" is one of the additional housing units built as a result of granting a density bonus.

Destination Resort. "Destination resort" is a self-contained development that provides for visitor-oriented accommodations and developed recreational facilities in a setting with high natural amenities. Visitor-oriented accommodations are overnight lodging and facilities designed for visitors, not permanent residents, and overnight lodging excludes RV and mobile home parks. Visitor accommodations must include meeting rooms and restaurants.

Detached Accessory Dwelling Unit. "Detached accessory dwelling unit" means a dwelling unit on the same lot as the main dwelling unit, but which is physically separated from the main dwelling unit. A detached accessory dwelling unit is designed and configured to provide independent living facilities for one or more persons, and includes, at a minimum, permanent kitchen and bathroom (i.e. toilet) facilities, but which may also include living, sleeping, and eating facilities. Except in the Medium Density Suburban (MDS) Regulatory Zone, a detached accessory dwelling unit shall not exceed fifteen hundred (1,500) square feet or fifty (50) percent of the total square footage of the main unit, whichever is smaller. In the Medium Density Suburban (MDS) Regulatory Zone, the detached accessory dwelling unit shall not exceed eight hundred (800) square feet or fifty (50) percent of the total square footage of the main dwelling unit, whichever is smaller. The square footage of garages, crawl spaces, cellars, attics, or basements not designed for human occupancy shall not be included when calculating the total square footage of the main dwelling unit, unless such areas have been legally converted into habitable space. Detached accessory dwelling unit are also commonly referred to as guest houses, second units, detached "granny flats" and caretaker's quarters.

Detached Accessory Structure. Except as provided for under Section 110.306.15, "detached accessory structure" means a building or structure on the same lot as the main residential structure and devoted to a use incidental to that main residential structure. A detached accessory structure is not designed, configured, or used for human habitation. The detached accessory structure may be connected to water and wastewater systems subject to the recordation of a deed restriction prohibiting the use of the structure as a dwelling unit. Installation of both a kitchen and a toilet in a detached accessory structure shall render the structure as a dwelling unit and subject to the accessory dwelling unit provisions contained in Article 306, Accessory Uses and Structures. Typical uses include storage buildings, sheds, barns, and detached garages.

Development. "Development" means any man-made change to improved or unimproved real estate including the construction of buildings or other structures, mining, dredging, filling, grading, paving, excavation, drilling operations or storage of equipment or materials.

Development Agreement. "Development agreement" means an agreement entered into by Washoe County and any person having a legal or equitable interest in land concerning the development of that land, pursuant to NRS Chapter 278.

Development Code. "Development Code" refers to Chapter 110 of the Washoe County Code which incorporates all County development-related ordinances and standards to ensure conformity with the Master Plan.

Division into Large Parcels. "Division into large parcels" means division of land if each proposed lot is at least forty (40) acres in area including roads and easements or at least one-sixteenth (1/16) of a section as described by a government land office.

Dog Training Center. "Dog training center" means a facility where dogs are boarded and trained for a long-term period of time.

Dog Training Services. "Dog training services" means the training of dogs with their owners or owners' designee, where both owner and dog participate in dog training.

Domestic Water. "Domestic water" means water supplied to individual dwellings and other land uses which is suitable for drinking.

Dormitory/Bunkhouse. "Dormitory/bunkhouse" means a building or a portion of a building where, for compensation or a benefit of employment, meals and lodging are provided.

Drainage, Natural. "Natural drainage" means any channel, swale or depression which conducts water as part of the natural drainage pattern of a site.

Driveway, Residential. "Residential driveway" means a private paved or unpaved area used for ingress or egress of vehicles, and allowing access extending from a property line to a building or other structure or facility on the subject parcel.

Dwelling. "Dwelling" means any building or portion thereof used exclusively for residential purposes but does not include hotels, clubs, boardinghouses or rooming houses, fraternity or sorority houses, **continuum of care facilities**, or institutions.

Dwelling Unit. "Dwelling unit" means any building or portion thereof, including a fabricated home or portion thereof, which contains at a minimum permanent kitchen and bathroom (i.e. a toilet) facilities **for residential use types as defined in defined in Article 304, Use Classification System**, but which may also include living, sleeping, and eating facilities as required by the Development Code, the International Building Code, and/or the National Manufactured Home and Safety Standards Act.

Electronic Notice. "Electronic notice" means any notice required by law that is transmitted via electronic means and which provides a method of verifying receipt to the sender that the receiver has received the notice. Electronic includes, but is not limited to, e-mail, facsimile transmission that identify the receiver and have a time and date stamp.

Endangered Species. "Endangered species" means any species listed as such in the Federal Register which is in danger of extinction throughout all or a significant portion of its range.

Engineer. "Engineer" means a Nevada registered engineer pursuant to NRS Chapter 625.

Ephemeral Stream. "Ephemeral stream" means a stream that flows only in direct response to precipitation, and thus discontinues its flow during dry seasons. Such flow is usually of short duration. Most of the dry washes of more arid regions may be classified as ephemeral streams.

Erosion. "Erosion" means the detachment and movement of soil from the land surface by wind, water or gravity.

Fabricated Home. "Fabricated home" means a dwelling unit fabricated in an off-site manufacturing facility for installation or assembly at the building site. Fabricated homes include modular homes, manufactured homes and mobile homes. The term "fabricated home" does not include a "recreational vehicle."

Facility for Transitional Living for Released Offenders. "Facility for transitional living for released offenders" means a residence that provides housing and a living environment for persons who have been released from prison and who require assistance with reintegration into the community, other than such a residence that is operated or maintained by a state or local government or an agency thereof. The term does not include a halfway house for recovering alcohol and drug abusers or a

facility for the treatment of abuse of alcohol or drugs. As used in this section, person who has been released from prison means:

- (a) A parolee.
- (b) A person who is participating in:
  - (1) A judicial program pursuant to NRS 209.4886 or 213.625; or
  - (2) A correctional program pursuant to NRS 209.4888 or 213.371.
- (c) A person who is supervised by the Division of Parole and Probation of the Department of Public Safety through residential confinement.
- (d) A person who has been released from prison by expiration of his or her term of sentence.

Family. "Family" means one (1) or more persons related by blood, marriage or legal adoption, or a group of six (6) or fewer unrelated persons and two additional persons who act as house parents or guardians, living together in a dwelling unit.

Fence. "Fence" means a wall or barrier constructed of boards, masonry, wire or any other material for the purpose of enclosing space or separating parcels of land. The term "fence" does not include retaining walls, but does include fence gates and gateposts.

Fill. "Fill" means shaping of the land surface by depositing soil, rock or other materials.

Final Map. "Final map" means the map or recording instrument for subdivisions of land as described in Article 610. A final map may also be used to record an approved parcel map at the option of either the subdivider or the County.

Fire Management. "Fire management" means activities required for the protection of resources and values from fire, or the use of fire to meet land management goals and objectives.

Flood or Flooding. "Flood" or "flooding" means a general and temporary condition of partial or complete inundation of normally dry land areas from the overflow of inland waters; or the unusual and rapid accumulation of runoff of surface waters from any source.

Flood, One Hundred (100) Year. "One hundred (100) year flood" also called the "base flood" means a flood having a one (1) percent chance of being equaled or exceeded in any given year. The boundaries of the one hundred (100) year flood include both the floodway and the flood fringe areas as shown on the Federal Emergency Management Agency (FEMA) Flood Insurance Rate Maps.

Flood Boundary and Floodway Maps (Floodway). "Flood Boundary and Floodway Maps" means the official maps on which the Federal Insurance Administration has delineated both the areas of flood hazard and the floodway.

Flood Elevation. "Flood elevation" means the elevation of the water surface of the base flood based on the National Geodetic Vertical Datum (NGVD) of 1929.

Flood Elevation, Increase In. "Increase in flood elevation" means an increase in flood elevation of more than one (1) foot at any point.

Flood Fringe. "Flood fringe" means the area of the one hundred (100) year flood, exclusive of the floodway, as shown on the Flood Insurance Rate Maps, and any area determined by the Floodplain Administrator to have a one (1) percent or greater probability of flood in a given year.

Flood Hazard Areas. "Flood hazard areas" means the area designated by the Federal Emergency Management Agency as being flooded by the base flood, and is designated as "Zone A, AO, AH, AE and A99" on the Flood Insurance Rate Maps.

Flood Height. "Flood height" means the depth of the floodwater during the one hundred (100) year flood, computed as the difference between the elevation of the one hundred (100) year floodwater surface and the elevation ground surface at a given point in the flooded area.

Flood Insurance Rate Maps (FIRM). "Flood Insurance Rate Maps" means the official maps on which the Federal Insurance Administration has delineated the flood hazard area, the limited flooding area and the risk premium zones applicable to the community.

Flood Insurance Study (FIS). "Flood Insurance Study" means the official report provided by the Federal Emergency Management Agency that includes flood profiles, the Flood Insurance Rate Maps, the Flood Boundary and Floodway Maps, and the water surface elevation of the base flood.

Floodplain. "Floodplain" means any land area susceptible to being inundated by water from any source.

Floodplain Administrator. "Floodplain Administrator" means the person appointed to administer and implement the provisions of Article 416 of this Development Code.

Floodplain Management. "Floodplain management" means the operation of an overall program of corrective and preventive measures for reducing flood damage.

Floodproofing. "Floodproofing" means any combination of structural and nonstructural additions, changes or adjustments to structures which reduce or eliminate flood damage to real estate or improved property, water and sanitary facilities, structures and their contents.

Floodway. "Floodway" means the channel of a river or other watercourse and the adjacent land areas that must be reserved in order to discharge the base flood without cumulatively increasing the water surface elevation more than one (1) foot. The floodway is delineated on the Flood Boundary and Floodway Maps.

Floor Area Ratio (FAR). "Floor area ratio" means the ratio of floor area permitted on a lot to the size of the lot. For example, a permitted FAR of 6.0 on a 10,000 square foot lot would allow a building with a total floor area of 60,000 square feet.

Front Line. "Front line" means the narrowest lot dimension fronting on a street.

Front Yards. See "Yard, Front."

Fuel Management. "Fuel management" means treating or controlling any vegetative material which adversely affects meeting fire management direction based upon resource management goals and objectives.

Fuelbreak. "Fuelbreak" means a strip of land, strategically placed for fighting anticipated fires, where hazardous fuels have been replaced with less burnable fuels (like grass). They divide fire-prone areas into smaller parcels for easier fire control and provide access for fire fighting.

Fuels. "Fuels" mean any material capable of sustaining or carrying a wildfire, usually natural material both live and dead.

Gaming. "Gaming" means any legally constituted gambling enterprise authorized under the laws of the State of Nevada other than slot machines when such machines are operated incidentally to the conduct of a licensed retail business.

Geothermal Resource. "Geothermal resource" means the natural heat of the earth and the energy associated with the natural heat, pressure and all dissolved or entrained minerals, but excluding hydrocarbons and helium, that may be obtained from the medium used to transfer that heat.

Governing Body. "Governing body" refers to the Washoe County Board of County Commissioners, unless otherwise clearly indicated.

Government Patent Easement. "Government patent easement" means an easement granted through a patent by the federal government for a public purpose, generally for public access and utility purposes.

Grade. "Grade" is the lowest point of elevation of the finished surface of the ground, paving or sidewalk within the area between the building and the property line or, when the property line is more than 5 feet from the building, between the building and a line 5 feet from the building.

Gradient. "Gradient" is the slope of a lot measured as the difference in elevation of finished grade between the midpoint of the front property line and the farthest opposite point of the lot depth.

Grading. "Grading" means removal of trees and shrubs with surface soil grading for smoothness.

Greenbelt. "Greenbelt" means an area where measures such as fuel management, land use planning and development standards are applied to mitigate fire, flood and erosion hazard. More traditionally, an irrigated landscaped buffer zone between development and wildlands, usually put to additional uses (e.g. golf course, park, etc.).

Gross Density. "Gross density" is the ratio of the total number of units to the total site area.

Ground Cover. "Ground cover" means low, dense-growing plants such as shrubs or vines, or inert materials such as rock or bark used to cover bare ground.

Ground Water Recharge. "Ground water recharge" means the infiltration of water into the earth. It may increase the total amount of water stored underground or only replenish the groundwater supply depleted through pumping or natural discharge. The natural or intentional infiltration of surface water into the Zone of Saturation (i.e. into the Ground Water). Also, the inflow of water to a ground water reservoir (Zone of Saturation) from the surface. Infiltration of precipitation and its movement to the water table is one form of natural recharge.

Group Foster Home. "Group foster home" means a natural person, partnership, firm, corporation or association who provides full-time care for seven (7) to fifteen (15) children who are:

- (a) Under eighteen (18) years of age;
- (b) Not related within the first degree of consanguinity or affinity to any natural person maintaining or operating the home; and received, cared for, and
- (c) Maintained for compensation or otherwise, including the provision of permanent free care.

Halfway House for Recovering Alcohol and Drug Abusers. "Halfway house for recovering alcohol and drug abusers" means a residence that provides housing and a living environment for recovering alcohol and drug abusers and is operated to facilitate their reintegration into the community, but does not provide any treatment for alcohol or drug abuse. The term does not include a facility for transitional living for released offenders.

Hallway. "Hallway" means a completely enclosed corridor, passageway, or other similar enclosed space that connects two (2) separate rooms, or ingress and egress points, and which is not intended nor designed as habitable space. A hallway shall not be used to connect two (2) separate dwelling units.

Hedge. "Hedge" means a dense row of plant material, such as shrubs, which are arranged to form a boundary or screen.

Highest Existing Grade. "Highest existing grade" means the highest natural elevation of the ground surface prior to construction next to the proposed walls of a structure.

Hillside Development. "Hillside development" means any development including individual lots which has slopes greater than fifteen (15) percent on twenty (20) percent or more of the site.

Historic Structure. "Historic structure" means any structure that is:

- (a) Listed individually in the National Register of Historic Places (a listing maintained by the Department of the Interior) or preliminarily determined by the Secretary of the Interior as meeting the requirements for individual listing on the National Register;
- (b) Certified or preliminarily determined by the Secretary of the Interior as contributing to the historic significance of a registered historic district or a district preliminarily determined by the Secretary of the Interior to qualify as a registered historic district;
- (c) Individually listed on a state inventory of historic places in states with historic preservation programs which have been approved by the Secretary of the Interior; or
- (d) Individually listed on a local inventory of historic places in communities with historic preservation programs that have been certified either:
  - (1) By an approved state program as determined by the Secretary of the Interior; or
  - (2) Directly by the Secretary of the Interior in states without approved programs.

Home for Individual Residential Care. "Home for individual residential care" means a home in which a natural person furnishes food, shelter, assistance and limited supervision, for compensation, to not more than two (2) persons with mental retardation or with disabilities or who are aged or infirm, unless the persons receiving those services are related within the third degree of consanguinity or affinity to the person providing those services. The term does not include:

- (a) A halfway house for recovering alcohol and drug abusers; or

- (b) A home in which supported living arrangement services are provided to assist individuals in maximizing his independence, including without limitation training and habitation services.

Hoop House/High Tunnel. "Hoop House" or "High Tunnel" means an enclosure that is used to cover and protect crops from sun, wind, excessive rainfall, or cold, to extend the growing season in an environmentally safe manner and having a life span of approximately 5 years. The coverings for these enclosures utilize flexible, not rigid materials.

Hotel. "Hotel" means a building occupied or intended to be occupied, for compensation, as the temporary residence for transient guests, primarily persons who have residence elsewhere, with an interior hall and lobby.

House Construction Factory. "House construction factory" means a building used for the construction of a single or multiple family dwelling, or the assembly of prefabricated single or multiple family dwelling components, or a combination of the above-described procedures, which results in a completed single or multiple family dwelling that can be transported to a lot for which service has been provided and which has been improved to accommodate the installation of the dwelling.

Household. "Household" means the person or persons occupying a housing unit.

Impervious Surface. "Impervious surface" means the surface through which water cannot penetrate, such as a roof, road, sidewalk or paved parking area.

Incorporated City. "Incorporated city" means a city incorporated under the laws of the State of Nevada.

Infrastructure. "Infrastructure" means the basic facilities such as roads, schools, power plants, transmission lines, transportation and communication systems on which the continuance and growth of a community depends.

Inoperable Vehicle. "Inoperable vehicle" means a vehicle, as defined by NRS 482.135, which:

- (a) Does not display current license plates (from any state) registered to the vehicle; and,
- (b) Is visibly damaged, wrecked, dismantled, in serious disrepair, deteriorating (rusting, rotting) or missing major components, or is being salvaged, parted out, prepared for crushing, shredding or scrapping; and,
- (c) Is not awaiting disposition instructions as a result of a collision.

Interior Lot. See " Lot, Interior."

Junkyard. "Junkyard" means any space for storage, abandonment or sale of junk, scrap material or similar waste, including the dismantling, demolition or abandonment of automobiles, other vehicles, machinery or parts. Junkyard shall be synonymous with salvage yard.

Kitchen. "Kitchen" means a room or space within a room equipped with such electrical or gas hook up that would enable the installation of a range, oven, or like appliance using 220/40 volts or natural gas (or similar fuels, such as propane) for the preparation of food, and also containing either or both a refrigerator and sink for the washing and/or disposal of food.



Landscaped Buffer. "Landscaped buffer" means an area of landscaping which separates two (2) distinct land uses, or a land use and a public right-of-way, and which acts to soften or mitigate the effects of one (1) land use on the other.

Landscaping. "Landscaping" means an area devoted to and maintained with a mixture of existing or new native or exotic plants such as turf, groundcover, shrubs, flowers, vines and trees, as well as additional complementary decorative features such as rocks, decorative pavement, fountains, pools, sculpture and decorative wall.

Ldn. "Ldn" means the average equivalent A-weighted sound level during a 24-hour day obtained by adding ten decibels to the hourly noise levels measured during the night (10:00 p.m. to 7:00 a.m.). In this way, Ldn takes into account the lower tolerance of people for noise during nighttime periods. Ldn noise level measurements are typically plotted onto a map to identify noise contours around a significant noise generator (e.g. freeways, airports, etc.).

Limited Gaming. "Limited gaming" means gaming enterprises authorized by the State Gaming Control Board whereby any person or gaming establishment may be issued a limited gaming license or have such conditions placed on a gaming license as necessary to protect the public interest.

Livestock. "Livestock" means:

- (a) All cattle or animals of the bovine species;
- (b) All horses, mules, burros and asses or animals of the equine species;
- (c) All goats or animals of the caprine species;
- (d) All swine or animals of the porcine species; and
- (e) All sheep or animals of the ovine species.

Loading Space. "Loading space" means an off-street space or berth on the same lot with a building or contiguous to a group of buildings for the temporary parking of vehicles while handling merchandise or materials.

Lot. "Lot" means a distinct part or parcel of land divided with the intent to transfer ownership or for building purposes, which abuts upon a permanent means of access and is assigned a single parcel number by the Washoe County Assessor's Office.

Lot, Corner. "Corner lot" means a lot situated at the intersection of two (2) or more streets or a lot that abuts one (1) street that changes directions, curves or turns around the lot with an interior angle of 135 degrees or less.

Lot, Interior. "Interior lot" means either (a) a lot bounded by a street on only one (1) side; or, (b) a lot situated at the intersection of (2) streets having an interior angle of one hundred thirty-five (135) degrees or more; or, (c) a lot that has continuous street frontage on only one (1) street and when the curvature of the lot along the street frontage exceeds one hundred thirty-five (135) degrees or more.

Lot, Through. "Through lot" means a lot bounded by two (2) streets that do not intersect at the boundaries of the lot.

**Lot Coverage.** "Lot coverage" is a measure of intensity of land use which represents the portion of a site that is impervious (i.e. does not absorb water). This portion includes, but is not limited to, all areas covered by buildings, parking structures, driveways, roads, sidewalks, and any areas of concrete asphalt. In the case of lumberyards, areas where lumber is stored also constitutes impervious surfaces.

**Lot Depth.** "Lot depth" is the distance between the front and rear lot lines measured in the mean direction of the side lines.

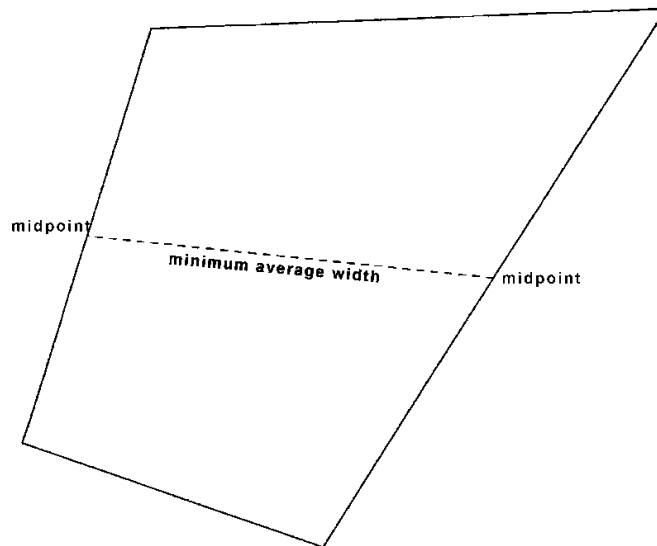
**Lot Size.** "Lot size" is the total square footage of a lot.

**Lot Width.** "Lot width" may be determined in one of the following three ways:

- (a) The distance between the side lot lines measured at right angles to the lot depth at a point midway between the front and rear line (see Figure 110.902.15LW1);

Figure 110.902.15.LW1

**DISTANCE BETWEEN SIDE LOT LINES**

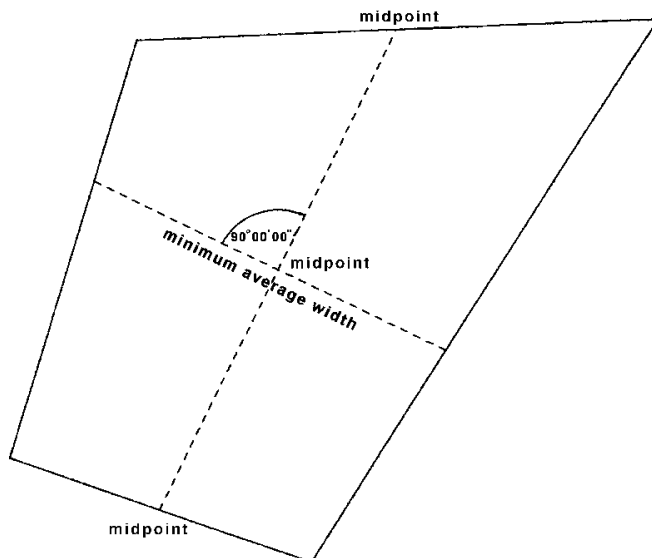


Source: George Lindesmith, PLS.

- (b) The distance between the midpoints of the side lot lines (see Figure 110.902.15LW2); or

Figure 110.902.15.LW2

**DISTANCE BETWEEN MIDPOINTS**



---

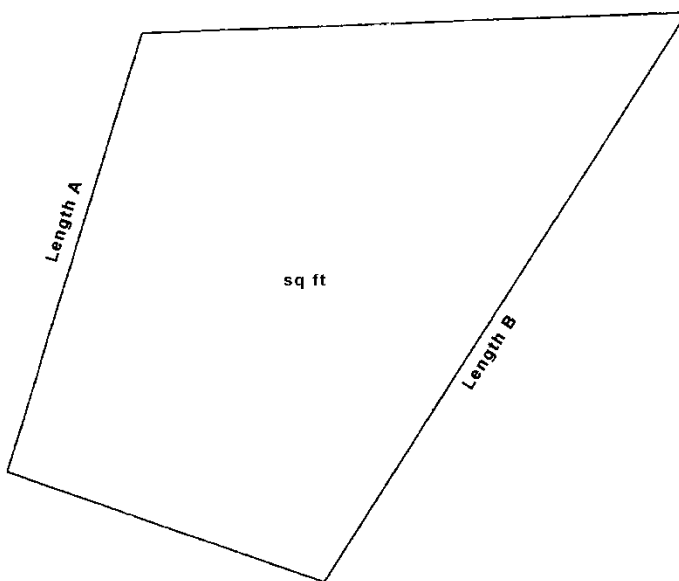
Source: George Lindesmith, PLS.

(c) Area/Average Depth = Average Width (see Figure 110.902.15LW3).

Figure 110.902.15.LW3

**AREA/AVERAGE WIDTH**

---



$$\text{Area/Average Depth} = \text{Average Width}$$
$$\text{Area Sq Ft} / \frac{\text{Length A} + \text{Length B}}{2} = \text{Average Width}$$

---

Source: George Lindesmith, PLS.

Lowest Floor. "Lowest floor" means the lowest floor of the lowest enclosed area (including basement). An unfinished or flood resistant enclosure, usable solely for parking of vehicles, building access or storage, in an area other than a basement area is not considered a building's

lowest floor, provided that such enclosure is not built so as to render the structure in violation of the applicable non-elevation design requirements.

Main Building. "Main building" means a building devoted to the principal use of the lot on which it is situated.

Major Subdivision. "Major subdivision" means a subdivision which contains five (5) or more lots, parcels, sites, units, plots or interests.

Manufactured Home. "Manufactured home" is a dwelling unit fabricated in an off-site manufacturing facility for installation or assembly at the building site, bearing the label certifying that it is built in compliance with the Federal Manufactured Housing Construction and Safety Standards in effect on the date of manufacture. A manufactured home is further defined by Nevada Revised Statute (NRS 489.113). A manufactured home is not a mobile home, nor a modular home.

Manufactured Home Park Site. "Manufactured home park site" is the entire tract of land used for a manufactured home park.

Manufactured Home Space. "Manufactured home space" is the area in a manufactured home park that is rented or leased to the occupant or occupants of a manufactured home.

Manufactured Home Subdivision. "Manufactured home subdivision" is a subdivision designed and/or intended for the sale of lots for siting manufactured homes.

Master Plan. "Master Plan" means the Washoe County Master Plan including both countywide elements and area plans, and a number of more detailed plans and studies related to the plans.

Median Income or County Median Income. "Median income" or "County median income" means the level of income in Washoe County whereby one-half (1/2) of the population earns greater than that level of income and one-half (1/2) of the population earns less than that level of income. Median income is determined on a yearly basis by the Department of Housing and Urban Development.

Military Installation. "Military installation" means a base or facility at which or from which the Air Force, Army, Coast Guard, Marine Corps, Navy, Air Force Reserve, Army Reserve, Coast Guard Reserve, Marine Corps Reserve, Navy Reserve or National Guard conducts exercises, maneuvers, operations, patrols or training.

Minor Subdivision. "Minor subdivision" means a subdivision which contains four (4) or less lots, parcels, sites, units, plots or interests.

Minute Action. "Minute action" means an official final decision made by the Board of County Commissioners, as recorded in the County Clerk's minutes.

Mobile Home. "Mobile home" is a transportable, fabricated home, designed to be used as a year-round residential dwelling and built prior to enactment of the Federal Manufactured Housing Construction and Safety Standards Act of 1974, which became effective June 15, 1976. A mobile home, further defined by Nevada Revised Statute (NRS 489.120), does not bear an insignia of approval that the dwelling unit was built in compliance with NRS Chapter 461. A mobile home is not a manufactured home, nor a modular home.

Mobile Home Park. "Mobile home park" means a tract of land under single ownership within which two (2) or more manufactured homes are occupied as residences on a permanent or semi-

permanent basis. The homes are located on spaces that are rented or leased. Special facilities for the common use of the occupants may be included.

Mobile Home Park Site. "Mobile home park site" is the entire tract of land used for a mobile home park.

Modular Home. "Modular home" is a dwelling unit fabricated in an off-site manufacturing facility for installation or assembly at the building site, bearing a label certifying that it is built in compliance with local International Building Code standards and further meets all requirements of County Code Chapter 100. Modular homes shall be subject to the same permit process as site-built homes. A modular home is not a manufactured home, but includes what is commonly referred to as a panelized home.

Motel. "Motel" means a building occupied or intended to be occupied, for compensation, as the temporary residence for transient guests, primarily persons who have residence elsewhere, with access to each room or unit from an outside porch or landing (whether or not such outside porch or landing is enclosed with screen, glass, plastic or similar material).

Mulch. "Mulch" means an organic or inorganic material applied to landscaped areas to help minimize evaporation from the soil, reduce weeds, moderate soil temperatures and slow erosion.

National Register of Historic Places. "National Register of Historic Places" means the listing maintained by the U.S. National Park Service of areas which have been designated as historically significant. The Register includes places of local and state significance, as well as those of value to the nation in general.

Natural Area. "Natural area" means a land area which is unimproved and not occupied by any structures or man-made elements, and set aside for the conservation of permanent, undisturbed open space.

Net Density. "Net density" is the ratio of the total number of units to the site area minus the area of the streets, parking areas and undevelopable land.

Nevada Natural Heritage Site. "Nevada Natural Heritage Site" means areas of land or water which either:

- (a) Have unusual flora, fauna, geological, scenic or similar features of scientific, educational or recreational interest; or
- (b) Retain some degree, or have re-established, a natural character (although it need not be completely undisturbed).

Non-municipal Air Strips and Glider Ports. "Non-municipal air strips and glider ports" means any Federal Aviation Administration (FAA) recognized public use landing area, privately owned and operated for scheduled or non-scheduled air transportation activities, where commercial uses and aviation related commerce can occur. Such use may include provision of landing privileges, hangar and tie-down lease/rental spaces, fuel and lubrication service, flight instruction, plane rental, mechanical repairs, or any other form of aviation commerce. Uses can also include scenic and sightseeing transportation service including helicopter rides, glider plane rides, air balloon rides, ultra-light and experimental aircraft activities and aircraft charters. The term "non-municipal air strips and glider ports" does not apply to public airports operated by any federal, state or local government agencies. The term also does not apply to a personal landing field that is used for fixed-wing aircraft or helicopter landing operations that are incidental and ancillary to established

allowable uses including, but not limited to, agricultural, ranching or mining activities, as long as no aviation related commerce is conducted at the personal landing fields.

NRS. "NRS" means Nevada Revised Statutes.

Open Space, Common. "Common open space" means the total land area, not individually owned or dedicated for public use, which is designed and intended for the common use or enjoyment of the residents or occupants of the development. Common open space includes swimming pools, putting greens and other recreational-leisure facilities; areas of scenic or natural beauty and habitat areas; hiking, riding or off-street bicycle trails; and landscaped areas adjacent to roads which are in excess of minimum required rights-of-way.

Open Space, Private. "Private open space" means the outdoor living area directly adjoining a dwelling unit or building which is intended for the private enjoyment of the residents or occupants of the dwelling unit or building and which is defined in such a manner that its boundaries are evident.

Open Space Use. "Open space use" means the current employment of land, the preservation of which use would conserve and enhance natural or scenic resources, protect streams and water supplies or preserve sites designated as historic pursuant to law, provided such land has a greater value for another use than for open space use.

Outdoor Storage. "Outdoor Storage" means the outside placement of items and materials that are incidental to the existing principal use of the property, except as provided for under Section 110.306.35(d), for a period of more than seventy-two (72) consecutive hours. Outdoor storage is further defined and regulated in the Washoe County Nuisance Code (WCC Sections 50.300 to 50.310, inclusive).

Parcel Map. "Parcel map" means a map for a minor subdivision.

Parcel of Land. "Parcel of land" means any unit or contiguous units of land assigned a single parcel number by the Washoe County Assessor's Office.

Parking Area. "Parking area" means an open area, excluding a street or other public right-of-way, used for the parking of vehicles and available to the public, whether for free or for compensation.

Permanent Employee Housing. "Permanent employee housing" means housing for employees of an isolated industrial, mining, railroad, highway, utilities or agricultural based use where those employees occupy the housing on a permanent basis year round. This development may occur on a single parcel or multiple parcels.

Permitted Water Rights. "Permitted water rights" means the right, in accordance with NRS Chapter 533 and as approved by the Nevada State Engineer, to appropriate public waters, or to change the place of diversion, manner of use or place of use of water already appropriated.

Perennial Stream. "Perennial stream" means a stream that flows from source to mouth throughout the year. This definition does not apply to a man-made watercourse constructed for irrigation, aesthetic or other purposes.

Person. "Person" means a firm, association, corporation, partnership or an individual.

Personal Landing Field. "Personal landing field" means a private use aviation landing area that is used for fixed-wing aircraft or helicopter landing operations that are incidental and ancillary to established allowable land uses including, but not limited to, agricultural, ranching or mining activities, as long as no aviation related commerce is conducted at the personal landing fields.

Personal landing fields do not engage in scheduled or non-scheduled air transportation activities, or in any scenic and sightseeing transportation service, or any other form of aviation commerce. The term "personal landing field" does not apply to "non-municipal air strips and glider ports," or to public airports operated by any federal, state or local government agencies.

Placement. "Placement" means the issuance of a set-up permit by the Building and Safety Department for a manufactured home or mobile home.

Planting Area. "Planting area" means an area devoted to or maintained predominantly with native or exotic plants including turf, groundcover, shrubs, flowers, vines and trees with a limited portion of complementary decorative features.

Plumbing Fixture. A "plumbing fixture" is a receptacle, device, or appliance that is supplied with water or which receives liquid or liquid-borne wastes, and which discharges into a drainage system to which it may be directly or indirectly connected.

Police Powers. "Police powers" means powers reserved to the states by the U.S. Constitution and delegated to cities and counties through the Nevada Constitution and the Nevada Revised Statutes; it is the authority to create and enforce ordinances and regulations that are not in conflict with general laws in order to promote the health, safety and general welfare of the public.

Print. "Print" means and includes a blueprint, photostat, direct process print or other copy which reproduces exactly the original drawing from which it was made.

Private Communication Antenna. "Private communication antenna" means any system of wires or poles or similar devices, excluding satellite dish antennas, used for the transmission or reception of electromagnetic waves by federally licensed amateur radio or citizen band radio operators, which system is external to or attached to the exterior of any building.

Private Garage. "Private garage" means a space intended for or used by the private automobiles of families resident upon the lot.

Public Garage. "Public garage" means a building for the repair, storage or hire of motor vehicles.

Rear Line. "Rear line" means the lot line most directly opposite the front line. A parcel of land may have only one (1) rear line.

Rear Yard. See "Yard, Rear."

Recreational Vehicle. "Recreational vehicle" means a vehicular structure that is primarily designed as temporary living quarters for travel, recreation and camping uses. A recreational vehicle can be self-propelled, mounted on, or towed by a separate vehicle.

Recreational Vehicle Park. "Recreational vehicle park" means a tract of land for the transient use by two or more recreational vehicles.

Regional Plan. "Regional Plan" means the Truckee Meadows Regional Plan.

Required Area. "Required area" means the minimum area of a lot or parcel necessary to permit its use under the provisions of the Development Code. Required area refers to:

- (a) Any lot shown as part of a subdivision recorded as a final plat in the manner provided by law;

- (b) Any parcel of land separated as a lot prior to the adoption and effective date of the original Washoe County Land Use Ordinance or the adoption of additional regulatory zones; or
- (c) Any lot or parcel of land which has an area not less than that required in the respective regulatory zone.

Residential Facility for Groups. "Residential facility for groups" means an establishment that furnishes food, shelter, assistance and limited supervision to a person with mental retardation or with a disability or a person who is aged or infirm. The term includes, without limitation, an assisted living facility. The term does not include:

- (a) An establishment which provides care only during the day;
- (b) A natural person who provides care for no more than two (2) persons in his or her own home;
- (c) A natural person who provides care for one (1) or more persons related to him or her within the third degree of consanguinity or affinity;
- (d) A halfway house for recovering alcohol and drug abusers; or
- (e) A facility funded by a division or program of the Department of Health and Human Services.

Revegetation. "Revegetation" means stabilizing disturbed or graded soils after construction by replanting with indigenous or natural appearing plants.

Ridgeline. "Ridgeline" means the topmost line connecting the series of highest elevation points of a ridge, running center and parallel to the long axis of the ridge and from which all water drains down.

Ridgeline, Significant. "Significant ridgeline" means the topmost line connecting the series of highest elevation points of a ridge, as identified on the Development Suitability map for each planning area included in Volume Two: Area Plans of the Washoe County Master Plan.

Right-of-Way. "Right-of-way" is a strip of land occupied or intended to be occupied by a publicly dedicated street, including the pavement, sidewalks and parkways, crosswalk, railroad, electric transmission line, oil or gas pipeline, water main, sanitary or storm sewer main, shade streets or other special use.

Riparian. "Riparian" means related to or located on the bank of a natural water course.

Riparian Habitat. "Riparian habitat" means the land and plants bordering a watercourse or lake.

Room. "Room" is space in a structure for living, sleeping, eating or cooking. Bathrooms, toilet compartments, closets, halls, storage or utility space, and similar areas, are not considered habitable space and therefore, not a room.

Roominghouse. "Roominghouse" means a building or portion thereof (not a motel) where, for compensation, lodging is provided for more than three (3) guests.

Runoff. "Runoff" means that part of precipitation which flows over the land without filtering into the soil.



Rural Regulatory Zones. "Rural regulatory zones" means the Low Density Rural Regulatory Zone, Medium Density Rural Regulatory Zone, and High Density Rural Regulatory Zone.

Satellite Dish Antenna. "Satellite dish antenna" means a device incorporating a reflective surface that is solid, open mesh or bar configured and is in the shape of a shallow dish, cone, horn or cornucopia. Such device shall be used to transmit and/or receive radio or electromagnetic waves between terrestrially and/or orbitally based uses. This definition is meant to include, but not be limited to, what are commonly referred to as satellite earth stations, TVROs (television reception only satellite dish antennas), and satellite microwave antennas.

Scenic Corridor. "Scenic corridor" means a roadway with recognized high quality visual amenities that include background vistas of mountains, open country or city.

School. "School" means an institution of learning which offers instructions in the several branches of learning required to be taught in the public schools of the State of Nevada.

Screen. "Screen" means to provide physical separation and complete visual obscuration of one area from another on all sides and in all seasons. Such separation must be at least six (6) feet high and includes, but is not limited to, the combination or individual use of a fence, decorative wall, structure, earth berm or dense landscaping.

Section 404 (Clean Water Act). "Section 404 (Clean Water Act)" means that section of the Clean Water Act delineating restrictions on the dredging and filling (only) of Wetlands in the United States. While Section 404 Permits are issued by the U.S. Army Corps of Engineers (COE), Section 404 regulations are written by the U.S. Environmental Protection Agency (EPA).

Section 404 (Clean Water Act) Permit. "Section 404 (Clean Water Act) Permit" means the Wetland dredge and fill permit issued under regulations written to conform to Section 404 of the Clean Water Act. The permit is actually granted by the U.S. Army Corps of Engineers (COE).

Sedimentation. "Sedimentation" means the act or process of depositing sediment from suspension in water. All the processes whereby particles of rock material are accumulated to form sedimentary deposits. Sedimentation, as commonly used, involves not only aqueous but also glacial, aeolian, and organic agents. (Water Quality) Letting solids settle out of wastewater by gravity during treatment.

Service Standards. "Service standards" means a measurement of municipal services used to monitor or compare services provided by the County and other service providers.

Setback. "Setback" means the required distance between every structure and the lot line of the lot on which the structure(s) is located.

Shrubs. "Shrubs" means a self-supporting woody species of plants characterized by persistent stems and branches springing from the base.

Side Yard. See "Yard, Side."

Site-Built Home. "Site-built home" means a dwelling unit where the major components are fabricated and assembled at the building site or a dwelling unit constructed at a house construction factory located within Washoe County. Site-built homes shall comply with Washoe County building codes and other adopted local codes.

Slope. "Slope" means an inclined ground surface expressed as a ratio of horizontal distance to vertical distance.

Slaughter House, Agricultural. "Agricultural slaughter house" means a building used as an ancillary structure on a farm or ranch for the non-profit slaughtering of animals raised on-site and the processing and storage of animal products and waste that results from a slaughtering process.

Slaughter House, Commercial. "Commercial slaughter house" means a building used for the for-profit slaughtering of animals that are either raised on-site or transported to the building and the processing and storage of animal products and waste that results from a slaughtering process.

Solar Energy. "Solar energy" means energy derived from the sun's rays.

Specific Plan. "Specific plan" means a plan prepared for a portion of an area plan which prescribes uses and development standards for that portion.

Story. "Story" is that portion of a building included between the upper surface of any floor and the upper surface of the floor next above, except that the topmost story shall be that portion of a building included between the upper surface of the topmost floor and the ceiling or roof above. If the finished floor level directly above a usable or unused under-floor space is more than six (6) feet above grade as defined herein for more than fifty (50) percent of the total perimeter or is more than twelve (12) feet above grade as defined herein at any point, such usable or unused under-floor space shall be considered as a story.

Story, First. "First story" is the lowest story in a building which qualifies as a story, as defined herein, except that a floor level in a building having only one (1) floor level shall be classified as a first story, provided such floor level is not more than four (4) feet below grade, as defined herein, for more than fifty (50) percent of the total perimeter, or more than eight (8) feet below grade, as defined herein, at any point.

Stream. "Stream" means a general term for a body of flowing water; natural watercourse containing water at least part of the year. In hydrology, the term is generally applied to the water flowing in a natural channel as distinct from a canal. Some classifications of streams include, in relation to time:

- (a) Ephemeral Streams. Streams that flow only in direct response to precipitation and whose channel is at all times above the water table.
- (b) Intermittent or Seasonal Streams. Streams that flow only at certain times of the year when it receives water from springs, rainfall, or from surface sources such as melting snow.
- (c) Perennial Streams. Streams that flow continuously.

Streambanks. "Streambanks" mean the usual boundaries, not the flood boundaries, of a stream channel. Right and left banks are named facing downstream (in the direction of flow).

Street. "Street" means a public right-of-way or easement which affords a primary means of access to abutting property.

Structure. "Structure" means a walled and roofed building or manufactured home, including a gas or liquid storage tank that is primarily above ground. "Structure" does not include a tent, trailer or vehicle.

Subdivider. "Subdivider" means any person or persons, firm, corporation, partnership or association that causes land to be divided into a subdivision for himself or itself or for others. A consultant, engineer or surveyor who does not hold title to the land is not considered a subdivider.

Subdivision. "Subdivision" means any land, vacant or improved, which is divided or proposed to be divided vacant or improved, into two (2) or more lots, parcels, sites, units or plots for the purposes of any transfer, development or any proposed transfer or development unless exempted by one of the following provisions:

- (a) "Subdivision" does not apply to any division of land which creates lots, parcels, sites, units or plots of land each of which comprise forty (40) or more acres of land, or 1/16 of a section, including roads and roadway easements, which is subject to the provisions of Article 612.
- (b) Any joint tenancy or tenancy in common shall be deemed a single interest in land.
- (c) Unless a method of disposition is adopted for the purpose of evading this Development Code or would have the effect of evading this Development Code, the term "subdivision" does not apply to:
  - (1) Any division of land which is ordered by any court in this state or created by operation of law;
  - (2) A lien, mortgage, deed of trust or any other security instrument;
  - (3) A security or unit of interest in any investment trust regulated under the laws of this state or any other interest in an investment entity;
  - (4) Cemetery lots; or
  - (5) An interest in oil, gas, minerals or building materials which are not or hereafter severed from the surface ownership or real property.
- (d) "Subdivision" does not apply to creation of parcels of more than (10) acres for agricultural purposes if a street, road or highway opening, widening or easement of any kind is not involved.
- (e) For the purposes of the definition "subdivision," any interest in land created or established as joint tenancy or a tenancy in common shall be a single interest and not an interest in common, if, and only if, the use or development or the proposed use or development of such land would not be a subdivision as defined in this section if undertaken or proposed by a single entity, whether corporate or an individual. See "Major Subdivision" and "Minor Subdivision."

Substantial Improvement. "Substantial improvement" means any repair, reconstruction, additions or other improvement of a structure, the cost of which equals or exceeds fifty (50) percent of the market value of the structure either before the improvement or addition is started or, if the structure has been damaged, before the damage occurred, regardless of the actual repair work performed. For the purpose of this definition, "substantial improvement" is considered to occur when the first alteration of any wall, ceiling, floor or other structural part of the building commences, whether or not that alteration affects the external dimensions of the structure. "Substantial improvement" does not include:

- (a) Any project for improvement of a structure to comply with existing state or local health, sanitary or safety code specifications; or
- (b) Any alteration of a structure listed on the National Register of Historic Places or a State Inventory of Historic Places.

- (1) "Substantial improvement" is considered to occur when the first alteration of any wall, ceiling, floor or other structural part of the building commences, whether or not that alteration affects the external dimensions of the structure; and
- (2) "Substantial improvement" does not include improvement of a structure solely to comply with existing state or local health, sanitary or safety code specifications, or any alteration of a structure listed on the National Register of Historic Places or a State Inventory of Historic Places.

Suburban Regulatory Zones. "Suburban regulatory zones" means the Low Density Suburban Regulatory Zone, Medium Density Suburban Regulatory Zone, and High Density Suburban Regulatory Zone.

Surface Runoff. "Surface runoff" means water that results from precipitation which is not absorbed by the soil, evaporated into the atmosphere or entrapped by ground surface depressions and vegetation, and which flows over the ground surface to adjoining properties, storm drains or waterways.

Surveyor. "Surveyor" means a land surveyor registered pursuant to NRS Chapter 625.

Temporary Employee Housing. "Temporary employee housing" means housing for employees of an isolated industrial, mining, railroad, highway, utilities or agricultural based use where those employees occupy the housing on a seasonal basis not more than six (6) months per year. This development may occur on a single parcel or multiple parcels.

Tentative Parcel Map. "Tentative parcel map" means a map which is filed pursuant to Article 606, conforming to the standards and requirements set forth therein.

Tentative Subdivision Map. "Tentative subdivision map" means a preliminary map made to show lot lines, roads, buildings, rights-of-ways and other design factors of a proposed subdivision.

Terrace. "Terrace" means a relatively level step constructed in the face of a graded slope surface for drainage, maintenance and/or development purposes.

Threatened Species. "Threatened species" means any species which is likely to become an endangered species within the foreseeable future and which has been designated in the Federal Register as a threatened species.

Through Lot. See "Lot, Through."

Topography. "Topography" means configuration of a surface, including its relief and the position of natural and man-made features.

Topsoil. "Topsoil" means the upper part of the soil profile that is relatively rich in humus, known in agronomy as the "A-horizon."

Total Developed Land Area. "Total developed land area" means that portion of a property which is disturbed for development purposes including, but not limited to, areas covered by buildings, landscaping, impervious surfaces and other areas graded or excavated to support the development.

Trailer Coach. See "Mobile Home."

Travel Trailer. See "Recreational Vehicle."

Tree. "Tree" means a large, woody perennial plant with one main trunk or multiple trunks, and many branches.

Unladen Weight. "Unladen weight" means the weight of any vehicle without load, but fully equipped with accessories and appliances belonging to and used by such vehicle in the transportation of persons or property.

Uplighting. "Uplighting" means a source of light where the center of the light beam is at an angle greater than the horizontal.

Urban Regulatory Zones. "Urban regulatory zones" means the Low Density Urban Regulatory Zone, Medium Density Urban Regulatory Zone, and High Density Urban Regulatory Zone.

Use or Land Use. "Use" or "land use" means the primary or primary and secondary use(s) of land such as single family residential, multi-family residential, commercial, industrial, agriculture, etc. The description of a particular land use should convey the dominant character of a geographic area and, thereby, establish types of activities which are appropriate and compatible with primary use(s).

Used. "Used" includes "arranged," "designed" or "intended to be used."

Vegetation, Native. "Native vegetation" means plants that grow naturally in Washoe County, Nevada and have adapted to the climate, soil, location and rainfall patterns of their area.

Vegetation, Natural. "Natural vegetation" means plants which exist on a site before clearing or grading.

Viewshed. "Viewshed" means the surface area that can be seen from a specific viewpoint.

Vista. "Vista" means an area of high ground or projecting earth from which there is a dominant and unobstructed view of surrounding areas.

Watercourse. "Watercourse" means any natural or artificial watercourse, stream, river, creek, ditch, channel, canal, conduit, culvert, drain, gully, ravine, arroyo or wash in which water flows in a definite channel, bed or bank.

Waters of the State (Defined) (Nevada Revised Statutes 445A.415). "Waters of the State" means all waters situated wholly or partly within or bordering upon the State of Nevada, including, but not limited to:

- (a) All streams, lakes, ponds, impounding reservoirs, marshes, water courses, waterways, wells, springs, irrigation systems and drainage systems; and
- (b) All bodies or accumulations of water, surface and underground, natural or artificial.

Wetland. "Wetland" means an area that is periodically inundated or saturated by surface or groundwater on an annual or seasonal basis, that displays hydric soils, and that typically supports or is capable of supporting hydrophytic vegetation.

Wetlands (COE and EPA) (Regulatory). "Wetlands (COE and EPA)" means the U.S. Army Corps of Engineers (COE) and the U.S. Environmental Protection Agency (EPA) have adopted a regulatory definition for administering the Section 404 permit program of the Clean Water Act (CWA) as follows: [Wetlands are] those areas that are inundated or saturated by surface or

groundwater at a frequency and duration sufficient to support, and that under normal circumstances do support, a prevalence of vegetation typically adapted for life in saturated soil conditions. Wetlands generally include swamps, marshes, bogs and similar areas.

Wetlands (NRCS) (Technical). "Wetlands (NRCS)" mean the (U.S. Department of Agriculture) Natural Resources Conservation Service (NRCS) [formerly the Soil Conservation Service (SCS)] uses the following definition for identifying wetlands on agricultural land in assessing farmer eligibility for U.S. Department of Agriculture program benefits under the "Swampbuster" provision of the Food Security Act (FSA) of 1985. As amended in 1990, the FSA states that the term "wetland," except when such term is part of the term "converted wetland," means land that:

- (a) Has a predominance of hydric soils;
- (b) Is inundated or saturated by surface or ground water at a frequency and duration sufficient to support a prevalence of hydrophytic vegetation typically adapted for life in saturated soil conditions; and
- (c) Under normal circumstances does support a prevalence of such vegetation.

Will Serve Letter. "Will serve letter" means a letter from a utility purveyor assuring the provision of services for proposed development.

Yard. "Yard" means an open space on the same lot or parcel used with the building, extending from the setback line to the nearest lot line, to be unoccupied and unobstructed except as provided in the Development Code.

Yard, Front. "Front yard" means a yard lying between the setback line and the front lot line and extending across the full width of the lot or parcel. In the case of either a corner lot or an interior lot with multiple street frontages, all yards abutting streets, other than collectors or arterials, shall be considered as front yards.

Yard, Rear. "Rear yard" means a yard between the setback line and the rear lot line and extending across the full width of the lot or parcel. On a corner lot, the side opposite the shortest front yard width is considered the rear yard of the lot.

Yard, Side. "Side yard" means a yard lying between the setback line and the side lot line and extending from the front yard line to the rear yard line.

Zone or Regulatory Zone. "Zone" or "Regulatory Zone" means a portion of the unincorporated area of Washoe County which is specifically designated in Article 106 of this Development Code.

*[Amended by Ord. 867, provisions eff. 5/27/93; Ord. 873, provisions eff. 6/7/93; Ord. 890, provisions eff. 11/29/93; Ord. 893, provisions eff. 3/4/94; Ord. 899, provisions eff. 5/31/94; Ord. 916, provisions eff. retro. to 5/26/93; Ord. 942, provisions eff. 4/1/96; Ord. 965, provisions eff. 10/1/96; Ord. 1076, provisions eff. 10/1/99; Ord. 1088, provisions eff. 1/28/00; Ord. 1089, provisions eff. retro to 1/1/00; Ord. 1091, provisions eff. 4/28/00; Ord. 1102, provisions eff. 8/11/00; Ord. 1112, provisions eff. 2/15/01; Ord. 1140, provisions eff. 12/31/01; Ord. 1156, provisions eff. 3/22/02; Ord. 1234, provisions eff. 05/21/04; Ord. 1238, provisions eff. 6/4/04; Ord. 1288 and 1290, provisions eff. 3/24/06; Ord. 1347, provisions eff. 11/2/07; Ord. 1356, provisions eff. 12/21/07; Ord. 1447, provisions eff. 9/9/10; Ord. 1451, provisions eff. 1/1/11; Ord. 1485, provisions eff. 3/27/12; Ord. 1504, provisions eff. 3/8/13; Ord 1584, provisions eff 8/19/16; Ord 1587, provisions eff. 11/25/16, Ord. 1640, provisions eff 7/19/19.]*

DRAFT: April 20, 2021

Clean COPY  
INFORMATION ONLY

\*\*\*\*\*

Notice: Per NRS 239B.030, this document does not contain personal information as defined in NRS 603A.040

**Summary: AMENDS WASHOE COUNTY CODE CHAPTER 110 (DEVELOPMENT CODE) ARTICLES 304 AND 902 TO BETTER DEFINE THE CONTINUUM OF CARE USE TYPE**

BILL NO. \_\_\_\_\_

ORDINANCE NO. \_\_\_\_\_

Title:

An ordinance amending the Washoe County Code at Chapter 110 (Development Code) within Articles 304 and 902 by amending various definitions in order to better define the Continuum of Care Facility use type as a commercial use type; clarify that the application of residential density does not apply to Continuum of Care Facilities; specifically exempt Continuum of Care Facilities from the definition of "dwelling" and "dwelling unit"; and create a definition for Continuum of Care Unit; and other matters necessarily connected therewith and pertaining thereto.

WHEREAS:

- A. This Commission desires to amend Articles 304 and 902 of the Washoe County Development Code (Chapter 110) in order to better define the Continuum of Care Facility use type as a commercial use type, clarify that the application of residential density does not apply to Continuum of Care Facilities, and better define "dwelling," "dwelling unit" and "continuum of care unit."
- B. The Washoe County Planning Commission initiated the proposed amendments to Washoe County Code Chapter 110, Development Code, by Resolution Number 21-04 on May 4, 2021; and

**DRAFT: April 20, 2021**

- C. The amendments and this ordinance were drafted in concert with the District Attorney, and the Planning Commission held a duly noticed public hearing for WDCA21-0003 on May 4, 2021, and adopted Resolution Number 21-04 recommending adoption of this ordinance; and
- D. Following a first reading and publication as required by NRS 244.100(1), and after a duly noticed public hearing, this Commission desires to adopt this Ordinance; and
- E. This Commission has determined that this ordinance is being adopted pursuant to requirements set forth in Chapter 278 of NRS, therefore it is not a "rule" as defined in NRS 237.060 requiring a business impact statement.

THE BOARD OF COUNTY COMMISSIONERS OF WASHOE COUNTY DOES HEREBY ORDAIN:

SECTION 1. Article 304 of the Development Code, Chapter 110 of the Washoe County Code, is hereby amended as follows:

## *Article 304*

# ***USE CLASSIFICATION SYSTEM***

---

**Sections:**

<b>110.304.00</b>	<b>Purpose</b>
<b>110.304.05</b>	<b>Classification Rules</b>
<b>110.304.10</b>	<b>Authority and Responsibility</b>
<b>110.304.15</b>	<b>Residential Use Types</b>
<b>110.304.20</b>	<b>Civic Use Types</b>
<b>110.304.25</b>	<b>Commercial Use Types</b>
<b>110.304.30</b>	<b>Industrial Use Types</b>
<b>110.304.35</b>	<b>Agricultural Use Types</b>

**Section 110.304.00 Purpose.** The purpose of this article, Article 304, Use Classification System, is to classify uses according to a limited number of use types on the basis of common functional, product or compatibility characteristics, thereby providing a basis for regulation of uses in accordance with criteria which are directly relevant to the public interest. These provisions shall apply throughout the Development Code.



DRAFT: April 20, 2021

**Section 110.304.05 Classification Rules.** Uses will be classified into use types based upon the descriptions in Section 110.304.15 through Section 110.304.35, inclusive. The classifications shall comply with the provisions of this section.

- (a) Types of Uses Regulated. Only principal uses are included within the use classification system. Accessory uses and temporary uses are regulated by Article 306, Accessory Uses and Structures, and Article 310, Temporary Uses and Structures, respectively.
- (b) Typical Uses within Use Types. The description of the use types in this article often contain usual and customary uses classified within that use type. These usual and customary uses are examples and are not meant to include all uses that may properly be classified within the use type.
- (c) Classifying New Uses. New uses shall be classified into use types based upon the description of the use types and upon characteristics similar to other uses already classified within the use type, subject to the applicable provisions of subsection (d) of the section. The North American Industry Classification System shall be used to help define new uses when deemed appropriate by the Director of Community Development.
- (d) Classifying Several Uses on the Same Parcel. The principal uses conducted on a single parcel shall be classified separately.

*[Amended by Ord. 875, provisions eff. 8/3/93; Ord. 1433, provisions eff. 3/5/10.]*

**Section 110.304.10 Authority and Responsibility.** The Director of Community Development shall have the following authority and responsibilities with respect to the use classification system:

- (a) Classifying Uses. The Director of Community Development shall have the authority to classify uses according to use types or to determine that a use does not fit under any use type and, therefore, is not permitted. The classification of a use is an administrative decision without notice and hearing, except that an applicant can appeal the decision pursuant to Article 808, Administrative Permits.
- (b) List of Uses. The Director of Community Development shall develop and maintain an administrative list of common uses and the use types into which they are classified.

**Section 110.304.15 Residential Use Types.** Residential use types include the occupancy of living accommodations on a wholly or primarily non-transient basis but exclude institutional living arrangements providing twenty-four-hour skilled nursing or medical care and those providing forced residence, such as asylums and prisons.

- (a) Family Residential. The family residential use type refers to the occupancy of living quarters by one (1) or more families. The following are family residential use types:
  - (1) Attached Accessory Dwelling Unit. An attached accessory dwelling unit is a portion of or an addition to a single family main dwelling that has been designed or configured to be used as a separate and independent dwelling unit. An attached accessory dwelling unit includes, at a minimum, permanent kitchen and bathroom (i.e. a toilet) facilities, but may also include living, sleeping, and eating facilities, all separated from the main unit by walls or ceilings and accessed through a lockable exterior or interior door. The attached accessory dwelling unit shall not exceed forty (40) percent of the total square footage of the main dwelling unit or 1,000 square feet, whichever is smaller. The square footage of garages, crawl spaces, cellars, attics, or basements not designed for human

DRAFT: April 20, 2021

occupancy shall not be included when calculating the total square footage of the main dwelling unit, unless such areas have been legally converted into habitable space. An attached accessory dwelling may be created by converting part of, or adding on to, an existing single family main dwelling. To be considered attached, the accessory dwelling unit must abut (i.e. be on the opposite side of a wall or ceiling) the habitable space of the main dwelling, or the ceiling of a garage attached to the main dwelling. Incidental and accessory features such as trellises, decks, patios, breezeways, or tool sheds will not be considered as establishing an attached structure/dwelling. Typical uses include guest rooms, guest apartments and "granny flats."

- (2) Detached Accessory Dwelling Unit. A detached accessory dwelling unit refers to a dwelling unit on the same lot as the main dwelling unit, but which is physically separated from the main dwelling unit. A detached accessory dwelling unit is designed and configured to provide independent living facilities for one or more persons, and includes, at a minimum, permanent kitchen and bathroom (i.e. a toilet) facilities, but which may also include living, sleeping, and eating facilities. Except in the Medium Density Suburban (MDS) Regulatory Zone, a detached accessory dwelling unit shall not exceed fifteen hundred (1,500) square feet or fifty (50) percent of the total square footage of the main dwelling unit, whichever is smaller. In the Medium Density Suburban (MDS) Regulatory Zone, the detached accessory dwelling unit shall not exceed eight hundred (800) square feet or fifty (50) percent of the total square footage of the main dwelling unit, whichever is smaller. The square footage of garages, crawl spaces, cellars, attics, or basements not designed for human occupancy shall not be included when calculating the total square footage of the main dwelling unit, unless such areas have been legally converted into habitable space. Typical uses include guest houses, second units, "granny flats" and caretaker's quarters.
- (3) Detached Accessory Structure. A detached accessory structure refers to a building or structure on the same lot as the main residential structure and devoted to a use incidental to that main residential structure. A detached accessory structure is not designed, configured, or used for human habitation. The detached accessory structure may be connected to water and wastewater systems subject to the recordation of a deed restriction prohibiting the use of the structure as a dwelling unit. Installation of both a kitchen (as defined in Article 902) and a toilet in a detached accessory structure shall render the structure as a dwelling unit and subject to the accessory dwelling unit provisions. Typical uses include storage buildings and sheds, barns and detached garages.
- (4) Duplex. Duplex refers to the use of a parcel for two (2) dwelling units in a single structure.
- (5) Multi-Family. Multi-family refers to the use of a parcel for three (3) or more dwelling units within one (1) or more buildings, including condominium developments.
- (6) Single Family, Attached. Single family, attached refers to two (2) or more dwelling units constructed with a common or abutting wall with each located on its own separate parcel.
- (7) Single Family, Detached. Single family, detached refers to the use of a parcel for only one (1) dwelling unit.

DRAFT: April 20, 2021

- (b) Manufactured Home Parks. Manufactured home parks use type refers to the occupancy of a dwelling unit defined as a mobile home or a manufactured home and which is located in a site defined as a manufactured home park.
- (c) Group Home. Group home use type refers to the occupancy of a single family dwelling by and the care for a group of ten (10) or fewer persons on a weekly or longer basis who are not defined as a family. The number of persons who reside in a group home excludes any caregivers and their family who also reside in the single family residence.
  - (1) This term includes specifically the following uses:
    - (i) Residential facility for groups; or
    - (ii) Home for individual residential care;
    - (iii) Halfway house for recovering alcohol or drug abusers;
    - (iv) Group foster home.
  - (2) The term group home does not include a child care institution or a facility for transitional living for released offenders.

*[Amended by Ord. 875, provisions eff. 8/3/93; Ord. 959, provisions eff. 7/26/96; Ord. 1088, provisions eff. 1/28/00; Ord. 1156, provisions eff. 3/22/02; Ord. 1451, provisions eff. 1/1/11; Ord. 1485, provisions eff. 3/27/12.]*

**Section 110.304.20 Civic Use Types.** Civic use types include the performance of utility, educational, cultural, medical, protective, governmental and other uses which are strongly vested with public or social importance.

- (a) Administrative Services. Administrative services use type refers to consulting, record keeping, clerical or public contact services that deal directly with the citizen, together with incidental storage of necessary equipment and vehicles.
- (b) Child Care. Child care use type refers to the use of a building or a portion thereof for the daytime care of individuals under eighteen (18) years of age. Child care use types are subject to the regulations and permission of the Washoe County Department of Social Services. This use type includes nursery schools, preschools, daycare centers and similar uses, but excludes those classified under education. The following are child care use types:
  - (1) Family Daycare. Family daycare refers to daycare services provided for six (6) or fewer full-time children, including those of the child care facility licensee who are under the age of seven (7) years, except that care may also be provided for up to three (3) additional part-time children for three (3) hours before school and three (3) hours after school, but only during periods when schools are in session, subject to the regulations and permission of the Washoe County Department of Social Services.
  - (2) Large-Family Daycare. Large-family daycare refers to daycare services provided for more than six (6) full-time children, including those of the child care facility licensee who are under the age of seven (7) years.
  - (3) Child Daycare. Child daycare refers to services providing non-medical care to any number of children in need of personal services or supervision, on less than

DRAFT: April 20, 2021

a twenty-four (24) hour basis, but excluding services provided in a private dwelling.

- (c) Community Center. Community center use type refers to recreational, social or multi-purpose uses within buildings with no fixed seats and occupancy limited to five hundred (500) or fewer. Typical uses include public or private, non-commercial clubs.
- (d) Community Garden. Community garden use type refers to an area of land managed and maintained by a group to grow and harvest food crops, non-food crops (such as native plants), or ornamental crops (such as flowers), for personal or group use, consumption, or donation. Commercial sale of any crops produced in the community garden is prohibited. A community garden may be established in any regulatory zone subject to the following conditions:
  - (1) A signed affidavit shall be submitted to the division stating that the property owners, or the owners designated agent, agree to the proposed use. All liability considerations are the responsibility of the property owner and the users of the property.
  - (2) A site plan shall be submitted to the division showing the areas to be cultivated, the location of any structures associated with the use, access points, how and where water will be obtained, and parking locations (if applicable).
  - (3) Structures smaller than or equal to two-hundred (200) square feet may be established on-site to support operation and maintenance of the community garden, provided they are located at least five (5) feet from any property line, do not block any easements, and do not impede sight visibility from or onto public streets. All tools, equipment, chemicals, or fertilizers stored on site shall be within a locked structure.
  - (4) Activities at the garden site shall be limited to daylight hours. The use of motorized equipment is limited to the hours of 8 a.m. to 5 p.m. No exterior lighting or illumination shall occur.
  - (5) Once all outdoor crops have been harvested for the current growing season, the area utilized shall be cleaned of any dead vegetation or supporting materials within thirty (30) days of the final harvest or by November 15, whichever comes first. Tilling of the dead vegetation back into the soil is allowed and meets this requirement.
- (e) Convalescent Services. Convalescent services use type refers to provision of bed care and in-patient services for persons requiring regular medical attention, but excludes a facility providing surgical or emergency medical services and a facility providing care for alcohol or drug addiction.
- (f) Cultural and Library Services. Cultural and library services use type refers to non-profit, museum-like preservation and exhibition of objects of permanent interest in one or more of the arts and sciences, gallery exhibition of works of art or library collection of books, manuscripts, etc., for study and reading.
- (g) Education. Education use type refers to educational services provided by public, private or parochial institutions, but excludes uses classified under commercial education services. Typical uses include elementary, junior high, and senior high schools, and junior colleges. Curriculum must be approved by the State Department of Education. This use type does not refer to home schooling of children who live on-site.

DRAFT: April 20, 2021

- (1) Private School Facilities. Private School Facilities use type refers to educational services for the education of the children of the community that are funded primarily by means other than tax revenue.
  - (2) Public School Facilities. Public School Facilities use type refers to educational services for the education of the children of the community that are funded primarily with tax revenue.
- (h) Group Care Facility. Group care facility use type refers to an establishment that provides housing and living environment on a weekly or longer basis, for a group of persons not defined as a family or a group home. These facilities may provide life skill training, living assistance and supervised care service, but excludes medical treatment or uses classified under hospital services. This term includes specifically the following types of uses:
- (1) Child Care Institution;
  - (2) Facility for transitional living for released offenders;
  - (3) Group home use types which accommodate more persons that permitted as a group home.
- (i) Hospital Services. Hospital services use type refers to medical, psychiatric or surgical services for sick or injured persons primarily on an in-patient basis, including ancillary facilities for out-patient and emergency medical services, diagnostic services, training, research, administration and services to patients, employees or visitors.
- (j) Major Services and Utilities.
- (1) Utility Services. Utility services use type refers to the provision of electricity, water or other liquids, or gas, through wires, pipes or ditches through utility services involving major structures that have flexibility in location. Typical uses include natural gas transmission lines and substations, petroleum pipelines, and irrigation water ditches.
  - (2) Major Public Facilities. Major public facilities use type refers to public facilities that provide a significant service and have a substantial impact on the community. Typical uses are sanitary landfills, airports, and detention and correction facilities.
- (k) Nature Center. Nature center use type refers to an area set aside for the public viewing and display of indigenous or exotic wildlife and/or indigenous or exotic plant life on either a for-profit or non-profit basis in a structured setting. Typical uses include zoos, wildlife sanctuaries, arboretums and gardens.
- (l) Parks and Recreation. Parks and recreation use type refers to publicly owned parks or private not for profit recreation facilities and open space facilities within the recreation areas. These may be operated by a concessionaire. The following are park and recreation use types:
- (1) Active Recreation. Active recreation refers to public park recreational uses that may have a potential impact on the area or adjacent land uses. Uses include participant sports and developed family recreational areas. Typical uses include group picnicking, tennis courts, swimming pools, softball diamonds, group campgrounds, and community centers operated by a public entity.

DRAFT: April 20, 2021

- (2) Passive Recreation. Passive recreation refers to public park recreational uses that have no or a minimal impact on the area and adjacent land uses. Uses include hiking, nature study, wildlife refuge, fishing and viewing. No active uses, such as group picnicking, camping and sporting activities, are included.
- (m) Postal Services. Postal services use type refers to mailing services, excluding major processing, as provided by the United States Postal Service, including branch post offices and public and private facilities.
- (n) Public Parking Services. Public parking services use type refers to parking services involving building and lots which may be privately and/or publicly owned and operated and is assigned to meet a parking demand. Commercial parking is that which is not designated for any identified use.
- (o) Public Service Yard. Public service yard use type refers to the use of a property operated by a governmental agency for the purposes of storing equipment and materials and includes ancillary office and meeting space for public service projects. A public service yard is limited to operations involving public road construction, road maintenance, snow removal and operations supporting public parks construction and maintenance.
- (p) Religious Assembly. Religious assembly use type refers to religious services involving public assembly such as customarily occurs in synagogues, temples and churches.
- (q) Safety Services. Safety services use type refers to public safety and emergency services, including police and fire protection services, and emergency medical and ambulance services.

*[Amended by Ord. 875, provisions eff. 8/3/93; Ord. 895, provisions eff. 1/24/94; Ord. 1023, provisions eff. 7/1/98; Ord. 1088, provisions eff. 1/28/00; Ord. 1156, provisions eff. 3/22/02; Ord. 1368, provisions eff. 6/20/08; Ord. 1433, provisions eff. 3/5/10; Ord. 1485, provisions eff. 3/27/12; Ord. 1540, provisions eff. 9/5/14; Ord. 1623, provisions eff. 9/21/18.]*

**Section 110.304.25 Commercial Use Types.** Commercial use types include the distribution and sale or rental of goods, and the provision of services other than those classified as civic or industrial use types. All permanent commercial uses are required to operate from a commercial structure.

- (a) Administrative Offices. Administrative offices use type refers to offices or private firms or organizations which are primarily used for the provision of executive, management or administrative services. Typical uses include administrative offices and services including travel, secretarial services, telephone answering, photo-copying and reproduction, and business offices of public utilities, organizations and associations, or other use classifications when the service rendered is that customarily associated with administrative office services.
- (b) Adult Characterized Business. Adult characterized business use type refers to uses defined in Washoe County Code, Chapter 25.
- (c) Animal Sales and Services. Animal sales and services use type refers to establishments or places of business primarily engaged in animal-related sales and services. Animals kept as domestic pets or as accessory uses to a residential use are regulated by the accessory use provisions of Article 330, Domestic Pets and Livestock. The following are animal sales and services use types:

DRAFT: April 20, 2021

- (1) Commercial Kennels. Commercial kennels refers to kennel services for dogs, cats and similar animals. Typical uses include commercial animal breeding with four (4) or more animals (dogs), boarding kennels, pet motels, or dog training centers. Commercial kennels require a parcel size minimum of two-and-one-half (2.5) acres regardless of the regulatory zone within which it is located.
  - (2) Commercial Stables. Commercial stables refers to boarding or raising of three (3) or more horses, but excludes horses used primarily for agricultural operations which are classified under animal production. Typical uses include commercial stables, riding clubs and riding instruction facilities.
  - (3) Grooming and Pet Stores. Grooming and pet stores refers to grooming or selling of dogs, cats and similar small animals. Typical uses include dog bathing and clipping salons, pet grooming shops, or pet stores and shops.
  - (4) Pet Cemeteries. Pet cemeteries refers to services involving the preparation of dead animals for burial and the keeping of animal bodies on cemetery grounds as well as cremation of dead animals. Regardless of the regulatory zone in which it is located, a pet cemetery must be located on a parcel at least two-and-one-half (2.5) acres in size. Cremation of dead animals shall take place in an area designated only for the cremation of pets and which complies with any applicable federal or state statute or regulation or local ordinance.
  - (5) Veterinary Services, Agricultural. Veterinary services, agricultural refers to veterinary services specializing in the care and treatment of large animals. Veterinary services for small animals including pet clinics, dog and cat hospitals, or animal hospitals may be included to provide full veterinary services. Veterinary services, agriculture requires a parcel size minimum of two-and-one-half (2.5) acres regardless of the regulatory zone within which it is located. Typical uses include veterinary offices for livestock.
  - (6) Veterinary Services, Pets. Veterinary services, pets refers to veterinary services for small animals. Typical uses include pet clinics, dog and cat hospitals, or animal hospitals.
  - (7) Dog Training Services. Dog training services use type means the training of dogs with their owners or owners' designee, where both owner and dog participate in dog training classes.
- (d) Automotive and Equipment. Automotive and equipment use type refers to establishments or places of business primarily engaged in automotive-related or heavy equipment sales or services. The following are automotive and equipment use types:
- (1) Automotive Repair. Automotive repair refers to repair of automobiles and the sale, installation and servicing of automobile equipment and parts. Typical uses include muffler shops, automobile repair garages or automobile glass shops.
  - (2) Automotive Sales and Rentals. Automotive sales and rentals refers to on-site sales and/or rentals of automobiles, non-commercial trucks, motorcycles, motor homes and trailers together with incidental maintenance. Typical uses include automobile dealers, car rental agencies, or recreational vehicle sales and rental agencies.

DRAFT: April 20, 2021

- (3) Cleaning. Cleaning refers to washing and polishing of automobiles. Typical uses include automobile laundries or car washes.
- (4) Commercial Parking. Commercial parking refers to parking of operable motor vehicles on a temporary basis within a privately owned off-street parking area with or without a fee. Commercial parking is that which is not designated for any identified use. Typical uses include commercial parking lots or garages.
- (5) Equipment Repair and Sales. Equipment repair and sales refers to repair of motor vehicles such as aircraft, boats, recreational vehicles, trucks, etc.; the sale, installation and servicing of automobile equipment and parts; and body repair, painting and steam cleaning. Typical uses include truck transmission shops, body shops, storage of manufactured homes, motor freight maintenance groups or agricultural equipment sales.
- (6) Fabricated Housing Sales. Fabricated housing sales refers to the sales of new and used modular housing, manufactured homes and/or mobile homes; and ancillary minor repair of modular housing, manufactured homes and/or mobile homes sold from the same location as the new or used units. Typical uses include mobile homes sales lots and minor repairs of units sold on site that do not include changes in walls and do not include changes in undercarriage plumbing or support systems.
- (7) Storage of Operable Vehicles. Storage of operable vehicles refers to storage of operable vehicles, recreational vehicles and boat trailers. Typical uses include storage areas within personal storage facilities and storage yards for commercial vehicles.
- (8) Truck Stops. Truck stops refers to businesses engaged in the sale of fuel and lubricants primarily for trucks, routine repair and maintenance of trucks, and associated uses such as selling food and truck accessories.
- (e) Building Maintenance Services. Building maintenance services use type refers to establishments primarily engaged in the provision of maintenance and custodial services to firms rather than individuals. Typical uses include janitorial, landscape maintenance or window cleaning services.
- (f) Commercial Centers. Commercial centers use type refers to a group of unified commercial establishments built on a site which is planned, developed, owned and managed as an operating unit. The following are commercial center use types:
  - (1) Neighborhood Centers. Neighborhood centers refers to sales of convenience goods (foods, drugs and sundries) and personal services, those which meet the daily needs of an immediate neighborhood trade area. A neighborhood center typically includes convenience retail and services a population of 2,500 to 40,000 people, typically has a service area radius of one-half to one-and-one-half miles, and has a typical range of 15,000 to 50,000 square feet of gross leasable area.
  - (2) Community Centers. Community centers refers to shopping establishments containing some services of the neighborhood center plus other services providing a greater depth and range of merchandise than contained in the neighborhood center. A community center may be built around a department store or a variety store as the major tenant. A community center generally serves a trade area population of 40,000 to 50,000 people, typically has a service



DRAFT: April 20, 2021

area radius of one to three miles, and has a typical range of 50,000 to 150,000 square feet of gross leasable area.

- (3) Regional Centers. Regional centers refers to centers that provide shopping goods, general merchandise, apparel, furniture and home furnishings in full depth and variety. They usually are built around more than one department store. Typical design uses the pedestrian mall, either open or enclosed, as a connector between major anchor stores. A regional center serves as a major commercial center for the entire region and typically has more than 150,000 square feet of gross leasable area.
- (g) Commercial Educational Services. Commercial educational services use type refers to educational services provided by private institutions or individuals with the primary purpose of preparing students for jobs in trade or profession. Typical uses include business and vocational schools, music schools and hair styling schools.
- (h) Commercial Recreation. Commercial recreation use type refers to commercial establishments or places of business primarily engaged in the provision of sports, entertainment or recreation for participants or spectators. The following are commercial recreation use types:
  - (1) Commercial Campground Facilities/RV Park. Commercial campground facilities/RV park refers to areas and services for two (2) or more campsites, accommodating camping vehicles and tents, which are used by the general public as temporary living quarters for recreational purposes. Typical uses include recreational vehicle campgrounds.
  - (2) Destination Resorts. Destination resorts refers to commercial enterprises for recreation that can include lodging. Typical uses include ski resorts, dude ranches, and hunting and fishing lodges.
  - (3) Indoor Entertainment. Indoor entertainment refers to predominantly spectator uses conducted within an enclosed building. Typical uses include motion picture theaters, meeting halls and dance halls.
  - (4) Indoor Sports and Recreation. Indoor sports and recreation refers to predominantly participant sports conducted within an enclosed building. Typical uses include bowling alleys, billiard parlors, ice and roller skating rinks, indoor racquetball courts and athletic clubs.
  - (5) Limited Gaming Facilities. Limited gaming facilities refers to establishments which contains no more than fifteen (15) slot machines (and no other game or gaming device) where the operation of the slot machine is incidental to the primary business of the establishment.
  - (6) Marinas. Marinas refers to docking, storage, rental and minor repair of recreational and fishing boats. Typical uses include recreational boat marinas and boat rental establishments.
  - (7) Outdoor Entertainment. Outdoor entertainment refers to predominantly spectator-type uses conducted in open or partially enclosed or screened facilities. Typical uses include sports arenas, racing facilities and amusement parks.

DRAFT: April 20, 2021

- (8) Outdoor Sports and Recreation. Outdoor sports and recreation refers to predominantly participant sports conducted in open or partially enclosed or screened facilities. Typical uses include driving ranges, miniature golf courses, golf courses, swimming pools and tennis courts.
- (9) Outdoor Sports Club. Outdoor sports club refers to sports clubs using agricultural land or open space for hunting, shooting or fishing purposes. Typical uses include duck clubs, hunting clubs, skeet clubs and rifle ranges.
- (10) Unlimited Gaming Facilities. Unlimited gaming facilities refers to an establishment which contains fifteen (15) or more electronic gaming devices or operation of other gaming devices as authorized by the State of Nevada.
- (i) Communication Facilities. Communication facilities use type refers to establishments primarily engaged in the transmission and/or receiving of electromagnetic waves. Typical uses include television stations, radio stations, satellite dishes, antennas and wireless communication facilities. Refer to Article 324, Communication Facilities, for subcategories of communication facilities.
- (j) Construction Sales and Services. Construction sales and services use type refers to establishments or places of business primarily engaged in construction activities and incidental storage, as well as the retail or wholesale sale from the premises, of materials used in the construction of buildings or other structures. This use type does not include retail sales of paint, fixtures and hardware, or those uses classified as one of the automotive and equipment use types. This use type does not refer to actual construction sites. Typical uses include tool and equipment rental, or sales and building material stores.
- (k) Continuum of Care Facilities, Seniors. Continuum of care facilities for seniors use type refers to commercial establishments that provide housing, activities and twenty-four-hour skilled nursing or medical care to allow for adults to age in place. The number of continuum of care units and parking standards shall be determined through the special use permit process. All other development standards shall apply. Facilities may include independent living, assisted living, nursing care, hospice care, accessory housing for staff, and medical facilities and services for residents.
- (l) Convention and Meeting Facilities. Convention and meeting facilities use type refers to establishments which primarily provide convention and meeting facilities. Typical uses include convention facilities and wedding chapels.
- (m) Data Center. Data Center use type refers to establishments or places of business primarily engaged in the storage/housing of equipment, such as computers, servers, switches, routers, data storage devices, and related equipment for the purpose of storing, managing, processing, and exchanging of digital data and information.
- (n) Eating and Drinking Establishments. Eating and drinking establishments use type refers to establishments or places of business primarily engaged in the sale of prepared food and beverages for on-premises consumption, but excludes those uses classified under the liquor sales use type. The following are eating and drinking establishments use types:
  - (1) Convenience. Convenience refers to establishments or places of business primarily engaged in the preparation and retail sale of food and beverages, have a short customer turnover rate (typically less than one hour), and may include

DRAFT: April 20, 2021

sales of alcoholic beverages. Typical uses include drive-in and fast-food restaurants, ice cream parlors, sandwich shops and delicatessens.

- (2) Full Service. Full service refers to establishments or places of business primarily engaged in the sale of prepared food and beverages on the premises, which generally have a customer turnover rate of one hour or longer, and which include sales of alcoholic beverages at the table or at a bar as an accessory or secondary service. Typical uses include full-service restaurants.
- (o) Financial Services. Financial services use type refers to establishments primarily engaged in the provision of financial and banking services. Typical uses include banks, savings and loan institutions, loan and lending activities, and check cashing facilities.
- (p) Funeral and Interment Services. Funeral and interment services use type refers to provision of services involving the care, preparation or disposition of human dead. The following are funeral and interment services use types:
  - (1) Cemeteries. Cemeteries refers to undertaking services and services involving the keeping of bodies provided on cemetery grounds. Typical uses include crematoriums, mausoleums and columbariums.
  - (2) Undertaking. Undertaking refers to services involving the preparation of the dead for burial and arranging and managing funerals. Typical uses include funeral homes or mortuaries.
- (q) Gasoline Sales and Service Stations. Gasoline sales and service stations use type refers to retail sales of petroleum products from the premises of the establishment and incidental sale of tires, batteries, replacement items, lubricating services and minor repair services. Typical uses include automobile service stations.
- (r) Helicopter Services. Helicopter services use type refers to areas used by helicopter or steep-gradient aircraft. The following are helicopter services use types:
  - (1) Heliport. Heliport refers to areas used by helicopters or by other steep-gradient aircraft, which includes passenger and cargo facilities, maintenance and overhaul, fueling service, storage space, tie-down space, hangers and other accessory buildings, and open space.
  - (2) Helistop. Helistop refers to areas on a roof or on the ground used by helicopters or steep-gradient aircraft for the purpose of picking up or discharging passengers or cargo, but not including fueling service, maintenance or overhaul.
- (s) Liquor Manufacturing. Liquor manufacturing refers to the brewing, distillation, making, and/or manufacture of intoxicating liquors on the premises of the establishment. The resulting liquor products may be sold at retail to the public for on-site consumption and/or for off-site consumption. The liquor products may also be sold to licensed importer and/or wholesaler liquor dealers, with or without sales to the public. Liquor manufacturing may be in conjunction with another commercial use type, such as a full service eating and drinking establishment. Typical uses include brew pubs, breweries, craft distilleries, and wine makers.
- (t) Liquor Sales. Liquor sales use type refers to retail sales of alcoholic beverages, as defined in Chapter 30 of County Code (Intoxicating Liquor and Gaming Licenses and Regulations), to the public. The following are liquor sales use types:

DRAFT: April 20, 2021

- (1) Off-Premises. Off-premises refers to the retail sale of alcoholic beverages to the public for off-site consumption, but excludes uses classified under the retail sales use type. Typical uses include stores that sell packaged liquor.
  - (2) On-Premises. On-premises refers to the retail sale of alcoholic beverages to the public for on-site consumption, but excludes uses classified under the eating and drinking establishments use type. Typical uses include bars, taverns, cabarets, and casino service bars.
- (u) Lodging Services. Lodging services use type refers to establishments primarily engaged in the provision of lodging on a less-than-weekly basis within incidental food, drink, and other sales and services intended for the convenience of guests, but excludes those classified under residential group home and commercial recreation. The following are lodging services use types:
- (1) Bed and Breakfast Inns. Bed and breakfast inns refers to single family dwellings with guest rooms (no cooking facilities in guest rooms) where, for compensation, meals and lodging are provided.
  - (2) Condominium Hotel. Condominium hotel refers to temporary residences for transient guests, primarily persons who have residence elsewhere, with access to each room through an interior hall and lobby or outside porch or landing, and when the hotel rooms are owned as separate real estate; and the remainder of the property including amenities, open space, etc. is either owned in common by the hotel room owners and managed by an association, or owned by a separate entity in which a fee for use of the amenities, open space, etc. may or may not be charged the hotel room owners.
  - (3) Hostels. Hostels refers to supervised transient facilities offering dormitory type lodging, usually with a minimum of facilities.
  - (4) Hotels and Motels. Hotels and motels refers to temporary residences for transient guests, primarily persons who have residence elsewhere, with access to each room through an interior hall and lobby or outside porch or landing.
  - (5) Vacation Time Shares. Vacation time shares refers to real properties that are subject to a time share program.
- (v) Marijuana Establishments. A marijuana establishment, as defined and authorized by NRS 453A and NRS 453D, refers to commercial establishments, facilities, or places of business primarily engaged in the cultivation, production, acquisition, testing, supply, sale or distribution of marijuana products and related supplies and services, either for medical or adult recreational use. All marijuana establishments must be licensed by the Department of Taxation ("Department"). A business may be licensed with the Department to act as more than one of the marijuana establishment use types listed below in subsections one (1) through five (5). The following are marijuana establishment use types:
- (1) Marijuana Cultivation Facility. A marijuana cultivation facility, as defined by NRS 453A and/or 453D, refers to a business licensed as either a medical marijuana cultivation facility or as a marijuana cultivation facility, or both, which is authorized to cultivate, process, and package marijuana, to have marijuana tested by a marijuana testing facility, and to sell marijuana to retail marijuana stores, to marijuana product manufacturing facilities, and to other marijuana cultivation facilities, but not to consumers.

DRAFT: April 20, 2021

- (2) Marijuana Product Manufacturing Facility. A marijuana product manufacturing facility, as defined by NRS 453A and/or 453D, refers to a business licensed as a facility for the production of edible marijuana products or marijuana-infused products, and/or as a marijuana product manufacturing facility, which is authorized to purchase marijuana, manufacture, process, and package marijuana and marijuana products, and sell marijuana and marijuana products to other marijuana product manufacturing facilities and to retail marijuana stores, but not to consumers.
- (3) Marijuana Testing Facility. A marijuana testing facility, as defined by NRS 453A and/or 453D, refers to a business licensed as a medical marijuana independent testing laboratory and/or as a marijuana testing facility, which is authorized to test marijuana and marijuana products, including for potency and contaminants.
- (4) Retail Marijuana Store/Medical Dispensary. A retail marijuana store/medical dispensary, as defined by NRS 453A and/or 453D, refers to a business licensed as either a medical marijuana dispensary or as a retail marijuana store, or both, which is authorized to purchase marijuana from marijuana cultivation facilities, to purchase marijuana and marijuana products from marijuana product manufacturing facilities and retail marijuana stores, and to sell marijuana and marijuana products to consumers. In order to operate as a retail marijuana store / medical dispensary for adult recreational use, the business must retain State licensure as a medical marijuana dispensary to continue business operations in the unincorporated County.
- (5) Marijuana Distributor. A marijuana distributor, as defined by NRS 453D and WCC 25.708(2), refers to a business licensed to transport marijuana from a marijuana establishment to another marijuana establishment. A marijuana distributor license provides for the transport of both medical and recreational (adult use) marijuana, marijuana products and/or marijuana paraphernalia to marijuana establishments located within the unincorporated County.
  - (a) A retail marijuana store / medical dispensary is not required to obtain a marijuana distributor license to transport marijuana or marijuana products directly to consumers.
  - (b) Marijuana distributors will only transport marijuana, marijuana products and/or marijuana paraphernalia following the provisions of NRS Chapter 453D and NAC Chapter 453D.
  - (c) Wholesale intoxicating liquor dealers licensed pursuant to NRS Chapter 369 applying for a marijuana distributor license must possess a valid and current County Importer / Wholesaler intoxicating liquor license.
  - (d) A marijuana distributor business is not allowed as a home-based business.
- (w) Medical Services. Medical services use type refers to establishments primarily engaged in the provision of personal health services ranging from prevention, diagnosis and treatment, or rehabilitation services provided by physicians, dentists, nurses and other health personnel as well as the provision of medical testing and analysis services, but excludes those classified as any civic use type. Typical uses include medical offices, dental laboratories, health maintenance organizations, immediate care facilities or sports medicine facilities.
- (x) Nursery Sales. Nursery sales use type refers to the sales of plants, flowers and related nursery items. The following are nursery sales use types:

DRAFT: April 20, 2021

- (1) Retail. Retail refers to retail sale of plants and flowers and related nursery items. Typical uses include retail nurseries and home garden stores.
- (2) Wholesale. Wholesale refers to wholesaling of plants and flowers, with incidental retail sales. Typical uses include wholesale nurseries.
- (y) Personal Services. Personal services use type refers to establishments primarily engaged in the provision of informational, instructional, personal improvement and similar services of a non-professional nature, but excludes services classified as commercial recreation or lodging services. Typical uses include photography studios, driving schools or weight loss centers.
- (z) Personal Storage. Personal storage use type refers to storage services primarily for personal effects and household goods within an enclosed storage area having individual access, but excludes workshops, hobby shops, manufacturing or commercial activity. Typical uses include mini-warehouses.
- (aa) Professional Services. Professional services use type refers to establishments which provide professional services to individuals or businesses, but excludes offices servicing walk-in customers which are classified under the administrative offices use type. Typical uses include law offices, real estate offices, insurance offices and architectural firms.
- (bb) Recycle Center. Recycle center use type refers to facilities for the collection, as a commercial enterprise, of household recyclables such as newspapers, bottles and cans. Recycle centers do not include recycle facilities existing as a part of a refuse pickup service or recycle bins used for donations to non-profit organizations. The following are recycle center use types:
  - (1) Full Service Recycle Center. Full service recycle center refers to large, fully attended recycle centers accepting paper, plastic and glass household recyclables and may include processing or sorting of the recyclables.
  - (2) Remote Collection Facility. Remote collection facility refers to a center for the acceptance, by redemption or purchase, of recyclable materials from the public. Such a facility does not process the recyclables on site. Typical uses include reverse vending machines.
  - (3) Residential Hazardous Substance Recycle Center. Residential hazardous substance recycle center refers to specialized recycling centers that receive household hazardous substances such as household paint, household cleaners and automobile engine oil.
- (cc) Repair Services, Consumer. Repair services, consumer use type refers to establishments primarily engaged in the provision of repair services to individuals and households rather than firms, but excludes automotive repair. Typical uses include appliance repair shops, apparel repair firms or instrument repair firms.
- (dd) Retail Sales. Retail sales use type refers to retail sales of commonly used goods and merchandise, either free-standing or within a commercial center, but excludes those uses classified under other use types. The following are retail sales use types:
  - (1) Convenience. Convenience refers to establishments which provide a limited number of frequently or recurrently needed personal items or services for residents of an immediate neighborhood. Typical uses include convenience

DRAFT: April 20, 2021

stores, small grocery stores, barber shops, beauty parlors, dry cleaners and self-service laundromats.

- (2) Specialty Stores. Specialty stores refers to establishments which provide a variety of retail or personal services needs for residents in the larger community area. Typical uses include supermarkets, super drugs stores, clothing boutiques, antiques, bookstores, furniture stores and auto parts.
- (3) Comparison Shopping Centers. Comparison shopping centers refers to retail establishments that provide a wide variety of retail and personal services that cater to the regional needs. Typical uses include full-line department stores and warehouse-styled retail outlets.
- (ee) Secondhand Sales. Secondhand sales use type refers to establishments primarily engaged in the sale of goods and merchandise which are not being sold for the first time, but excludes those classified as animal sales and services and automotive and equipment. Typical uses include secondhand stores and thrift shops.
- (ff) Transportation Services. Transportation services use type refers to establishments which provide private transportation of persons and goods. Typical uses include taxi services and commercial postal services.
- (gg) Winery. The Winery use type refers to a facility comprising the building(s) or space used to make wine as an alcoholic beverage obtained by the fermentation of the natural content of fruits or other agricultural products containing sugar. A winery includes crushing of fruit, fermenting, bottling, blending, bulk and bottle storage, aging, shipping and receiving of wine making materials, laboratory equipment, associated maintenance equipment, and administrative office functions related to the operation of the winery. A winery may or may not have a vineyard associated with it and may include a public tasting room and the sale of merchandise related directly to the winery. A winery may only sell at retail by the bottle or serve by the glass, on its premises, wine produced, blended, or aged on site by the winery subject to any limitations set forth in NRS 597.240.

A winery may be established as a stand-alone principal use type or in combination with residential or other authorized use types. The growing of grapes for use in a winery use type or in wine making is classified as Crop Production, a separate Agricultural Use Type. Wine making in the urban, commercial or industrial regulatory zones, or in conjunction with the manufacture of other types of intoxicating liquor, is classified as Liquor Manufacturing, a separate Commercial Use Type. Any allowed winery use type requires the issuance of the appropriate Washoe County business and liquor licenses pursuant to Chapters 25 and 30 of this Code. The business license application process for an allowed winery shall include the noticing of all adjacent property owners within 500 feet of the subject parcel, homeowners associations or Architectural Control Committees that are registered with the Building and Safety Division which have an interest in the subject parcel, and any properties that share a privately maintained access road to the subject parcel. Review and approval of a business license application to establish a winery shall include, at a minimum, review by the Washoe County Health District, the fire department of jurisdiction, and any General Improvement District with jurisdiction.

Winery with Special Events. Except in the Suburban Residential regulatory zone, a winery approved through an Administrative Permit may include, as part of the Administrative Permit application, provisions for conducting recurring special events as ancillary uses to the principal Winery use. "Special event" means an assembly of less than 100 persons on any one day of the event. Such recurring special events may

DRAFT: April 20, 2021

include, but are not limited to, weddings, tours, promotional events, entertainment (indoor or outdoor), wine and food pairings, and craft fairs. Recurring special events proposed in conjunction with a Winery use must be included in the Administrative Permit application authorizing the Winery use. New or amended proposals for special events shall require either an amendment to the existing Administrative Permit (i.e. Amendment of Conditions) or a separate application for a Temporary Special Event Business License pursuant to Chapter 25 of this Code through the Business License division.

*[Amended by Ord. 875, provisions eff. 8/3/93; Ord. 906, provisions eff. 7/27/94; Ord. 1004, provisions eff. 1/30/98; Ord. 1023, provisions eff. 7/1/98; Ord. 1097, provisions eff. 7/28/00; Ord. 1179, provisions eff. 12/6/02; Ord. 1238, provisions eff. 6/4/04; Ord. 1288, provisions eff. 3/24/06; Ord. 1347, provisions eff. 11/2/07; Ord. 1433, provisions eff. 3/5/10; Ord. 1481, provisions eff. 2/3/12; Ord. 1497, provisions eff. 10/5/12; Ord. 1527, provisions eff. 4/18/14; Ord. 1712, provisions eff. 6/27/14, Ord 1586, provisions eff. 10/7/16; Ord. 1616, provisions eff 4/20/18.]*

Section 110.304.30 Industrial Use Types. Industrial use types include the on-site production of goods by methods not agricultural in nature, including certain accessory uses.

- (a) Aggregate Facilities. Aggregate facilities use type refers to the extraction and processing of sand, gravel and rock from the ground. Typical uses include sand and gravel pit and ancillary uses such as concrete and asphalt batch plants.
- (b) Caretaker's Residence. Caretaker's residence refers to a permanent on-site residential unit for an industrial use. The purpose of this unit is to provide security for the industrial use and the site on which it is located. It shall be occupied only while a valid business license for an industrial use is in effect and only by an employee of the company which operates the industrial use and at no time shall it be rented to any party other than someone directly employed by the industrial use operator. The caretaker's residence and industrial use are permitted to share access to the site. A caretaker's residence should provide a permanent kitchen, toilet facilities, sleeping, eating, and living facilities, all separate from the industrial use, and must be permitted by all applicable state and local agencies. Two (2) standard parking spaces shall be reserved for use by the residents of the caretaker's residence. The floor area of the unit shall not exceed two thousand (2,000) square feet. A minimum lot size of one (1) acre is required. Any solid fuel burning device is prohibited. Upon cessation of the industrial use, the use of the caretaker's residence must cease. The following are caretaker's residence use types:
  - (1) Attached. Caretaker's residence attached must be attached to or located within the main structure for the industrial use. Only one (1) caretaker's residence is permitted per structure, regardless of the number of businesses located in that structure. Only one (1) caretaker's residence is permitted per employer and per parcel, regardless of the number of businesses located on that parcel.
  - (2) Detached. Caretaker's residence detached must be sited within the developed industrial area, and must be visually integrated with the industrial use. Only one (1) caretaker's residence is permitted per employer and per parcel, regardless of the number of businesses located on that parcel.
- (c) Custom Manufacturing. Custom manufacturing use type refers to the on-site production of goods by hand manufacturing or artistic endeavor which involves only the use of hand tools or domestic mechanical equipment and the incidental sale of these goods directly to consumers. Typical uses include ceramic studios, custom cabinet making, candle making shops and custom jewelry manufacturers.



DRAFT: April 20, 2021

- (d) Energy Production. Energy production use type refers to the commercial production of electricity.
  - (1) Non-Renewable Energy Production. Non-Renewable energy production use type refers to the commercial production of energy utilizing any non-renewable source of energy.
  - (2) Renewable Energy Production. Renewable energy production use type refers to the commercial production of energy utilizing solar, geothermal, wind, hydroelectric, and biomass sources of energy.
  
- (e) General Industrial. General industrial use type refers to the on-site production of goods other than those that are agricultural or extractive in nature, but excludes those uses classified under custom manufacturing and high technology use types. The following are general industrial use types:
  - (1) Limited. Limited refers to production processes which use already manufactured components to assemble, print or package a product such as cloth, paper, plastic, leather, wood, glass or stones, but not including such operations as paper, saw or planing mills, steel, iron or other metalworks, rolling mills, or any manufacturing uses involving primary production of commodities from raw materials. By the nature of the activity performed and/or the scale of operation, these uses can be located near residential or commercial uses with minimal impact to adjacent uses. Typical uses include apparel manufacturing, paper products finishing, furniture production and production of fabricated metal products.
  - (2) Intermediate. Intermediate refers to production processes which can be located near residential or commercial uses only if special control measures are taken to mitigate the land use conflicts which can result from such operations. Typical uses include production of food substances, household appliance manufacturing, prefabrication of manufactured buildings, and major repair/reconstruction and storage of fabricated housing.
  - (3) Heavy. Heavy refers to production processes which should not be located near residential or commercial uses due to the intensive nature of the industrial activity and/or the scale of operation. These uses may be located near other manufacturing uses exhibiting similar characteristics although special control measures may be required for some extremely intensive operations to ensure compatibility with similar industrial uses. Typical uses include motor vehicle assembly, sawmills, textile dyeing, leather tanning, hazardous chemical production, petroleum refining, primary metal processing, storage of manufactured homes and production of explosives or propellants.
  
- (f) High Technology Industry. High technology industry use type refers to the research, development and controlled production of high-technology electronic, industrial or scientific products. Typical uses include biotechnology firms and computer component manufacturers.
  
- (g) Inoperable Vehicle Storage. Inoperable vehicle storage use type refers to premises devoted to the parking and/or storage of inoperable vehicles. Typical uses include buildings, storage yards, and auto wrecking facilities devoted to the parking and/or storage of inoperable vehicles.

DRAFT: April 20, 2021

- (h) Laundry Services. Laundry services use type refers to establishments primarily engaged in the provision of large scale laundering, dry cleaning or dyeing services other than those classified as personal services. Typical uses include laundry agencies, diaper services or linen supply services.
- (i) Mining Operations. Mining operations use type refers to the extraction and processing of rocks and minerals from the ground, but excludes uses classified under the petroleum gas extraction use type. Typical uses include the mining of precious metals and industrial minerals.
- (j) Petroleum Gas Extraction. Petroleum gas extraction use type refers to the extraction of oil and natural gas from the ground and the temporary storage of oil at the well site. Typical uses include oil and gas wells.
- (k) Salvage Yards. Salvage yards use type refers to the collection, storage or sale of rags, scrap metal or discarded material; or the collection, dismantling, storage, salvaging or demolition of vehicles, machinery or other materials. Typical uses include junkyards and auto wrecking facilities.
- (l) Wholesaling, Storage and Distribution. Wholesaling, storage and distribution use type refers to establishments or places of business primarily engaged in wholesaling, storage and bulk sale distribution including, but not limited to, open-air handling of material and equipment other than live animals and plants. The following are wholesaling, storage and distribution use types:
  - (1) Light. Light refers to wholesaling, storage and warehousing services within enclosed structures. Typical uses include wholesale distributors, storage warehouses, or moving and storage firms.
  - (2) Heavy. Heavy refers to distribution and handling of materials and equipment. Typical uses include monument sales, stone yards or open storage yards.

*[Amended by Ord. 906, provisions eff. 7/27/94; Ord. 1039, provisions eff. 11/1/98; Ord. 1433, provisions eff. 3/5/10; Ord. 1443, provisions eff. 7/26/10; Ord. 1494, provisions eff. 8/9/12; Ord. 1504, provisions eff. 3/8/13.]*

Section 110.304.35 Agricultural Use Types. Agricultural use types include the on-site production of plant and animal products by agricultural methods.

- (a) Agricultural Processing. Agricultural processing use type refers to the processing of foods and beverages from agricultural commodities, but excludes animal slaughtering. Typical uses include canning of fruits and vegetables, processing of dairy products, and the production of prepared meats from purchased carcasses.
- (b) Agricultural Sales. Agricultural sales use type refers to the sale of agricultural supplies such as feed, grain and fertilizers. Typical uses include feed and grain stores.
- (c) Animal Production. Animal production use type refers to raising of animals or production of animal products, such as eggs or dairy products, on an agricultural or commercial basis, but excluding commercial slaughtering. Typical uses include grazing, ranching, dairy farming, poultry farming and aquaculture.
- (d) Animal Slaughtering, Agricultural. Agricultural animal slaughtering use type refers to the slaughtering of animals to be used in making meat products on the same premises.

DRAFT: April 20, 2021

- (e) Animal Slaughtering, Commercial. Commercial animal slaughtering use type refers to the slaughtering of animals to be sold to others or to be used in making meat products on the same premises. Typical uses include slaughter houses.
- (f) Animal Slaughtering, Mobile. Mobile animal slaughtering use type refers to the slaughtering of animals to be sold to others or to be used in making meat products, within a fully-enclosed mobile slaughtering facility approved by the US Food and Drug Administration, for a duration of not more than fourteen (14) days off-site on any one parcel within a calendar year. Typical uses include mobile commercial slaughtering units.
- (g) Crop Production. Crop production use type refers to raising and harvesting of tree crops, row crops or field crops on an agricultural or commercial basis, including packing and processing.
- (h) Forest Products. Forest products use type refers to commercial timber harvesting uses and facilities. Typical uses include production of forest products, sawmills and lumber camps.
- (i) Game Farms. Game farms use type refers to boarding or breeding of exotic animals generally considered as wild or not normally domesticated.
- (j) Produce Sales. Produce sales use type refers to the on-site sale of farm produce and/or shell eggs from property owned, rented or leased by the farmers who grow or produce all or part of the farm produce or shell eggs offered for sale. Typical uses include produce stands, and fruit and vegetable stands.
  - (1) Only products grown or produced on-site may be sold. A minimum lot size of forty (40) acres is required to establish produce sales as an allowed use in the General Rural (GR) regulatory zone. A valid business license pursuant to Chapter 25 of County Code must be obtained prior to any sales.
  - (2) Temporary produce sales, for a maximum duration of thirty (30) days in any one (1) calendar year, are allowed in all regulatory zones; however, a valid business license pursuant to Chapter 25 of County Code must be obtained prior to any sales.

*[Amended by Ord. 1023, provisions eff. 7/1/98; Ord. 1433, provisions eff. 3/5/10; Ord. 1540, provisions effective 9/5/14.]*

SECTION 2. Article 902 of the Development Code, Chapter 110 of the Washoe County Code, is hereby amended as follows:

## **Article 902**

# **DEFINITIONS**

---

Sections:

110.902.00	Purpose
110.902.05	Applicability

DRAFT: April 20, 2021

110.902.10 Rules of Interpretation  
110.902.15 General Definitions

Section 110.902.00 Purpose. The purpose of this article, Article 902, Definitions, is to promote consistency and precision in the interpretation of the Development Code.

Section 110.902.05 Applicability. The meaning and construction of words and phrases as set forth therein shall apply throughout the Development Code, except where the context of such words and phrases clearly indicates a different meaning or construction. Definitions contained in the adopted version of the International Building Code shall be applicable except when in conflict with definitions contained in the Development Code, in which case the Development Code definitions shall control. Additional definitions which apply only within one article or section may be contained within that article or section.

*[Amended by Ord. 1356, provisions eff. 12/21/07.]*

Section 110.902.10 Rules of Interpretation. The following general rules of interpretation shall apply to the textual provisions of the Development Code:

- (a) Article and Section References. "Article" means an article of the ordinance codified in this Development Code unless some other ordinance is specifically mentioned. "Section" means a section of the ordinance codified in this Development Code unless some other ordinance is specifically mentioned. "Subsection" means a subsection of the section in which the term occurs unless some other section is specifically mentioned.
- (b) Definitions. The Director of Community Development shall have the authority to determine the applicable definition source (e.g. Webster's Collegiate Dictionary, International Building Code, International Fire Code, etc.) in the event of a conflict.
- (c) Headings. Section and subsection headings contained herein shall not be deemed to govern, limit, modify or in any manner affect the scope, meaning or intent of any provision of this Development Code.
- (d) Illustrations. In case of any differences of meaning or implication between the text of any section or article and any illustration, the text shall control.
- (e) Gender. The masculine gender includes the feminine and neuter.
- (f) Number. The singular number includes the plural, and the plural the singular.
- (g) Tense. The present tense includes the past and future tenses, and the future tense includes the present tense.
- (h) Oath and Affirmation. "Oath" includes "affirmation."
- (i) Shall and May. "Shall" is mandatory and "may" is permissive.
- (j) Signature or Subscription and Mark. "Signature" or "subscription" includes "mark" when the signer or subscriber cannot write, such signer's or subscriber's name being written near the mark by a witness who writes his own name near the signer's or subscriber's name; but a signature or subscription by mark can be acknowledged or can serve as a signature or subscription to a sworn statement only when two (2) witnesses so sign their own names thereto.

DRAFT: April 20, 2021

- (k) Statutory References. Whenever reference is made to any portion of the ordinance codified in this Development Code, or of any other ordinance of this County or of any law of this state, the reference applies to all amendments and additions now or hereafter made.

*[Amended by Ord. 873, provisions eff. 6/7/93; Ord. 1356, provisions eff. 12/21/07.]*

Section 110.902.15 General Definitions. Unless otherwise specified, the following definitions shall be applicable throughout the Development Code:

A-Weighted Sound Level. "A-weighted sound level" means the sound pressure level in decibels as measured on a sound level meter using the A-weighting filter network. Sounds measured with an A-weighted filter are abbreviated dba or db(a).

Accessory Structure. "Accessory structure" means a subordinate structure, the use of which is incidental to that of the main structure or potential main structure, or main dwelling.

Accessway. "Accessway" means vehicular ingress and egress to a property or use.

Adequate Public Facilities Management. "Adequate public facilities management" means a method for ensuring that the infrastructure necessary to support a development project will be available concurrently with the impacts of that development, without causing the level of service provided by said infrastructure to fall below adopted standards.

Affordable Housing. "Affordable housing" means housing which is affordable to low-income households (not exceeding eighty (80) percent of the County median income) or moderate-income households (not exceeding one-hundred twenty (120) percent of County median income).

Agricultural Building. "Agricultural building" is a structure designed and constructed to store farm implements and equipment or hay, grain, poultry, livestock, fruit and other agricultural products. Cold storage warehouses are not agricultural buildings. An agricultural building shall not be used for human habitation; processing, treating, packaging agricultural products; or as a place used by the public. The term shall not include dwellings, but does include greenhouses.

Approved Access. "Approved access" means a way or means of approach to a parcel from either an abutting public road or from a private road, street or right-of-way approved by the County.

Area of Shallow Flooding. "Area of shallow flooding" means a designated AO or AH Zone on the Flood Insurance Rate Maps. The base flood depths range from 1 to 3 feet, a clearly defined channel does not exist, the path of flooding is unpredictable and indeterminate, and velocity flow may be evident.

Area Plan. "Area plan" means plans adopted by Washoe County which cover specific subareas of the unincorporated County. These plans provide basic information on the natural features, resources and physical constraints that affect the development of the planning area. They also specify detailed land use designations which are then used to review specific development proposals and to plan services and facilities.

Arterial. "Arterial" means a main highway that is a through street.

Attached Accessory Dwelling Unit. "Attached accessory dwelling unit" means a portion of or an addition to a single family main dwelling that has been designed or configured to be used as a separate and independent dwelling unit. An attached accessory dwelling unit includes, at a minimum, permanent kitchen and bathroom (i.e. a toilet) facilities, but may also include living, sleeping, and eating facilities, all separated from the main unit by walls or ceiling and accessed through a lockable exterior or interior door.

**DRAFT: April 20, 2021**

The attached accessory dwelling unit shall not exceed forty (40) percent of the total square footage of the main dwelling unit or one thousand (1,000) square feet, whichever is smaller. The square footage of garages, crawl spaces, cellars, attics, or basements not designed for human occupancy shall not be included when calculating the total square footage of the main dwelling unit, unless such areas have been legally converted into habitable space. An attached accessory dwelling may be created by converting part of, or adding on to, an existing single family main dwelling. To be considered attached, the accessory dwelling unit must abut (i.e. be on the opposite side of a wall or ceiling) the habitable space of the main dwelling, or the ceiling of a garage attached to the main dwelling. Incidental and accessory features such as trellises, decks, patios, breezeways, or tool sheds will not be considered as establishing an attached structure/dwelling. Attached accessory dwellings are often referred to as guest rooms, guest apartments and "granny flats."

Base Flood Calculation. "Base flood calculation" means a flood having a one (1) percent chance of being equaled or exceeded in any given year. See "Flood, One Hundred (100) Year."

Basement. "Basement" means the portion of a building between floor and ceiling, which is partly below and partly above grade, but so located that the vertical distance from grade to the floor below is less than the vertical distance from grade to ceiling.

Bed and Breakfast Establishment. "Bed and breakfast establishment" means a single-family dwelling containing not more than five (5) guest rooms (no cooking facilities in guest rooms) where, for compensation, meals and lodging are provided.

Berm. "Berm" means a mound or embankment of earth.

Billboard. "Billboard" means an outdoor advertisement making a material or services known, such advertisement being remote from the point of sale of such material or service.

Board. "Board" refers to the Board of County Commissioners of Washoe County.

Boardinghouse. "Boardinghouse" means a building or portion thereof (not a motel) where, for compensation, meals and lodging are provided for more than three (3) guests.

Breezeway. A "breezeway" means a covered walkway, passageway, or corridor that has at least one (1) side entirely or partially open (except for necessary supporting columns), is not intended nor designed as habitable space, and which may or may not be connected to a structure.

Building. "Building" means any structure having a permanent foundation, a roof supported by columns or walls and used for the enclosure of persons, animals or chattels, but not including a trailer (mobile home) or tent.

Building Envelope. "Building envelope" means the area to be occupied by any structure and associated development.

Building Height. "Building height" is the vertical distance above a reference datum measured to the highest point of the coping of a flat roof or to the deck line of a mansard roof or to the average height of the highest gable of a pitched or hipped roof. As illustrated in Figure 110.902.15.BH1, the reference datum shall be selected by either of the following, whichever yields a greater height of building:

- (a) The elevation of the highest adjoining sidewalk or ground surface within a five (5) foot horizontal distance of the exterior wall of the building when such sidewalk or ground surface is not more than ten (10) feet above lowest grade.

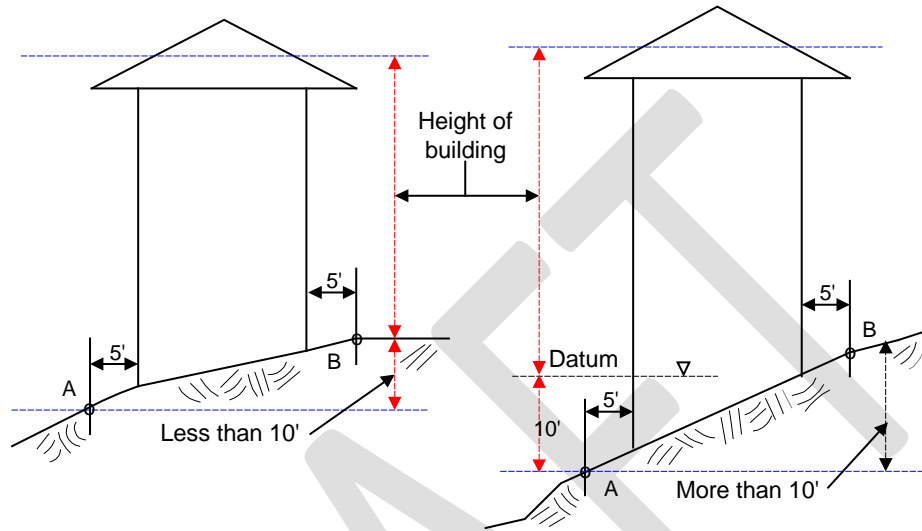
DRAFT: April 20, 2021

- (b) An elevation ten (10) feet higher than the lowest grade when the sidewalk or ground surface described in Item 1 above is more than ten (10) feet above lowest grade.

The height of a stepped or terraced building is the maximum height of any segment of the building.

Figure 110.902.15.BH1

DETERMINATION OF BUILDING HEIGHT IN FEET



Source: International Building Code Interpretation Manual.

**Building Intensity.** "Building intensity" refers to the bulk and concentration of physical development of uses permitted in a district. Lot coverage and height are examples of measures of building intensity.

**Cargo Container.** "Cargo Container" means an Intermodal Container, Sea-land Container, ISO Container, or Conex Box that is not designed for independent or "In-tow Trailer" highway use, and that was originally designed and constructed as a standardized, reusable storage and shipping vessel to be loaded on a truck, rail car or ship.

**Cellar.** "Cellar" means the portion of a building between floor and ceiling which is wholly or partially below grade and so located that vertical distance from grade to the floor below is equal to or greater than the vertical distance from grade to ceiling.

**Certificated Water Rights.** "Certificated water rights" means the right to put surface water or groundwater to beneficial use that is identified by a record document issued by the Nevada State Engineer after satisfactory proof of "perfection of application" for a permitted water right has been filed in accordance with NRS Chapter 533.

**Child Care Institution.** "Child care institution" means a facility which provides care and shelter during the day and night and provides developmental guidance to sixteen (16) or more children who do not routinely return to the homes of their parents or guardians. Such an institution may also provide, without limitation:

- (a) Education to the children according to a curriculum approved by the Department of Education;

**DRAFT: April 20, 2021**

- (b) Services to children who have been diagnosed as severely emotionally disturbed as defined in NRS 433B.080, including, without limitation, services relating to mental health and education; or
- (c) Emergency shelter to children who have been placed in protective custody pursuant to Chapter 432B of NRS.

Climatic Adaptive Planting Material. "Climatic adaptive planting material" means vegetation which is adapted to the climate or microclimate of the planting site and can flourish given the soil and water environment surrounding its roots. Microclimates, large bodies of water, soil drainage, soil pH, adequate moisture, the presence of soil salts, and both summer and winter wind affect a plant's ability to grow and survive.

Cluster or Clustered Development. See "Common Open Space Development."

Collector. "Collector" means the highest order of residential streets.

Commercial Coach. "Commercial coach" means structure without motive power which is designed and equipped for human occupancy for industrial, professional or commercial purposes.

Commercial Vehicle. "Commercial vehicle" means any vehicle designed, maintained or used for business, commercial, construction or industrial purposes that infringes on the residential character of residential districts; or for the transportation of property in furtherance of commercial enterprise; or having more than two (2) axles on the road; or, any vehicle in excess of eight thousand (8,000) pounds unladen weight. Commercial vehicles includes, but is not limited to: a cement truck, commercial tree-trimming equipment, construction equipment, dump truck, garbage truck, panel truck, semi-tractor, semi-trailer, stake bed truck, step delivery van, tank truck, tar truck, and other vehicles customarily used for commercial purposes.

Commission. "Commission" means the Washoe County Planning Commission.

Common Interest Community. "Common interest community" means real estate in which a person, by virtue of ownership of a unit, is obligated to pay for real estate other than that unit. "Ownership of a unit" does not include holding a leasehold interest of less than twenty (20) years in a unit, including options to renew.

Common Open Space Development. "Common open space development" means a technique whereby minimum lot sizes may be reduced below the regulatory zone requirements for residential and commercial use types, if compensating amounts of open space are provided within the same development (also called "cluster development"). This type of development allows for structures to be grouped on smaller lots, provided the total density for the development is not exceeded.

Company Town. "Company town" means employee housing and supporting commercial, office, recreational, professional, administrative and other ancillary uses associated with the functioning of an isolated industrial, mining, energy production, utilities, resorts or agricultural based use. This development may occur on a single parcel or multiple parcels.

Consistency. "Consistency" means free from variation or contradiction.

Constraints. "Constraints" mean limitations or actions which cannot be taken or which must be taken.

Construct. "Construct" includes "erect," "reconstruct," "alter," "move in" and "move upon."



**DRAFT: April 20, 2021**

Contiguous Parcel of Land. "Contiguous parcel of land" means a parcel of land either abutting directly on the boundary or separated by a street, alley, public right-of-way, creek, river or the right-of-way of a railroad or other public service corporation of another parcel of land.

Continuum of Care Unit – A unit that is within a continuum of care facility that includes living and sleeping facilities as defined by the Development Code, the International Building Code, and/or the National Manufactured Home and Safety Standards Act.

Corner Lot. See "Lot, Corner."

Cost. "Cost" means the price paid or what is given up in order to acquire, produce, accomplish or maintain anything.

County. "County" refers to the unincorporated area of Washoe County, Nevada.

County Standards. "County standards" means improvement standards set forth in this Development Code or adopted by the Board of County Commissioners.

Cross-Section. "Cross-section" is a drawing or photograph showing a cutting through something, especially at right angles to its axis. A cross section of a roadway usually indicates the width of the street, the number of lanes, and the width of any median, parkways, sidewalks and bicycle lanes.

Cumulative Impact. "Cumulative impact" means an effect which is a result of several related projects. Each increment from each project may not be noticeable but cumulative impacts may be noticeable when all increments are considered.

Cut. "Cut" means shaping of the land surface by removing soil, rock or other materials.

Decibel. "Decibel" means a unit for describing the amplitude of sound, equal to twenty (20) times the logarithm to the base ten (10) of the ratio of the pressure of the sound measured to the reference pressure, which is twenty (20) micropascals (20 micronewtons per square meter).

Density or Residential Density. "Density" or "residential density" means the number of dwelling units per gross acre for residential uses as defined in Article 304, Use Classification System.

Density Bonus. "Density bonus" means an increase in residential density over and above the density specified in the Development Code. A "density bonus unit" is one of the additional housing units built as a result of granting a density bonus.

Destination Resort. "Destination resort" is a self-contained development that provides for visitor-oriented accommodations and developed recreational facilities in a setting with high natural amenities. Visitor-oriented accommodations are overnight lodging and facilities designed for visitors, not permanent residents, and overnight lodging excludes RV and mobile home parks. Visitor accommodations must include meeting rooms and restaurants.

Detached Accessory Dwelling Unit. "Detached accessory dwelling unit" means a dwelling unit on the same lot as the main dwelling unit, but which is physically separated from the main dwelling unit. A detached accessory dwelling unit is designed and configured to provide independent living facilities for one or more persons, and includes, at a minimum, permanent kitchen and bathroom (i.e. toilet) facilities, but which may also include living, sleeping, and eating facilities. Except in the Medium Density Suburban (MDS) Regulatory Zone, a detached accessory dwelling unit shall not exceed fifteen hundred (1,500) square feet or fifty (50) percent of the total square footage of the main unit, whichever is smaller. In the Medium Density Suburban (MDS) Regulatory Zone, the detached accessory dwelling unit shall not exceed eight hundred (800) square feet or fifty (50) percent of the total square footage of the main

**DRAFT: April 20, 2021**

dwelling unit, whichever is smaller. The square footage of garages, crawl spaces, cellars, attics, or basements not designed for human occupancy shall not be included when calculating the total square footage of the main dwelling unit, unless such areas have been legally converted into habitable space. Detached accessory dwelling units are also commonly referred to as guest houses, second units, detached "granny flats" and caretaker's quarters.

Detached Accessory Structure. Except as provided for under Section 110.306.15, "detached accessory structure" means a building or structure on the same lot as the main residential structure and devoted to a use incidental to that main residential structure. A detached accessory structure is not designed, configured, or used for human habitation. The detached accessory structure may be connected to water and wastewater systems subject to the recordation of a deed restriction prohibiting the use of the structure as a dwelling unit. Installation of both a kitchen and a toilet in a detached accessory structure shall render the structure as a dwelling unit and subject to the accessory dwelling unit provisions contained in Article 306, Accessory Uses and Structures. Typical uses include storage buildings, sheds, barns, and detached garages.

Development. "Development" means any man-made change to improved or unimproved real estate including the construction of buildings or other structures, mining, dredging, filling, grading, paving, excavation, drilling operations or storage of equipment or materials.

Development Agreement. "Development agreement" means an agreement entered into by Washoe County and any person having a legal or equitable interest in land concerning the development of that land, pursuant to NRS Chapter 278.

Development Code. "Development Code" refers to Chapter 110 of the Washoe County Code which incorporates all County development-related ordinances and standards to ensure conformity with the Master Plan.

Division into Large Parcels. "Division into large parcels" means division of land if each proposed lot is at least forty (40) acres in area including roads and easements or at least one-sixteenth (1/16) of a section as described by a government land office.

Dog Training Center. "Dog training center" means a facility where dogs are boarded and trained for a long-term period of time.

Dog Training Services. "Dog training services" means the training of dogs with their owners or owners' designee, where both owner and dog participate in dog training.

Domestic Water. "Domestic water" means water supplied to individual dwellings and other land uses which is suitable for drinking.

Dormitory/Bunkhouse. "Dormitory/bunkhouse" means a building or a portion of a building where, for compensation or a benefit of employment, meals and lodging are provided.

Drainage, Natural. "Natural drainage" means any channel, swale or depression which conducts water as part of the natural drainage pattern of a site.

Driveway, Residential. "Residential driveway" means a private paved or unpaved area used for ingress or egress of vehicles, and allowing access extending from a property line to a building or other structure or facility on the subject parcel.

Dwelling. "Dwelling" means any building or portion thereof used exclusively for residential purposes but does not include hotels, clubs, boardinghouses or rooming houses, fraternity or sorority houses, continuum of care facilities, or institutions.

**DRAFT: April 20, 2021**

Dwelling Unit. "Dwelling unit" means any building or portion thereof, including a fabricated home or portion thereof, which contains at a minimum permanent kitchen and bathroom (i.e. a toilet) facilities for residential use types as defined in Article 304, Use Classification System, but which may also include living, sleeping, and eating facilities as required by the Development Code, the International Building Code, and/or the National Manufactured Home and Safety Standards Act.

Electronic Notice. "Electronic notice" means any notice required by law that is transmitted via electronic means and which provides a method of verifying receipt to the sender that the receiver has received the notice. Electronic includes, but is not limited to, e-mail, facsimile transmission that identify the receiver and have a time and date stamp.

Endangered Species. "Endangered species" means any species listed as such in the Federal Register which is in danger of extinction throughout all or a significant portion of its range.

Engineer. "Engineer" means a Nevada registered engineer pursuant to NRS Chapter 625.

Ephemeral Stream. "Ephemeral stream" means a stream that flows only in direct response to precipitation, and thus discontinues its flow during dry seasons. Such flow is usually of short duration. Most of the dry washes of more arid regions may be classified as ephemeral streams.

Erosion. "Erosion" means the detachment and movement of soil from the land surface by wind, water or gravity.

Fabricated Home. "Fabricated home" means a dwelling unit fabricated in an off-site manufacturing facility for installation or assembly at the building site. Fabricated homes include modular homes, manufactured homes and mobile homes. The term "fabricated home" does not include a "recreational vehicle."

Facility for Transitional Living for Released Offenders. "Facility for transitional living for released offenders" means a residence that provides housing and a living environment for persons who have been released from prison and who require assistance with reintegration into the community, other than such a residence that is operated or maintained by a state or local government or an agency thereof. The term does not include a halfway house for recovering alcohol and drug abusers or a facility for the treatment of abuse of alcohol or drugs. As used in this section, person who has been released from prison means:

- (a) A parolee.
- (b) A person who is participating in:
  - (1) A judicial program pursuant to NRS 209.4886 or 213.625; or
  - (2) A correctional program pursuant to NRS 209.4888 or 213.371.
- (c) A person who is supervised by the Division of Parole and Probation of the Department of Public Safety through residential confinement.
- (d) A person who has been released from prison by expiration of his or her term of sentence.

Family. "Family" means one (1) or more persons related by blood, marriage or legal adoption, or a group of six (6) or fewer unrelated persons and two additional persons who act as house parents or guardians, living together in a dwelling unit.

Fence. "Fence" means a wall or barrier constructed of boards, masonry, wire or any other material for the purpose of enclosing space or separating parcels of land. The term "fence" does not include retaining walls, but does include fence gates and gateposts.

**DRAFT: April 20, 2021**

Fill. "Fill" means shaping of the land surface by depositing soil, rock or other materials.

Final Map. "Final map" means the map or recording instrument for subdivisions of land as described in Article 610. A final map may also be used to record an approved parcel map at the option of either the subdivider or the County.

Fire Management. "Fire management" means activities required for the protection of resources and values from fire, or the use of fire to meet land management goals and objectives.

Flood or Flooding. "Flood" or "flooding" means a general and temporary condition of partial or complete inundation of normally dry land areas from the overflow of inland waters; or the unusual and rapid accumulation of runoff of surface waters from any source.

Flood, One Hundred (100) Year. "One hundred (100) year flood" also called the "base flood" means a flood having a one (1) percent chance of being equaled or exceeded in any given year. The boundaries of the one hundred (100) year flood include both the floodway and the flood fringe areas as shown on the Federal Emergency Management Agency (FEMA) Flood Insurance Rate Maps.

Flood Boundary and Floodway Maps (Floodway). "Flood Boundary and Floodway Maps" means the official maps on which the Federal Insurance Administration has delineated both the areas of flood hazard and the floodway.

Flood Elevation. "Flood elevation" means the elevation of the water surface of the base flood based on the National Geodetic Vertical Datum (NGVD) of 1929.

Flood Elevation, Increase In. "Increase in flood elevation" means an increase in flood elevation of more than one (1) foot at any point.

Flood Fringe. "Flood fringe" means the area of the one hundred (100) year flood, exclusive of the floodway, as shown on the Flood Insurance Rate Maps, and any area determined by the Floodplain Administrator to have a one (1) percent or greater probability of flood in a given year.

Flood Hazard Areas. "Flood hazard areas" means the area designated by the Federal Emergency Management Agency as being flooded by the base flood, and is designated as "Zone A, AO, AH, AE and A99" on the Flood Insurance Rate Maps.

Flood Height. "Flood height" means the depth of the floodwater during the one hundred (100) year flood, computed as the difference between the elevation of the one hundred (100) year floodwater surface and the elevation ground surface at a given point in the flooded area.

Flood Insurance Rate Maps (FIRM). "Flood Insurance Rate Maps" means the official maps on which the Federal Insurance Administration has delineated the flood hazard area, the limited flooding area and the risk premium zones applicable to the community.

Flood Insurance Study (FIS). "Flood Insurance Study" means the official report provided by the Federal Emergency Management Agency that includes flood profiles, the Flood Insurance Rate Maps, the Flood Boundary and Floodway Maps, and the water surface elevation of the base flood.

Floodplain. "Floodplain" means any land area susceptible to being inundated by water from any source.

Floodplain Administrator. "Floodplain Administrator" means the person appointed to administer and implement the provisions of Article 416 of this Development Code.

**DRAFT: April 20, 2021**

Floodplain Management. "Floodplain management" means the operation of an overall program of corrective and preventive measures for reducing flood damage.

Floodproofing. "Floodproofing" means any combination of structural and nonstructural additions, changes or adjustments to structures which reduce or eliminate flood damage to real estate or improved property, water and sanitary facilities, structures and their contents.

Floodway. "Floodway" means the channel of a river or other watercourse and the adjacent land areas that must be reserved in order to discharge the base flood without cumulatively increasing the water surface elevation more than one (1) foot. The floodway is delineated on the Flood Boundary and Floodway Maps.

Floor Area Ratio (FAR). "Floor area ratio" means the ratio of floor area permitted on a lot to the size of the lot. For example, a permitted FAR of 6.0 on a 10,000 square foot lot would allow a building with a total floor area of 60,000 square feet.

Front Line. "Front line" means the narrowest lot dimension fronting on a street.

Front Yards. See "Yard, Front."

Fuel Management. "Fuel management" means treating or controlling any vegetative material which adversely affects meeting fire management direction based upon resource management goals and objectives.

Fuelbreak. "Fuelbreak" means a strip of land, strategically placed for fighting anticipated fires, where hazardous fuels have been replaced with less burnable fuels (like grass). They divide fire-prone areas into smaller parcels for easier fire control and provide access for fire fighting.

Fuels. "Fuels" mean any material capable of sustaining or carrying a wildfire, usually natural material both live and dead.

Gaming. "Gaming" means any legally constituted gambling enterprise authorized under the laws of the State of Nevada other than slot machines when such machines are operated incidentally to the conduct of a licensed retail business.

Geothermal Resource. "Geothermal resource" means the natural heat of the earth and the energy associated with the natural heat, pressure and all dissolved or entrained minerals, but excluding hydrocarbons and helium, that may be obtained from the medium used to transfer that heat.

Governing Body. "Governing body" refers to the Washoe County Board of County Commissioners, unless otherwise clearly indicated.

Government Patent Easement. "Government patent easement" means an easement granted through a patent by the federal government for a public purpose, generally for public access and utility purposes.

Grade. "Grade" is the lowest point of elevation of the finished surface of the ground, paving or sidewalk within the area between the building and the property line or, when the property line is more than 5 feet from the building, between the building and a line 5 feet from the building.

Gradient. "Gradient" is the slope of a lot measured as the difference in elevation of finished grade between the midpoint of the front property line and the farthest opposite point of the lot depth.

Grading. "Grading" means removal of trees and shrubs with surface soil grading for smoothness.

**DRAFT: April 20, 2021**

Greenbelt. "Greenbelt" means an area where measures such as fuel management, land use planning and development standards are applied to mitigate fire, flood and erosion hazard. More traditionally, an irrigated landscaped buffer zone between development and wildlands, usually put to additional uses (e.g. golf course, park, etc.).

Gross Density. "Gross density" is the ratio of the total number of units to the total site area.

Ground Cover. "Ground cover" means low, dense-growing plants such as shrubs or vines, or inert materials such as rock or bark used to cover bare ground.

Ground Water Recharge. "Ground water recharge" means the infiltration of water into the earth. It may increase the total amount of water stored underground or only replenish the groundwater supply depleted through pumping or natural discharge. The natural or intentional infiltration of surface water into the Zone of Saturation (i.e. into the Ground Water). Also, the inflow of water to a ground water reservoir (Zone of Saturation) from the surface. Infiltration of precipitation and its movement to the water table is one form of natural recharge.

Group Foster Home. "Group foster home" means a natural person, partnership, firm, corporation or association who provides full-time care for seven (7) to fifteen (15) children who are:

- (a) Under eighteen (18) years of age;
- (b) Not related within the first degree of consanguinity or affinity to any natural person maintaining or operating the home; and received, cared for, and
- (c) Maintained for compensation or otherwise, including the provision of permanent free care.

Halfway House for Recovering Alcohol and Drug Abusers. "Halfway house for recovering alcohol and drug abusers" means a residence that provides housing and a living environment for recovering alcohol and drug abusers and is operated to facilitate their reintegration into the community, but does not provide any treatment for alcohol or drug abuse. The term does not include a facility for transitional living for released offenders.

Hallway. "Hallway" means a completely enclosed corridor, passageway, or other similar enclosed space that connects two (2) separate rooms, or ingress and egress points, and which is not intended nor designed as habitable space. A hallway shall not be used to connect two (2) separate dwelling units.

Hedge. "Hedge" means a dense row of plant material, such as shrubs, which are arranged to form a boundary or screen.

Highest Existing Grade. "Highest existing grade" means the highest natural elevation of the ground surface prior to construction next to the proposed walls of a structure.

Hillside Development. "Hillside development" means any development including individual lots which has slopes greater than fifteen (15) percent on twenty (20) percent or more of the site.

Historic Structure. "Historic structure" means any structure that is:

- (a) Listed individually in the National Register of Historic Places (a listing maintained by the Department of the Interior) or preliminarily determined by the Secretary of the Interior as meeting the requirements for individual listing on the National Register;

**DRAFT: April 20, 2021**

- (b) Certified or preliminarily determined by the Secretary of the Interior as contributing to the historic significance of a registered historic district or a district preliminarily determined by the Secretary of the Interior to qualify as a registered historic district;
- (c) Individually listed on a state inventory of historic places in states with historic preservation programs which have been approved by the Secretary of the Interior; or
- (d) Individually listed on a local inventory of historic places in communities with historic preservation programs that have been certified either:
  - (1) By an approved state program as determined by the Secretary of the Interior; or
  - (2) Directly by the Secretary of the Interior in states without approved programs.

Home for Individual Residential Care. "Home for individual residential care" means a home in which a natural person furnishes food, shelter, assistance and limited supervision, for compensation, to not more than two (2) persons with mental retardation or with disabilities or who are aged or infirm, unless the persons receiving those services are related within the third degree of consanguinity or affinity to the person providing those services. The term does not include:

- (a) A halfway house for recovering alcohol and drug abusers; or
- (b) A home in which supported living arrangement services are provided to assist individuals in maximizing his independence, including without limitation training and habitation services.

Hoop House/High Tunnel. "Hoop House" or "High Tunnel" means an enclosure that is used to cover and protect crops from sun, wind, excessive rainfall, or cold, to extend the growing season in an environmentally safe manner and having a life span of approximately 5 years. The coverings for these enclosures utilize flexible, not rigid materials.

Hotel. "Hotel" means a building occupied or intended to be occupied, for compensation, as the temporary residence for transient guests, primarily persons who have residence elsewhere, with an interior hall and lobby.

House Construction Factory. "House construction factory" means a building used for the construction of a single or multiple family dwelling, or the assembly of prefabricated single or multiple family dwelling components, or a combination of the above-described procedures, which results in a completed single or multiple family dwelling that can be transported to a lot for which service has been provided and which has been improved to accommodate the installation of the dwelling.

Household. "Household" means the person or persons occupying a housing unit.

Impervious Surface. "Impervious surface" means the surface through which water cannot penetrate, such as a roof, road, sidewalk or paved parking area.

Incorporated City. "Incorporated city" means a city incorporated under the laws of the State of Nevada.

Infrastructure. "Infrastructure" means the basic facilities such as roads, schools, power plants, transmission lines, transportation and communication systems on which the continuance and growth of a community depends.

Inoperable Vehicle. "Inoperable vehicle" means a vehicle, as defined by NRS 482.135, which:

**DRAFT: April 20, 2021**

- (a) Does not display current license plates (from any state) registered to the vehicle; and,
- (b) Is visibly damaged, wrecked, dismantled, in serious disrepair, deteriorating (rusting, rotting) or missing major components, or is being salvaged, parted out, prepared for crushing, shredding or scrapping; and,
- (c) Is not awaiting disposition instructions as a result of a collision.

Interior Lot. See " Lot, Interior."

Junkyard. "Junkyard" means any space for storage, abandonment or sale of junk, scrap material or similar waste, including the dismantling, demolition or abandonment of automobiles, other vehicles, machinery or parts. Junkyard shall be synonymous with salvage yard.

Kitchen. "Kitchen" means a room or space within a room equipped with such electrical or gas hook up that would enable the installation of a range, oven, or like appliance using 220/40 volts or natural gas (or similar fuels, such as propane) for the preparation of food, and also containing either or both a refrigerator and sink for the washing and/or disposal of food.

Landscaped Buffer. "Landscaped buffer" means an area of landscaping which separates two (2) distinct land uses, or a land use and a public right-of-way, and which acts to soften or mitigate the effects of one (1) land use on the other.

Landscaping. "Landscaping" means an area devoted to and maintained with a mixture of existing or new native or exotic plants such as turf, groundcover, shrubs, flowers, vines and trees, as well as additional complementary decorative features such as rocks, decorative pavement, fountains, pools, sculpture and decorative wall.

Ldn. "Ldn" means the average equivalent A-weighted sound level during a 24-hour day obtained by adding ten decibels to the hourly noise levels measured during the night (10:00 p.m. to 7:00 a.m.). In this way, Ldn takes into account the lower tolerance of people for noise during nighttime periods. Ldn noise level measurements are typically plotted onto a map to identify noise contours around a significant noise generator (e.g. freeways, airports, etc.).

Limited Gaming. "Limited gaming" means gaming enterprises authorized by the State Gaming Control Board whereby any person or gaming establishment may be issued a limited gaming license or have such conditions placed on a gaming license as necessary to protect the public interest.

Livestock. "Livestock" means:

- (a) All cattle or animals of the bovine species;
- (b) All horses, mules, burros and asses or animals of the equine species;
- (c) All goats or animals of the caprine species;
- (d) All swine or animals of the porcine species; and
- (e) All sheep or animals of the ovine species.

Loading Space. "Loading space" means an off-street space or berth on the same lot with a building or contiguous to a group of buildings for the temporary parking of vehicles while handling merchandise or materials.



**DRAFT: April 20, 2021**

Lot. "Lot" means a distinct part or parcel of land divided with the intent to transfer ownership or for building purposes, which abuts upon a permanent means of access and is assigned a single parcel number by the Washoe County Assessor's Office.

Lot, Corner. "Corner lot" means a lot situated at the intersection of two (2) or more streets or a lot that abuts one (1) street that changes directions, curves or turns around the lot with an interior angle of 135 degrees or less.

Lot, Interior. "Interior lot" means either (a) a lot bounded by a street on only one (1) side; or, (b) a lot situated at the intersection of (2) streets having an interior angle of one hundred thirty-five (135) degrees or more; or, (c) a lot that has continuous street frontage on only one (1) street and when the curvature of the lot along the street frontage exceeds one hundred thirty-five (135) degrees or more.

Lot, Through. "Through lot" means a lot bounded by two (2) streets that do not intersect at the boundaries of the lot.

Lot Coverage. "Lot coverage" is a measure of intensity of land use which represents the portion of a site that is impervious (i.e. does not absorb water). This portion includes, but is not limited to, all areas covered by buildings, parking structures, driveways, roads, sidewalks, and any areas of concrete asphalt. In the case of lumberyards, areas where lumber is stored also constitutes impervious surfaces.

Lot Depth. "Lot depth" is the distance between the front and rear lot lines measured in the mean direction of the side lines.

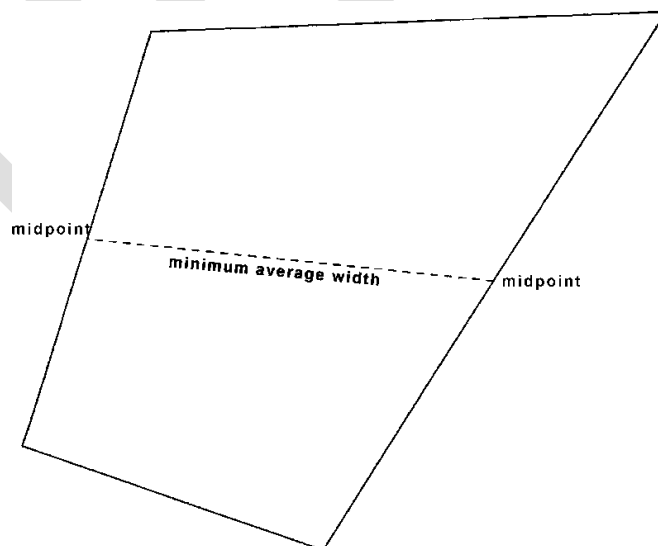
Lot Size. "Lot size" is the total square footage of a lot.

Lot Width. "Lot width" may be determined in one of the following three ways:

- (a) The distance between the side lot lines measured at right angles to the lot depth at a point midway between the front and rear line (see Figure 110.902.15LW1);

Figure 110.902.15.LW1

DISTANCE BETWEEN SIDE LOT LINES



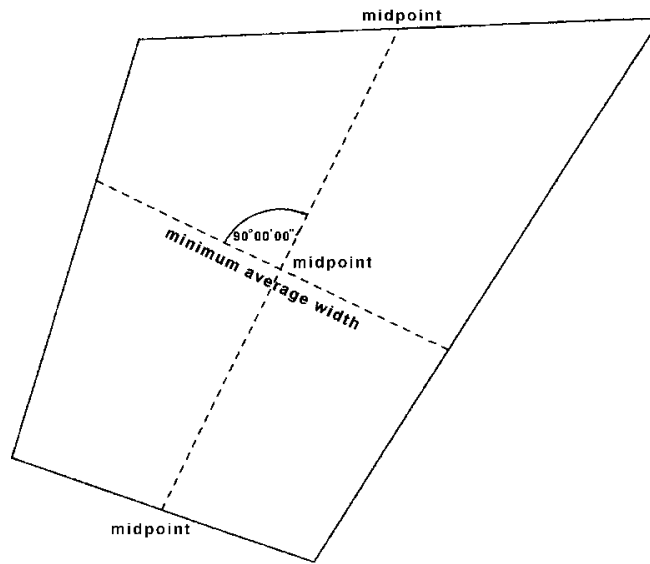
Source: George Lindesmith, PLS.

DRAFT: April 20, 2021

- (b) The distance between the midpoints of the side lot lines (see Figure 110.902.15LW2); or  
Figure 110.902.15.LW2

DISTANCE BETWEEN MIDPOINTS

---

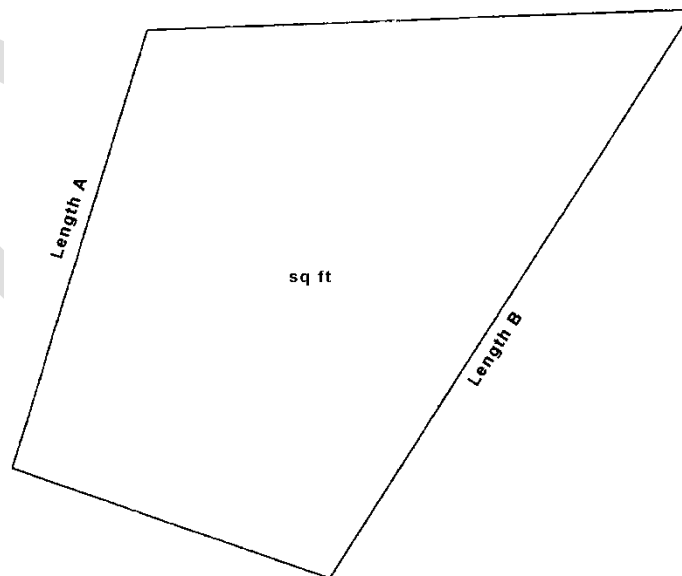


Source: George Lindesmith, PLS.

- (c) Area/Average Depth = Average Width (see Figure 110.902.15LW3).  
Figure 110.902.15.LW3

AREA/AVERAGE WIDTH

---



$$\text{Area/Average Depth} = \text{Average Width}$$
$$\text{Area Sq Ft} / \frac{\text{Length A} + \text{Length B}}{2} = \text{Average Width}$$

**DRAFT: April 20, 2021**

---

Source: George Lindesmith, PLS.

Lowest Floor. "Lowest floor" means the lowest floor of the lowest enclosed area (including basement). An unfinished or flood resistant enclosure, usable solely for parking of vehicles, building access or storage, in an area other than a basement area is not considered a building's lowest floor, provided that such enclosure is not built so as to render the structure in violation of the applicable non-elevation design requirements.

Main Building. "Main building" means a building devoted to the principal use of the lot on which it is situated.

Major Subdivision. "Major subdivision" means a subdivision which contains five (5) or more lots, parcels, sites, units, plots or interests.

Manufactured Home. "Manufactured home" is a dwelling unit fabricated in an off-site manufacturing facility for installation or assembly at the building site, bearing the label certifying that it is built in compliance with the Federal Manufactured Housing Construction and Safety Standards in effect on the date of manufacture. A manufactured home is further defined by Nevada Revised Statute (NRS 489.113). A manufactured home is not a mobile home, nor a modular home.

Manufactured Home Park Site. "Manufactured home park site" is the entire tract of land used for a manufactured home park.

Manufactured Home Space. "Manufactured home space" is the area in a manufactured home park that is rented or leased to the occupant or occupants of a manufactured home.

Manufactured Home Subdivision. "Manufactured home subdivision" is a subdivision designed and/or intended for the sale of lots for siting manufactured homes.

Master Plan. "Master Plan" means the Washoe County Master Plan including both countywide elements and area plans, and a number of more detailed plans and studies related to the plans.

Median Income or County Median Income. "Median income" or "County median income" means the level of income in Washoe County whereby one-half (1/2) of the population earns greater than that level of income and one-half (1/2) of the population earns less than that level of income. Median income is determined on a yearly basis by the Department of Housing and Urban Development.

Military Installation. "Military installation" means a base or facility at which or from which the Air Force, Army, Coast Guard, Marine Corps, Navy, Air Force Reserve, Army Reserve, Coast Guard Reserve, Marine Corps Reserve, Navy Reserve or National Guard conducts exercises, maneuvers, operations, patrols or training.

Minor Subdivision. "Minor subdivision" means a subdivision which contains four (4) or less lots, parcels, sites, units, plots or interests.

Minute Action. "Minute action" means an official final decision made by the Board of County Commissioners, as recorded in the County Clerk's minutes.

Mobile Home. "Mobile home" is a transportable, fabricated home, designed to be used as a year-round residential dwelling and built prior to enactment of the Federal Manufactured Housing Construction and Safety Standards Act of 1974, which became effective June 15, 1976. A mobile home, further defined by Nevada Revised Statute (NRS 489.120), does not bear an insignia of approval that the dwelling unit was

**DRAFT: April 20, 2021**

built in compliance with NRS Chapter 461. A mobile home is not a manufactured home, nor a modular home.

Mobile Home Park. "Mobile home park" means a tract of land under single ownership within which two (2) or more manufactured homes are occupied as residences on a permanent or semi-permanent basis. The homes are located on spaces that are rented or leased. Special facilities for the common use of the occupants may be included.

Mobile Home Park Site. "Mobile home park site" is the entire tract of land used for a mobile home park.

Modular Home. "Modular home" is a dwelling unit fabricated in an off-site manufacturing facility for installation or assembly at the building site, bearing a label certifying that it is built in compliance with local International Building Code standards and further meets all requirements of County Code Chapter 100. Modular homes shall be subject to the same permit process as site-built homes. A modular home is not a manufactured home, but includes what is commonly referred to as a panelized home.

Motel. "Motel" means a building occupied or intended to be occupied, for compensation, as the temporary residence for transient guests, primarily persons who have residence elsewhere, with access to each room or unit from an outside porch or landing (whether or not such outside porch or landing is enclosed with screen, glass, plastic or similar material).

Mulch. "Mulch" means an organic or inorganic material applied to landscaped areas to help minimize evaporation from the soil, reduce weeds, moderate soil temperatures and slow erosion.

National Register of Historic Places. "National Register of Historic Places" means the listing maintained by the U.S. National Park Service of areas which have been designated as historically significant. The Register includes places of local and state significance, as well as those of value to the nation in general.

Natural Area. "Natural area" means a land area which is unimproved and not occupied by any structures or man-made elements, and set aside for the conservation of permanent, undisturbed open space.

Net Density. "Net density" is the ratio of the total number of units to the site area minus the area of the streets, parking areas and undevelopable land.

Nevada Natural Heritage Site. "Nevada Natural Heritage Site" means areas of land or water which either:

- (a) Have unusual flora, fauna, geological, scenic or similar features of scientific, educational or recreational interest; or
- (b) Retain some degree, or have re-established, a natural character (although it need not be completely undisturbed).

Non-municipal Air Strips and Glider Ports. "Non-municipal air strips and glider ports" means any Federal Aviation Administration (FAA) recognized public use landing area, privately owned and operated for scheduled or non-scheduled air transportation activities, where commercial uses and aviation related commerce can occur. Such use may include provision of landing privileges, hangar and tie-down lease/rental spaces, fuel and lubrication service, flight instruction, plane rental, mechanical repairs, or any other form of aviation commerce. Uses can also include scenic and sightseeing transportation service including helicopter rides, glider plane rides, air balloon rides, ultra-light and experimental aircraft activities and aircraft charters. The term "non-municipal air strips and glider ports" does not apply to public airports operated by any federal, state or local government agencies. The term also does not apply to a personal landing field that is used for fixed-wing aircraft or helicopter landing operations that are incidental and ancillary to established allowable uses including, but not limited to, agricultural,

**DRAFT: April 20, 2021**

ranching or mining activities, as long as no aviation related commerce is conducted at the personal landing fields.

NRS. "NRS" means Nevada Revised Statutes.

Open Space, Common. "Common open space" means the total land area, not individually owned or dedicated for public use, which is designed and intended for the common use or enjoyment of the residents or occupants of the development. Common open space includes swimming pools, putting greens and other recreational-leisure facilities; areas of scenic or natural beauty and habitat areas; hiking, riding or off-street bicycle trails; and landscaped areas adjacent to roads which are in excess of minimum required rights-of-way.

Open Space, Private. "Private open space" means the outdoor living area directly adjoining a dwelling unit or building which is intended for the private enjoyment of the residents or occupants of the dwelling unit or building and which is defined in such a manner that its boundaries are evident.

Open Space Use. "Open space use" means the current employment of land, the preservation of which use would conserve and enhance natural or scenic resources, protect streams and water supplies or preserve sites designated as historic pursuant to law, provided such land has a greater value for another use than for open space use.

Outdoor Storage. "Outdoor Storage" means the outside placement of items and materials that are incidental to the existing principal use of the property, except as provided for under Section 110.306.35(d), for a period of more than seventy-two (72) consecutive hours. Outdoor storage is further defined and regulated in the Washoe County Nuisance Code (WCC Sections 50.300 to 50.310, inclusive).

Parcel Map. "Parcel map" means a map for a minor subdivision.

Parcel of Land. "Parcel of land" means any unit or contiguous units of land assigned a single parcel number by the Washoe County Assessor's Office.

Parking Area. "Parking area" means an open area, excluding a street or other public right-of-way, used for the parking of vehicles and available to the public, whether for free or for compensation.

Permanent Employee Housing. "Permanent employee housing" means housing for employees of an isolated industrial, mining, railroad, highway, utilities or agricultural based use where those employees occupy the housing on a permanent basis year round. This development may occur on a single parcel or multiple parcels.

Permitted Water Rights. "Permitted water rights" means the right, in accordance with NRS Chapter 533 and as approved by the Nevada State Engineer, to appropriate public waters, or to change the place of diversion, manner of use or place of use of water already appropriated.

Perennial Stream. "Perennial stream" means a stream that flows from source to mouth throughout the year. This definition does not apply to a man-made watercourse constructed for irrigation, aesthetic or other purposes.

Person. "Person" means a firm, association, corporation, partnership or an individual.

Personal Landing Field. "Personal landing field" means a private use aviation landing area that is used for fixed-wing aircraft or helicopter landing operations that are incidental and ancillary to established allowable land uses including, but not limited to, agricultural, ranching or mining activities, as long as no aviation related commerce is conducted at the personal landing fields. Personal landing fields do not

**DRAFT: April 20, 2021**

engage in scheduled or non-scheduled air transportation activities, or in any scenic and sightseeing transportation service, or any other form of aviation commerce. The term "personal landing field" does not apply to "non-municipal air strips and glider ports," or to public airports operated by any federal, state or local government agencies.

Placement. "Placement" means the issuance of a set-up permit by the Building and Safety Department for a manufactured home or mobile home.

Planting Area. "Planting area" means an area devoted to or maintained predominantly with native or exotic plants including turf, groundcover, shrubs, flowers, vines and trees with a limited portion of complementary decorative features.

Plumbing Fixture. A "plumbing fixture" is a receptacle, device, or appliance that is supplied with water or which receives liquid or liquid-borne wastes, and which discharges into a drainage system to which it may be directly or indirectly connected.

Police Powers. "Police powers" means powers reserved to the states by the U.S. Constitution and delegated to cities and counties through the Nevada Constitution and the Nevada Revised Statutes; it is the authority to create and enforce ordinances and regulations that are not in conflict with general laws in order to promote the health, safety and general welfare of the public.

Print. "Print" means and includes a blueprint, photostat, direct process print or other copy which reproduces exactly the original drawing from which it was made.

Private Communication Antenna. "Private communication antenna" means any system of wires or poles or similar devices, excluding satellite dish antennas, used for the transmission or reception of electromagnetic waves by federally licensed amateur radio or citizen band radio operators, which system is external to or attached to the exterior of any building.

Private Garage. "Private garage" means a space intended for or used by the private automobiles of families resident upon the lot.

Public Garage. "Public garage" means a building for the repair, storage or hire of motor vehicles.

Rear Line. "Rear line" means the lot line most directly opposite the front line. A parcel of land may have only one (1) rear line.

Rear Yard. See "Yard, Rear."

Recreational Vehicle. "Recreational vehicle" means a vehicular structure that is primarily designed as temporary living quarters for travel, recreation and camping uses. A recreational vehicle can be self-propelled, mounted on, or towed by a separate vehicle.

Recreational Vehicle Park. "Recreational vehicle park" means a tract of land for the transient use by two or more recreational vehicles.

Regional Plan. "Regional Plan" means the Truckee Meadows Regional Plan.

Required Area. "Required area" means the minimum area of a lot or parcel necessary to permit its use under the provisions of the Development Code. Required area refers to:

- (a) Any lot shown as part of a subdivision recorded as a final plat in the manner provided by law;

**DRAFT: April 20, 2021**

- (b) Any parcel of land separated as a lot prior to the adoption and effective date of the original Washoe County Land Use Ordinance or the adoption of additional regulatory zones; or
- (c) Any lot or parcel of land which has an area not less than that required in the respective regulatory zone.

Residential Facility for Groups. "Residential facility for groups" means an establishment that furnishes food, shelter, assistance and limited supervision to a person with mental retardation or with a disability or a person who is aged or infirm. The term includes, without limitation, an assisted living facility. The term does not include:

- (a) An establishment which provides care only during the day;
- (b) A natural person who provides care for no more than two (2) persons in his or her own home;
- (c) A natural person who provides care for one (1) or more persons related to him or her within the third degree of consanguinity or affinity;
- (d) A halfway house for recovering alcohol and drug abusers; or
- (e) A facility funded by a division or program of the Department of Health and Human Services.

Revegetation. "Revegetation" means stabilizing disturbed or graded soils after construction by replanting with indigenous or natural appearing plants.

Ridgeline. "Ridgeline" means the topmost line connecting the series of highest elevation points of a ridge, running center and parallel to the long axis of the ridge and from which all water drains down.

Ridgeline, Significant. "Significant ridgeline" means the topmost line connecting the series of highest elevation points of a ridge, as identified on the Development Suitability map for each planning area included in Volume Two: Area Plans of the Washoe County Master Plan.

Right-of-Way. "Right-of-way" is a strip of land occupied or intended to be occupied by a publicly dedicated street, including the pavement, sidewalks and parkways, crosswalk, railroad, electric transmission line, oil or gas pipeline, water main, sanitary or storm sewer main, shade streets or other special use.

Riparian. "Riparian" means related to or located on the bank of a natural water course.

Riparian Habitat. "Riparian habitat" means the land and plants bordering a watercourse or lake.

Room. "Room" is space in a structure for living, sleeping, eating or cooking. Bathrooms, toilet compartments, closets, halls, storage or utility space, and similar areas, are not considered habitable space and therefore, not a room.

Roominghouse. "Roominghouse" means a building or portion thereof (not a motel) where, for compensation, lodging is provided for more than three (3) guests.

Runoff. "Runoff" means that part of precipitation which flows over the land without filtering into the soil.

**DRAFT: April 20, 2021**

Rural Regulatory Zones. "Rural regulatory zones" means the Low Density Rural Regulatory Zone, Medium Density Rural Regulatory Zone, and High Density Rural Regulatory Zone.

Satellite Dish Antenna. "Satellite dish antenna" means a device incorporating a reflective surface that is solid, open mesh or bar configured and is in the shape of a shallow dish, cone, horn or cornucopia. Such device shall be used to transmit and/or receive radio or electromagnetic waves between terrestrially and/or orbitally based uses. This definition is meant to include, but not be limited to, what are commonly referred to as satellite earth stations, TVROs (television reception only satellite dish antennas), and satellite microwave antennas.

Scenic Corridor. "Scenic corridor" means a roadway with recognized high quality visual amenities that include background vistas of mountains, open country or city.

School. "School" means an institution of learning which offers instructions in the several branches of learning required to be taught in the public schools of the State of Nevada.

Screen. "Screen" means to provide physical separation and complete visual obscuration of one area from another on all sides and in all seasons. Such separation must be at least six (6) feet high and includes, but is not limited to, the combination or individual use of a fence, decorative wall, structure, earth berm or dense landscaping.

Section 404 (Clean Water Act). "Section 404 (Clean Water Act)" means that section of the Clean Water Act delineating restrictions on the dredging and filling (only) of Wetlands in the United States. While Section 404 Permits are issued by the U.S. Army Corps of Engineers (COE), Section 404 regulations are written by the U.S. Environmental Protection Agency (EPA).

Section 404 (Clean Water Act) Permit. "Section 404 (Clean Water Act) Permit" means the Wetland dredge and fill permit issued under regulations written to conform to Section 404 of the Clean Water Act. The permit is actually granted by the U.S. Army Corps of Engineers (COE).

Sedimentation. "Sedimentation" means the act or process of depositing sediment from suspension in water. All the processes whereby particles of rock material are accumulated to form sedimentary deposits. Sedimentation, as commonly used, involves not only aqueous but also glacial, aeolian, and organic agents. (Water Quality) Letting solids settle out of wastewater by gravity during treatment.

Service Standards. "Service standards" means a measurement of municipal services used to monitor or compare services provided by the County and other service providers.

Setback. "Setback" means the required distance between every structure and the lot line of the lot on which the structure(s) is located.

Shrubs. "Shrubs" means a self-supporting woody species of plants characterized by persistent stems and branches springing from the base.

Side Yard. See "Yard, Side."

Site-Built Home. "Site-built home" means a dwelling unit where the major components are fabricated and assembled at the building site or a dwelling unit constructed at a house construction factory located within Washoe County. Site-built homes shall comply with Washoe County building codes and other adopted local codes.

Slope. "Slope" means an inclined ground surface expressed as a ratio of horizontal distance to vertical distance.



**DRAFT: April 20, 2021**

Slaughter House, Agricultural. "Agricultural slaughter house" means a building used as an ancillary structure on a farm or ranch for the non-profit slaughtering of animals raised on-site and the processing and storage of animal products and waste that results from a slaughtering process.

Slaughter House, Commercial. "Commercial slaughter house" means a building used for the for-profit slaughtering of animals that are either raised on-site or transported to the building and the processing and storage of animal products and waste that results from a slaughtering process.

Solar Energy. "Solar energy" means energy derived from the sun's rays.

Specific Plan. "Specific plan" means a plan prepared for a portion of an area plan which prescribes uses and development standards for that portion.

Story. "Story" is that portion of a building included between the upper surface of any floor and the upper surface of the floor next above, except that the topmost story shall be that portion of a building included between the upper surface of the topmost floor and the ceiling or roof above. If the finished floor level directly above a usable or unused under-floor space is more than six (6) feet above grade as defined herein for more than fifty (50) percent of the total perimeter or is more than twelve (12) feet above grade as defined herein at any point, such usable or unused under-floor space shall be considered as a story.

Story, First. "First story" is the lowest story in a building which qualifies as a story, as defined herein, except that a floor level in a building having only one (1) floor level shall be classified as a first story, provided such floor level is not more than four (4) feet below grade, as defined herein, for more than fifty (50) percent of the total perimeter, or more than eight (8) feet below grade, as defined herein, at any point.

Stream. "Stream" means a general term for a body of flowing water; natural watercourse containing water at least part of the year. In hydrology, the term is generally applied to the water flowing in a natural channel as distinct from a canal. Some classifications of streams include, in relation to time:

- (a) Ephemeral Streams. Streams that flow only in direct response to precipitation and whose channel is at all times above the water table.
- (b) Intermittent or Seasonal Streams. Streams that flow only at certain times of the year when it receives water from springs, rainfall, or from surface sources such as melting snow.
- (c) Perennial Streams. Streams that flow continuously.

Streambanks. "Streambanks" mean the usual boundaries, not the flood boundaries, of a stream channel. Right and left banks are named facing downstream (in the direction of flow).

Street. "Street" means a public right-of-way or easement which affords a primary means of access to abutting property.

Structure. "Structure" means a walled and roofed building or manufactured home, including a gas or liquid storage tank that is primarily above ground. "Structure" does not include a tent, trailer or vehicle.

Subdivider. "Subdivider" means any person or persons, firm, corporation, partnership or association that causes land to be divided into a subdivision for himself or itself or for others. A consultant, engineer or surveyor who does not hold title to the land is not considered a subdivider.

Subdivision. "Subdivision" means any land, vacant or improved, which is divided or proposed to be divided vacant or improved, into two (2) or more lots, parcels, sites, units or plots for the purposes of any

**DRAFT: April 20, 2021**

transfer, development or any proposed transfer or development unless exempted by one of the following provisions:

- (a) "Subdivision" does not apply to any division of land which creates lots, parcels, sites, units or plots of land each of which comprise forty (40) or more acres of land, or 1/16 of a section, including roads and roadway easements, which is subject to the provisions of Article 612.
- (b) Any joint tenancy or tenancy in common shall be deemed a single interest in land.
- (c) Unless a method of disposition is adopted for the purpose of evading this Development Code or would have the effect of evading this Development Code, the term "subdivision" does not apply to:
  - (1) Any division of land which is ordered by any court in this state or created by operation of law;
  - (2) A lien, mortgage, deed of trust or any other security instrument;
  - (3) A security or unit of interest in any investment trust regulated under the laws of this state or any other interest in an investment entity;
  - (4) Cemetery lots; or
  - (5) An interest in oil, gas, minerals or building materials which are not or hereafter severed from the surface ownership or real property.
- (d) "Subdivision" does not apply to creation of parcels of more than (10) acres for agricultural purposes if a street, road or highway opening, widening or easement of any kind is not involved.
- (e) For the purposes of the definition "subdivision," any interest in land created or established as joint tenancy or a tenancy in common shall be a single interest and not an interest in common, if, and only if, the use or development or the proposed use or development of such land would not be a subdivision as defined in this section if undertaken or proposed by a single entity, whether corporate or an individual. See "Major Subdivision" and "Minor Subdivision."

**Substantial Improvement.** "Substantial improvement" means any repair, reconstruction, additions or other improvement of a structure, the cost of which equals or exceeds fifty (50) percent of the market value of the structure either before the improvement or addition is started or, if the structure has been damaged, before the damage occurred, regardless of the actual repair work performed. For the purpose of this definition, "substantial improvement" is considered to occur when the first alteration of any wall, ceiling, floor or other structural part of the building commences, whether or not that alteration affects the external dimensions of the structure. "Substantial improvement" does not include:

- (a) Any project for improvement of a structure to comply with existing state or local health, sanitary or safety code specifications; or
- (b) Any alteration of a structure listed on the National Register of Historic Places or a State Inventory of Historic Places.

**DRAFT: April 20, 2021**

- (1) "Substantial improvement" is considered to occur when the first alteration of any wall, ceiling, floor or other structural part of the building commences, whether or not that alteration affects the external dimensions of the structure; and
- (2) "Substantial improvement" does not include improvement of a structure solely to comply with existing state or local health, sanitary or safety code specifications, or any alteration of a structure listed on the National Register of Historic Places or a State Inventory of Historic Places.

Suburban Regulatory Zones. "Suburban regulatory zones" means the Low Density Suburban Regulatory Zone, Medium Density Suburban Regulatory Zone, and High Density Suburban Regulatory Zone.

Surface Runoff. "Surface runoff" means water that results from precipitation which is not absorbed by the soil, evaporated into the atmosphere or entrapped by ground surface depressions and vegetation, and which flows over the ground surface to adjoining properties, storm drains or waterways.

Surveyor. "Surveyor" means a land surveyor registered pursuant to NRS Chapter 625.

Temporary Employee Housing. "Temporary employee housing" means housing for employees of an isolated industrial, mining, railroad, highway, utilities or agricultural based use where those employees occupy the housing on a seasonal basis not more than six (6) months per year. This development may occur on a single parcel or multiple parcels.

Tentative Parcel Map. "Tentative parcel map" means a map which is filed pursuant to Article 606, conforming to the standards and requirements set forth therein.

Tentative Subdivision Map. "Tentative subdivision map" means a preliminary map made to show lot lines, roads, buildings, rights-of-ways and other design factors of a proposed subdivision.

Terrace. "Terrace" means a relatively level step constructed in the face of a graded slope surface for drainage, maintenance and/or development purposes.

Threatened Species. "Threatened species" means any species which is likely to become an endangered species within the foreseeable future and which has been designated in the Federal Register as a threatened species.

Through Lot. See "Lot, Through."

Topography. "Topography" means configuration of a surface, including its relief and the position of natural and man-made features.

Topsoil. "Topsoil" means the upper part of the soil profile that is relatively rich in humus, known in agronomy as the "A-horizon."

Total Developed Land Area. "Total developed land area" means that portion of a property which is disturbed for development purposes including, but not limited to, areas covered by buildings, landscaping, impervious surfaces and other areas graded or excavated to support the development.

Trailer Coach. See "Mobile Home."

Travel Trailer. See "Recreational Vehicle."

Tree. "Tree" means a large, woody perennial plant with one main trunk or multiple trunks, and many branches.

**DRAFT: April 20, 2021**

Unladen Weight. "Unladen weight" means the weight of any vehicle without load, but fully equipped with accessories and appliances belonging to and used by such vehicle in the transportation of persons or property.

Uplighting. "Uplighting" means a source of light where the center of the light beam is at an angle greater than the horizontal.

Urban Regulatory Zones. "Urban regulatory zones" means the Low Density Urban Regulatory Zone, Medium Density Urban Regulatory Zone, and High Density Urban Regulatory Zone.

Use or Land Use. "Use" or "land use" means the primary or primary and secondary use(s) of land such as single family residential, multi-family residential, commercial, industrial, agriculture, etc. The description of a particular land use should convey the dominant character of a geographic area and, thereby, establish types of activities which are appropriate and compatible with primary use(s).

Used. "Used" includes "arranged," "designed" or "intended to be used."

Vegetation, Native. "Native vegetation" means plants that grow naturally in Washoe County, Nevada and have adapted to the climate, soil, location and rainfall patterns of their area.

Vegetation, Natural. "Natural vegetation" means plants which exist on a site before clearing or grading.

Viewshed. "Viewshed" means the surface area that can be seen from a specific viewpoint.

Vista. "Vista" means an area of high ground or projecting earth from which there is a dominant and unobstructed view of surrounding areas.

Watercourse. "Watercourse" means any natural or artificial watercourse, stream, river, creek, ditch, channel, canal, conduit, culvert, drain, gully, ravine, arroyo or wash in which water flows in a definite channel, bed or bank.

Waters of the State (Defined) (Nevada Revised Statutes 445A.415). "Waters of the State" means all waters situated wholly or partly within or bordering upon the State of Nevada, including, but not limited to:

- (a) All streams, lakes, ponds, impounding reservoirs, marshes, water courses, waterways, wells, springs, irrigation systems and drainage systems; and
- (b) All bodies or accumulations of water, surface and underground, natural or artificial.

Wetland. "Wetland" means an area that is periodically inundated or saturated by surface or groundwater on an annual or seasonal basis, that displays hydric soils, and that typically supports or is capable of supporting hydrophytic vegetation.

Wetlands (COE and EPA) (Regulatory). "Wetlands (COE and EPA)" means the U.S. Army Corps of Engineers (COE) and the U.S. Environmental Protection Agency (EPA) have adopted a regulatory definition for administering the Section 404 permit program of the Clean Water Act (CWA) as follows: [Wetlands are] those areas that are inundated or saturated by surface or groundwater at a frequency and duration sufficient to support, and that under normal circumstances do support, a prevalence of vegetation typically adapted for life in saturated soil conditions. Wetlands generally include swamps, marshes, bogs and similar areas.

Wetlands (NRCS) (Technical). "Wetlands (NRCS)" mean the (U.S. Department of Agriculture) Natural Resources Conservation Service (NRCS) [formerly the Soil Conservation Service (SCS)] uses the following definition for identifying wetlands on agricultural land in assessing farmer eligibility for U.S.

**DRAFT: April 20, 2021**

Department of Agriculture program benefits under the "Swampbuster" provision of the Food Security Act (FSA) of 1985. As amended in 1990, the FSA states that the term "wetland," except when such term is part of the term "converted wetland," means land that:

- (a) Has a predominance of hydric soils;
- (b) Is inundated or saturated by surface or ground water at a frequency and duration sufficient to support a prevalence of hydrophytic vegetation typically adapted for life in saturated soil conditions; and
- (c) Under normal circumstances does support a prevalence of such vegetation.

Will Serve Letter. "Will serve letter" means a letter from a utility purveyor assuring the provision of services for proposed development.

Yard. "Yard" means an open space on the same lot or parcel used with the building, extending from the setback line to the nearest lot line, to be unoccupied and unobstructed except as provided in the Development Code.

Yard, Front. "Front yard" means a yard lying between the setback line and the front lot line and extending across the full width of the lot or parcel. In the case of either a corner lot or an interior lot with multiple street frontages, all yards abutting streets, other than collectors or arterials, shall be considered as front yards.

Yard, Rear. "Rear yard" means a yard between the setback line and the rear lot line and extending across the full width of the lot or parcel. On a corner lot, the side opposite the shortest front yard width is considered the rear yard of the lot.

Yard, Side. "Side yard" means a yard lying between the setback line and the side lot line and extending from the front yard line to the rear yard line.

Zone or Regulatory Zone. "Zone" or "Regulatory Zone" means a portion of the unincorporated area of Washoe County which is specifically designated in Article 106 of this Development Code.

*[Amended by Ord. 867, provisions eff. 5/27/93; Ord. 873, provisions eff. 6/7/93; Ord. 890, provisions eff. 11/29/93; Ord. 893, provisions eff. 3/4/94; Ord. 899, provisions eff. 5/31/94; Ord. 916, provisions eff. retro. to 5/26/93; Ord. 942, provisions eff. 4/1/96; Ord. 965, provisions eff. 10/1/96; Ord. 1076, provisions eff. 10/1/99; Ord. 1088, provisions eff. 1/28/00; Ord. 1089, provisions eff. retro to 1/1/00; Ord. 1091, provisions eff. 4/28/00; Ord. 1102, provisions eff. 8/11/00; Ord. 1112, provisions eff. 2/15/01; Ord. 1140, provisions eff. 12/31/01; Ord. 1156, provisions eff. 3/22/02; Ord. 1234, provisions eff. 05/21/04; Ord. 1238, provisions eff. 6/4/04; Ord. 1288 and 1290, provisions eff. 3/24/06; Ord. 1347, provisions eff. 11/2/07; Ord. 1356, provisions eff. 12/21/07; Ord. 1447, provisions eff. 9/9/10; Ord. 1451, provisions eff. 1/1/11; Ord. 1485, provisions eff. 3/27/12; Ord. 1504, provisions eff. 3/8/13; Ord 1584, provisions eff 8/19/16; Ord 1587, provisions eff. 11/25/16, Ord. 1640, provisions eff 7/19/19.]*

### SECTION 3. General Terms.

1. All actions, proceedings, matters, and things heretofore taken, had and done by the County and its officers not inconsistent with the provisions of this Ordinance are ratified and approved.

**DRAFT: April 20, 2021**

2. The Chair of the Board and officers of the County are authorized and directed to take all action necessary or appropriate to effectuate the provisions of this Ordinance. The District Attorney is authorized to make non-substantive edits and corrections to this Ordinance.
3. All ordinances, resolutions, bylaws and orders, or parts thereof, in conflict with the provisions of this Ordinance are hereby repealed to the extent only of such inconsistency. This repealer shall not be construed to revive any ordinance, resolution, bylaw or order, or part thereof, heretofore repealed.
4. Each term and provision of this Ordinance shall be valid and shall be enforced to the extent permitted by law. If any term or provision of this Ordinance or the application thereof shall be deemed by a court of competent jurisdiction to be in violation of law or public policy, then it shall be deemed modified, ipso facto, to bring it within the limits of validity or enforceability, but if it cannot be so modified, then the offending provision or term shall be excised from this Ordinance. In any event, the remainder of this Ordinance, or the application of such term or provision to circumstances other than those to which it is invalid or unenforceable, shall not be affected.

Passage and Effective Date

Proposed on \_\_\_\_\_ (month) \_\_\_\_\_ (day), 2021.

Proposed by Commissioner \_\_\_\_\_.

Passed on \_\_\_\_\_ (month) \_\_\_\_\_ (day), 2021.

DRAFT: April 20, 2021

Vote:

Ayes:

Nays:

Absent:

---

Bob Lucey, Chair  
Washoe County Commission

ATTEST:

---

Janis Galassini, County Clerk

This ordinance shall be in force and effect from and after the 30th day of the month of July of the year 2021.